



# Sudden Stop Ahead!

Is Your Trailer Equipped with Nev-R-Adjust® Brakes?

Road hazards appear suddenly without warning. With a trailer behind you there's no time to second guess your ability to stop. Proper adjustment is crucial to brake performance. Improperly adjusted trailer brakes can greatly increase stopping distances, potentially putting you and your cargo in harm's way. Nev-R-Adjust® brakes automatically adjust to proper clearances during travel allowing you to stop with confidence. Nev-R-Adjust® eliminates the need for repeated, time consuming manual adjustments.

Choose safe, dependable braking. Equip your trailer with Nev-R-Adjust® brakes from Dexter.

 **NEV-R-ADJUST**  
FORWARD SELF-ADJUSTING ELECTRIC BRAKES



**GEARED FOR INNOVATION SINCE 1960**



10" x 1½"



10" x 2¼"



12" x 2"

# Proven to Reduce Stopping Distance

## REDUCES STOPPING DISTANCE

- When road hazards suddenly present themselves, every second counts. Dexter's Nev-R-Adjust® brakes have been extensively tested and proven to reduce stopping distances up to 50% versus improperly adjusted brakes.

## ELIMINATES ADJUSTMENTS

- During travel, the brakes automatically rotate an adjuster assembly to close the gap caused by lining wear. This eliminates the need for manual brake adjustments while maintaining optimum performance and braking power.

## SAVES TIME & MONEY

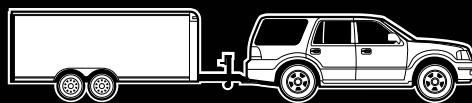
- Nev-R-Adjust® brakes offer a convenient solution that saves trailer owners the time and expense of manual brake adjustments. Because proper adjustment leads to better efficiency from the trailer brakes, wear on the tow vehicle brakes is also greatly reduced.

## RETROFITS TO EXISTING AXLES

- Available as a replacement or upgrade to 10" x 1½", 10" x 2¼", and 12" x 2" electric brakes. These Nev-R-Adjust® brakes are CSA approved.
- 2-Year limited warranty

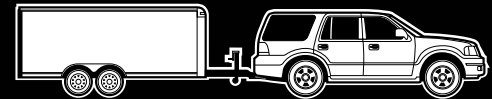


## DEXTER ENGINEERING TEST RESULTS



Trailer with Properly Adjusted Brakes

**STOP IN  
HALF THE  
DISTANCE!**



Trailer with Under Adjusted Brakes

Stopping Distance at 60mph



View the  
Nev-R-Adjust®  
brake video







## Passed SAE J2681 Brake Test



### Exclusives:

- P.R.O.C. Utility Model Patent #ZL201020620633.X
- MAXX COATING on Caliper
- 120° Bleeder Design
- Laser writing on Caliper
- Bolt and Sleeve Design
- Reverse Mount Slip Over Rotor

Every Caliper Is Tested to 2000 psi.



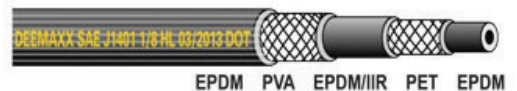
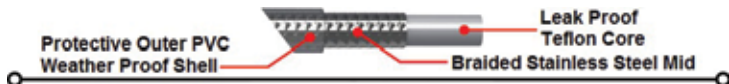
3,500 lbs. - 10,000 lbs.  
Hydraulic Disc Brakes  
Starts on Page B-45

# DEEMAXX

## COMPONENTS, INC

### STAINLESS STEEL BRAIDED

### RUBBER FLEX HOSE



SEE PAGE O-23 FOR YOUR BRAKE LINES

# BRAKES = TABLE OF CONTENTS

## Electric Brake Assemblies<sup>DX</sup>

2,200 lb Capacity.....	B-3
<i>Breakdown</i> .....	B-5
3,500 lb Capacity.....	B-3
<i>Breakdown</i> .....	B-6 - B8
4,400 lb Capacity.....	B-3
<i>Breakdown</i> .....	B-9
6,000 lb Capacity.....	B-3
<i>Breakdown</i> .....	B-10 - B-12
7,000 lb Capacity.....	B-3
<i>Breakdown</i> .....	B-13 - B-14
5,200 - 7,000 lb Capacity.....	B-3 - B-4
<i>Breakdown</i> .....	B-15
7,200 lb Capacity.....	B-4
<i>Breakdown</i> .....	B-16
8,000 lb Capacity.....	B-4
<i>Breakdown</i> .....	B-17 - B-18
9,000 - 10,000 lb General Duty.....	B-19
<i>Breakdown</i> .....	B-20
10,000 - 12,000 lb Alko Heavy Duty.....	B-19
<i>Breakdown</i> .....	B-21
10,000 lb Heavy Duty.....	B-19
<i>Breakdown</i> .....	B-22
12,000 lb Heavy Duty.....	B-19
<i>Breakdown</i> .....	B-23
15,000 lb Heavy Duty.....	B-19
<i>Breakdown</i> .....	B-24

## Hydraulic Drum Brake Assemblies<sup>DX</sup>

3,500 lb Capacity.....	B-25
<i>Breakdown</i> .....	B-28 - B31
6,000 lb Capacity.....	B-25
<i>Breakdown</i> .....	B-32 - B-33
7,000 lb Capacity.....	B-25 - B-26
<i>Breakdown</i> .....	B-34 - B-37
8,000 lb Capacity.....	B-26
<i>Breakdown</i> .....	B-38 - B-39
9,000 - 10,000 lb General Duty.....	B-40
<i>Breakdown</i> .....	B-41
10,000 lb Heavy Duty.....	B-40
<i>Breakdown</i> .....	B-43
12,000 - 15,000 lb Heavy Duty.....	B-40
<i>Breakdown</i> .....	B-44



## Hydraulic Disc Brake Assemblies<sup>DM</sup>

3,500 lb Capacity.....	B-27
<i>Breakdown</i> .....	B-46 - B-47
5,200 - 6,000 lb Capacity.....	B-27
<i>Breakdown</i> .....	B-48 - B-49
7,000 lb Capacity.....	B-27
<i>Breakdown</i> .....	B-50 - B-51
8,000 lb Capacity.....	B-27
<i>Breakdown</i> .....	B-52 - B-53
10,000 - 12,000 lb Capacity <sup>DX</sup> .....	B-27
<i>Breakdown</i> .....	B-54 - B-56

## Air Brake Assemblies<sup>DX</sup>

10,000 - 27,500 lb Capacity.....	B-27
<i>Breakdown</i> .....	B-57 - B-59

## S-Cam Air Brake Components<sup>DX</sup>.....

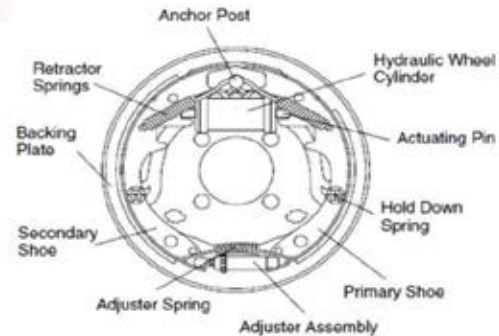




# TRAILER BRAKE TYPES =

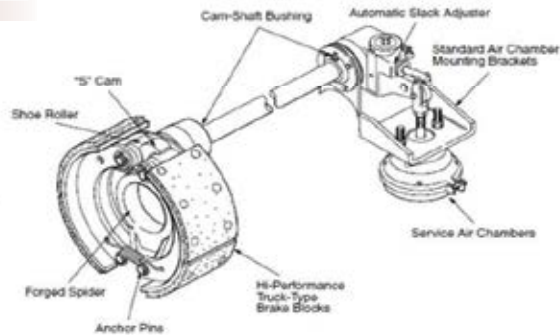
## Electric and Hydraulic, Shoe/Drum

Electric brakes are similar to the hydraulic drum brakes used on automobiles and trucks. While those brakes are actuated by hydraulic pressure, generated by the master cylinder to expand the wheel cylinder, electric brakes function by the action of an electromagnet inside the brake drum. When voltage is sent by the brake controller to the electromagnets, they are attracted to the rotating armature surface of the drum. The sliding friction of the magnets against the armature surface actuates a lever which in turn expands the brake shoes out against the drum surface, much like the action that occurs within a hydraulic brake when the wheel cylinder expands. The braking effort is modulated by varying the amount of voltage supplied to the magnets whereas, hydraulic brakes are controlled by the output pressure of the master cylinder.



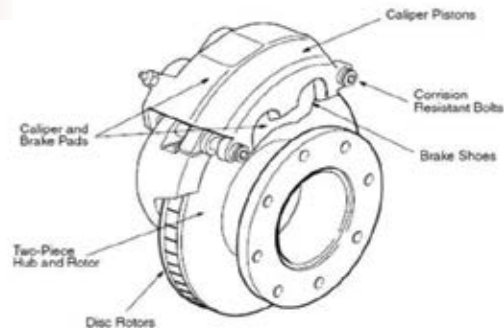
## Air Brakes, Drum Type

This type of brake operates by rotating an 's' shaped cam between the non-anchored ends of the brake shoes, causing them to expand outward and exert pressure against the drum surface. The rotation of the cam shaft is accomplished using an air cylinder called a brake chamber, acting on a lever (the slack adjuster) which also provides a means of adjusting the clearance between the brake shoes and the drum surface. This adjustment compensates for wear and can be done manually or automatically.



## Disc Brakes

Disc brakes employ a component called a rotor which takes the place of the drum in a shoe/drum brake. The rotor or disc as it is sometimes called, is generally machined from a special grade of cast iron and has integrally cast fins to help dissipate heat. The braking force comes from a clamshell-like structure called the brake caliper which is attached to the axle. Friction pads are fixed to one of the opposing surfaces inside the clamshell while the opposite side pad is attached to the end of a hydraulic cylinder built into the structure. The caliper is positioned to straddle the rotating disc. When hydraulic fluid extends the cylinder, the caliper grips the rotor to generate the braking effort.













TRAILER BRAKE TYPES

# ELECTRIC BRAKE ASSEMBLIES






**AL-KO**  
GENUINE PARTS  
BY DEXTER

DESCRIPTION	7" x 1/4"	10" x 2 1/4"	10" x 2 1/4"	10" x 2 1/4"	10" x 2 1/4"
CAPACITY PER PAIR	2.2K	3.5K	3.5K <b>NEV-R-ADJUST</b>	3.5K	4.4K
BOXED LEFT HAND ITEM NO.	-	6400030-03	-	-	-
BOXED LEFT HAND ID NO.	-	K23-026-00	-	-	-
BOXED RIGHT HAND ITEM NO.	-	6400033-01	-	-	-
BOXED RIGHT HAND ID NO.	-	K23-027-00	-	-	-
LEFT HAND ITEM NO.	6400026	6400030	6400102	REPAIR PARTS ONLY	6400133
LEFT HAND ID NO.	023-047-00	023-026-00	023-468-00	K363393.1	023-462-00
RIGHT HAND ITEM NO.	6400027	6400033	6400103	REPAIR PARTS ONLY	6400134
RIGHT HAND ID NO.	023-048-00	023-027-00	023-469-00	K363393.2	023-463-00
MAGNET KIT					
ITEM NO.	6450170-01	6450165-01	6450165-01	6450165-01	6450161-01
ID NO.	K71-057-00	K71-104-00	K71-104-00	K71-104-00	K71-125-00
SHOE & LINING KIT					
LEFT HAND ITEM NO.	6450075	6450066	6450293	6450069	6450064
LEFT HAND ID NO.	K71-045-00	K71-047-00	K71-681-00	K568112	K71-672-00
RIGHT HAND ITEM NO.	6450075	6450066	6450294	6450069	6450064
RIGHT HAND ID NO.	K71-045-00	K71-047-00	K71-682-00	K568112	K71-672-00
<b>Complete Breakdown on:</b>	<b>Page B-5</b>	<b>Page B-6</b>	<b>Page B-7</b>	<b>Page B-8</b>	<b>Page B-9</b>





**D-Park**  
DEXTER AXLE

DESCRIPTION	12" x 2"	12" x 2"	12" x 2"	12" x 2"	12" x 2"
CAPACITY PER PAIR	6K	5.2-6K	6K <b>NEV-R-ADJUST</b>	7K	7K <b>NEV-R-ADJUST</b>
BOXED LEFT HAND ITEM NO.	6400010-01	-	6400081-03	6400037-03	6400083-03
BOXED LEFT HAND ID NO.	K23-105-00	-	K23-458-00	K23-180-00	K23-464-00
BOXED RIGHT HAND ITEM NO.	6400036-01	-	6400082-03	6400038-03	6400084-03
BOXED RIGHT HAND ID NO.	K23-106-00	-	K23-459-00	K23-181-00	K23-465-00
LEFT HAND ITEM NO.	6400010	6400110	6400081	6400037	6400083
LEFT HAND ID NO.	023-105-00	023-112-00	023-458-00	023-180-00	023-464-00
RIGHT HAND ITEM NO.	6400036	6400111	6400082	6400038	6400084
RIGHT HAND ID NO.	023-106-00	023-113-00	023-459-00	023-181-00	023-465-00
MAGNET KIT					
ITEM NO.	6450166-01	6450166-01	6450166-01	6450161-01	6450161-01
ID NO.	K71-105-00	K71-105-00	K71-105-00	K71-125-00	K71-125-00
SHOE & LINING KIT					
LEFT HAND ITEM NO.	6450084	6450084	6450309	6450084	6450311
LEFT HAND ID NO.	K71-127-00	K71-127-00	K71-673-00	K71-127-00	K71-675-00
RIGHT HAND ITEM NO.	6450084	6450084	6450310	6450084	6450312
RIGHT HAND ID NO.	K71-127-00	K71-127-00	K71-674-00	K71-127-00	K71-676-00
<b>Complete Breakdown on:</b>	<b>Page B-10</b>	<b>Page B-11</b>	<b>Page B-12</b>	<b>Page B-13</b>	<b>Page B-14</b>

ELECTRIC BRAKE ASSEMBLIES

# ELECTRIC BRAKE ASSEMBLIES



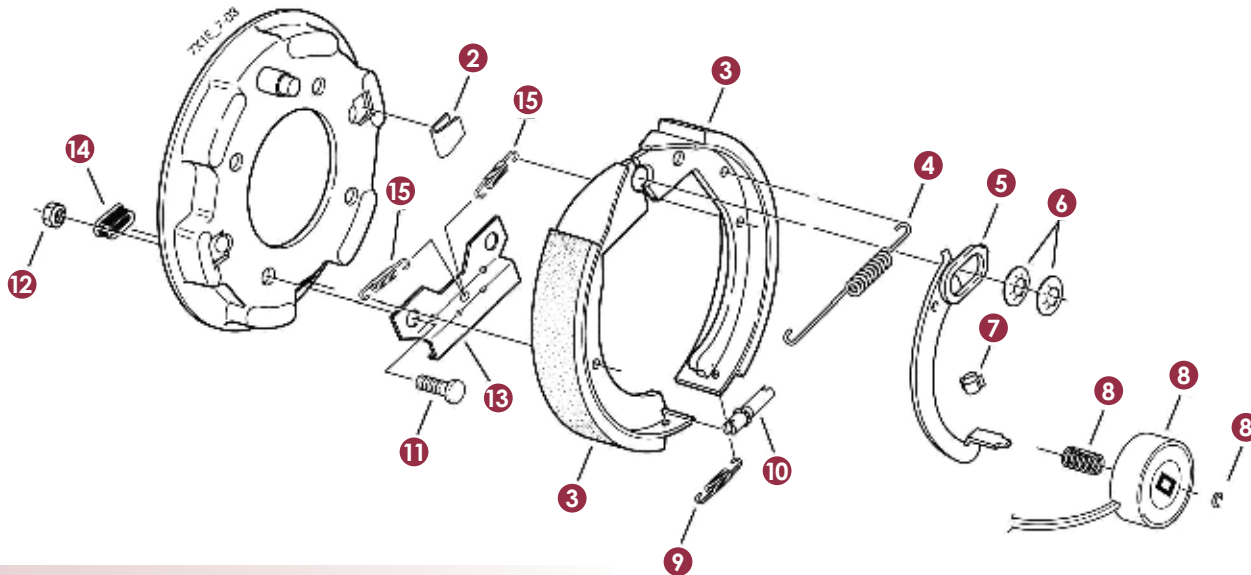
DESCRIPTION	12" x 2"	12 1/4" x 2 1/2"	12" x 3 3/8"	12 1/4" x 3 3/8"	12 1/4" x 3 3/8"
CAPACITY PER PAIR	6K	7.2K	8K	8K 	9-10K GD 
BOXED LEFT HAND ITEM NO.	-	-	-	-	6400044-01
BOXED LEFT HAND ID NO.	-	-	-	-	K23-450-00
BOXED RIGHT HAND ITEM NO.	-	-	-	-	6400045-01
BOXED RIGHT HAND ID NO.	-	-	-	-	K23-451-00
LEFT HAND ITEM NO.	6400121	6400057	6400056	6400039	6400044
LEFT HAND ID NO.	023-105-09	023-428-00	K363601	023-434-00	023-450-00
RIGHT HAND ITEM NO.	6400122	6400058	6400055	6400040	6400045
RIGHT HAND ID NO.	023-106-09	023-429-00	K363602	023-435-00	023-451-00
MAGNET KIT					
ITEM NO.	6450288	6450160-01	6450162	6450173-01	6450174-01
ID NO.	K568111	K71-441-00	K568252	K71-375-00	K71-376-00
SHOE & LINING KIT					
LEFT HAND ITEM NUMBER	6450072	6450289	6450057	6450059	6450059
LEFT HAND ID NO.	K568126	K71-497-00	K363924	K71-499-00	K71-499-00
RIGHT HAND ITEM NUMBER	6450072	6450290	6450057	6450060	6450060
RIGHT HAND ID NO.	K568126	K71-496-00	K363924	K71-498-00	K71-498-00
<b>Complete Breakdown on:</b>	<b>Page B-15</b>	<b>Page B-16</b>	<b>Page B-17</b>	<b>Page B-18</b>	<b>Page B-20</b>



DESCRIPTION	12 1/4" x 3 1/2"	12 1/4" x 4"	12 1/4" x 5"	12 1/4" x 5"
CAPACITY PER PAIR	10-12K	10K	12K	15K
LEFT HAND ITEM NUMBER	6400005	6400019	6400023	6400025
LEFT HAND ID NO.	K568255.2	023-438-00	023-442-00	023-446-00
RIGHT HAND ITEM NUMBER	6400053	6400018	6400022	6400024
RIGHT HAND ID NO.	K568255.1	023-439-00	023-443-00	023-447-00
MAGNET KIT				
ITEM NUMBER	6450162	6450174-01	6450169-01	6450183-01
ID NO.	K568252	K71-376-00	K71-377-00	K71-378-00
SHOE & LINING KIT				
LEFT HAND ITEM NUMBER	6450156	6450041	6450048	6450048
LEFT HAND ID NO.	K568251	K71-501-00	K71-503-00	K71-503-00
RIGHT HAND ITEM NUMBER	6450156	6450042	6450047	6450047
RIGHT HAND ID NO.	K568251	K71-500-00	K71-502-00	K71-502-00
<b>Complete Breakdown on:</b>	<b>Page B-21</b>	<b>Page B-22</b>	<b>Page B-23</b>	<b>Page B-24</b>



# 2,200 LB. • 7" X 1 1/4" ELECTRIC BRAKE ASSEMBLY



- This brake is rated to a maximum capacity of 2,200 lbs. / pair
- Torflex CSA Approved at 2,000#/11.3 SLR; 2,200#/10.2 SLR
- Sprung CSA Approved at 2,000#/12.8 SLR; 2,200#/10.2 SLR

REF. NO.	ITEM NO.	ID NO.	QTY.*	DESCRIPTION
1-1	6400026	023-047-00	1	LH COMPLETE BRAKE ASSEMBLY
1-2	6400027	023-048-00	1	RH COMPLETE BRAKE ASSEMBLY
2	6450303	046-023-00	2	SHOE HOLD DOWN CLIP
3	6450075	K71-045-00	1	SHOE & LINING KIT
4	6450304	046-024-00	1	RETRACTOR SPRING
5	6450004	047-114-04	1	LH ACTUATING LEVER ARM
5	6450005	047-115-04	1	RH ACTUATING LEVER ARM
6	-	046-030-00	2	ANCHOR POST CLIP
7	6450099	027-005-00	1	WIRE CLIP
8	6450170-01	K71-057-00	1	MAGNET KIT
9	6450302	046-022-00	1	ADJUSTING SCREW SPRING
10	6450301	043-021-00	1	ADJUSTING SCREW
11	6450241	007-041-00	4	BRAKE MOUNTING BOLT- PRESS IN
12**	6450181	006-017-00	4	BRAKE MOUNTING NUT
13	-	064-001-00	1	STABILIZER BRACKET
14	6450038	046-007-00	1	ADJUSTER SLOT PLUG
15	6450305	046-114-00	2	SHOE CENTERING SPRING



1-1



1-2

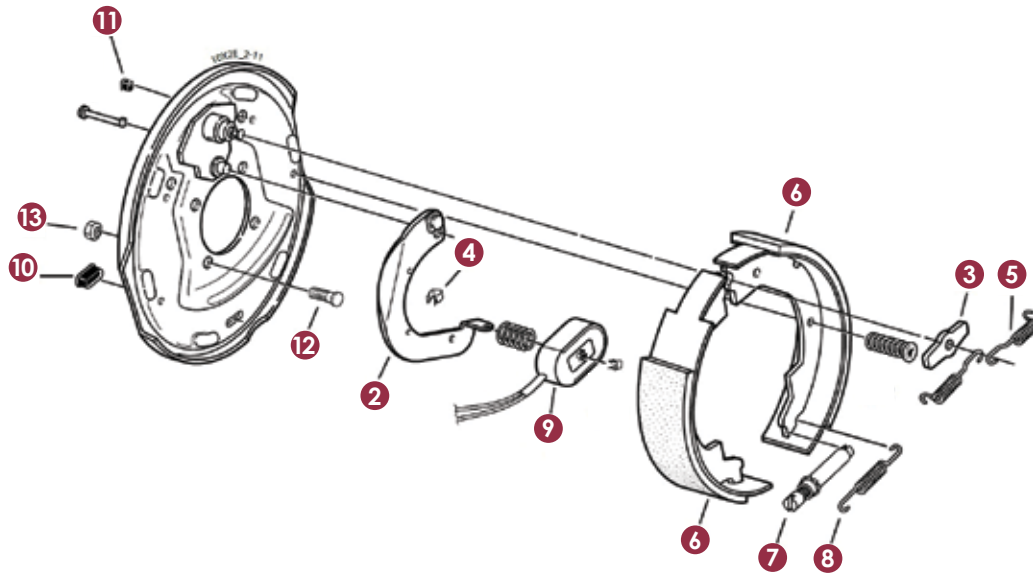
\* Quantity per brake. \*\* Item Sold Separately.



ELECTRIC BRAKE ASSEMBLIES



# 3,500 LBS. • 10" X 2 1/4" ELECTRIC BRAKE ASSEMBLY



- This brake is rated to a maximum capacity of 3,500 lbs. / pair
- CSA Approved at 3,500#/13.3 SLR



1-1



1-2

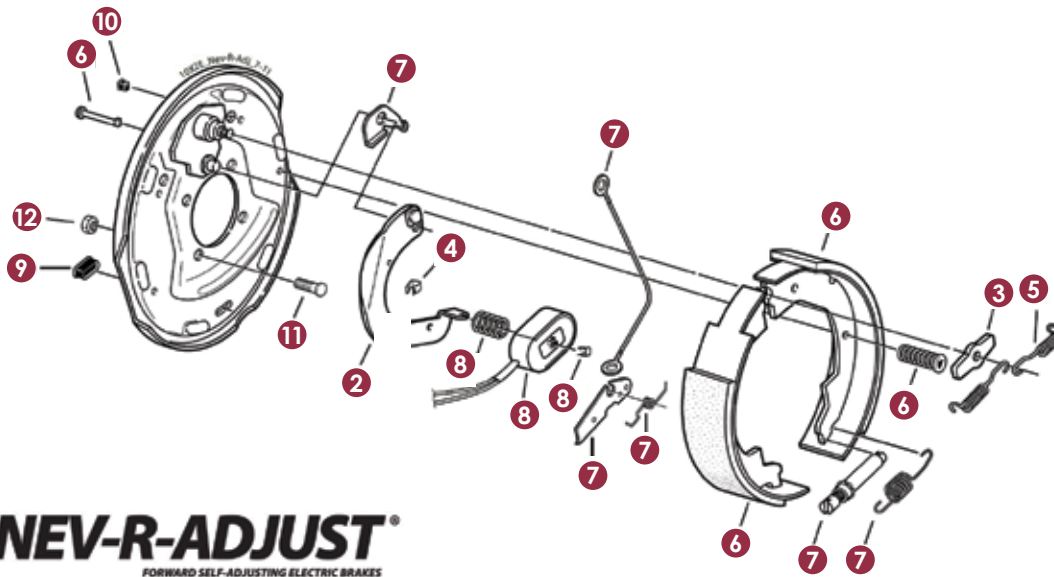
REF. NO.	ITEM NO.	ID NO.	QTY.*	DESCRIPTION
1-1	6400030	023-026-00	1	LH COMPLETE BRAKE ASSEMBLY
1-2	6400033	023-027-00	1	RH COMPLETE BRAKE ASSEMBLY
1-1	6400030-03	K23-026-00	1	LH BOXED COMPLETE BRAKE ASSY
1-2	6400033-01	K23-027-00	1	RH BOXED COMPLETE BRAKE ASSY
2	6450133	047-019-05	1	LH ACTUATING LEVER ARM
2	6450134	047-020-05	1	RH ACTUATING LEVER ARM
3	6450248	005-067-00	1	WASHER
4	6450099	027-005-00	2	WIRE CLIP
5	6450228	046-009-00	2	RETRACTOR SPRING
6	6450066	K71-047-00	1	SHOE & LINING KIT
7	6450007	043-004-00	1	ADJUSTER ASSEMBLY
8	6450226	046-018-00	1	ADJUSTING SCREW SPRING
9	6450165-01	K71-104-00	1	MAGNET KIT
10	6450038	046-007-00	2	ADJUSTER SLOT PLUG
11	6450001	046-016-00	1	WIRE GROMMET
12	6450241	007-041-00	4	BRAKE MOUNTING BOLT - PRESS IN
13**	6450181	006-017-00	4	BRAKE MOUNTING NUT

\* Quantity per brake. \*\* Item Sold Separately.



ELECTRIC BRAKE ASSEMBLIES

# 3,500 LBS. • 10" X 2 1/4" ELECTRIC FSA BRAKE ASSEMBLY



**NEV-R-ADJUST**  
FORWARD SELF-ADJUSTING ELECTRIC BRAKES

- This brake is rated to a maximum capacity of 3,500 lbs. / pair
- CSA Approved at 3,500#/13.3 SLR

REF NO.	ITEM NO.	ID NO.	QTY.*	DESCRIPTION
1-1	6400102	023-468-00	1	LH COMPLETE BRAKE ASSEMBLY
1-2	6400103	023-469-00	1	RH COMPLETE BRAKE ASSEMBLY
2	6450133	047-019-05	1	LH ACTUATING LEVER ARM
2	6450134	047-020-05	1	RH ACTUATING LEVER ARM
3	6450248	005-067-00	1	WASHER
4	6450099	027-005-00	2	WIRE CLIP
5	6450228	046-009-00	2	RETRACTOR SPRING
6-1	6450293	K71-681-00	1	LH SHOE & LINING KIT
6-2	6450294	K71-682-00	1	RH SHOE & LINING KIT
7	6450352	K71-703-00	1	COMPLETE FSA BRAKE ADJUST KIT
8	6450165-01	K71-104-00	1	MAGNET KIT
9	6450038	046-007-00	2	ADJUSTER SLOT PLUG
10	6450001	046-016-00	1	WIRE GROMMET
11	6450241	007-041-00	4	BRAKE MOUNTING BOLT - PRESS IN
12**	6450181	006-017-00	4	BRAKE MOUNTING NUT

\* Quantity per brake. \*\* Item Sold Separately.



1-1



1-2

ELECTRIC BRAKE ASSEMBLIES

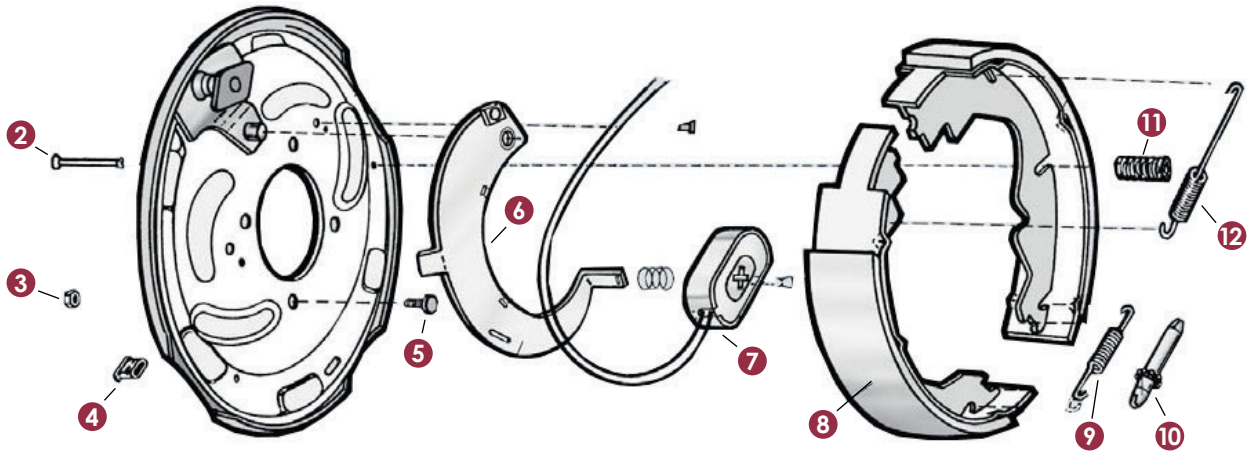
MADE IN  
 U. S. A.





# 3,500 LBS. • 10" X 2 1/4" ELECTRIC BRAKE ASSEMBLY

**2 YEAR WARRANTY**



• This brake is rated to a maximum capacity of 3,500 lbs. / pair



1-1



1-2

REF NO.	ITEM NO.	ID NO.	QTY.*	DESCRIPTION
1-1	6400006	363383.1	1	LH COMPLETE BRAKE ASSEMBLY
1-2	6400007	363383.2	1	RH COMPLETE BRAKE ASSEMBLY
2	6450186	049-002-00	1	BRAKE SHOE HOLD DOWN PIN
3**	6450181	006-017-00	4	BRAKE MOUNTING NUT
4	6450038	046-007-00	1	ADJUSTER SLOT PLUG
5	6450241	007-041-00	4	BRAKE MOUNTING STUD - PRESS IN
6	-	568122	1	LH ACTUATING LEVER ARM
6	-	568121	1	RH ACTUATING LEVER ARM
7	6450165-01	K71-104-00	1	MAGNET KIT
8	6450069	K568112	1	SHOE & LINING KIT
9	6450226	046-018-00	1	ADJUSTER SCREW SPRING
10	6450007	043-004-00	1	ADJUSTER SCREW
11	6450222	046-077-00	1	SPRING & CUP HOLD DOWN
12	6450214	9650603	1	RETRACTOR SPRING

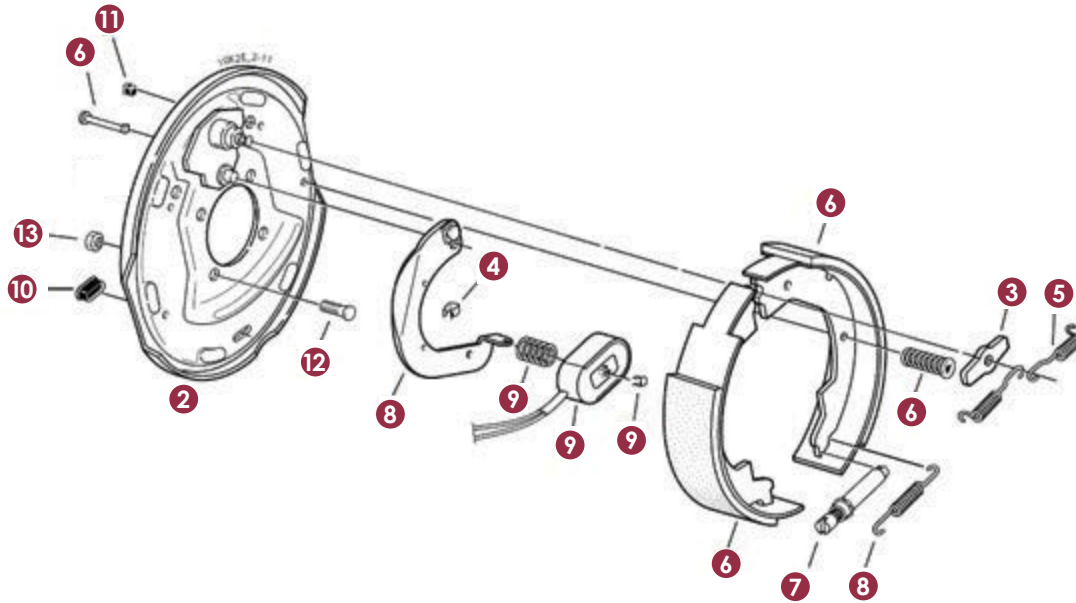
\* Quantity per brake. \*\* Item Sold Separately.

**AL-KO**  
GENUINE PARTS  
By DEXTER

MADE IN  
  
U. S. A.

ELECTRIC BRAKE ASSEMBLIES

# 4,400 LBS. • 10" X 2 1/4" ELECTRIC BRAKE ASSEMBLY



- This brake is rated to a maximum capacity of 4,400 lbs. / pair
- CSA Approved at 4,400#/13.0 SLR

REF NO.	ITEM NO.	ID NO.	QTY.*	DESCRIPTION
1-1	6400133	023-462-00	1	LH COMPLETE BRAKE ASSEMBLY
1-2	6400134	023-463-00	1	RH COMPLETE BRAKE ASSEMBLY
2	6450133	047-019-05	1	LH ACTUATING LEVER ARM
2	6450134	047-020-05	1	RH ACTUATING LEVER ARM
3	6450248	005-067-00	1	WASHER
4	6450099	027-005-00	2	WIRE CLIP
5	6450228	046-009-00	2	RETRACTOR SPRING
6	6450064	K71-672-00	1	SHOE & LINING KIT
7	6450007	043-004-00	1	ADJUSTER SCREW
8	6450226	046-018-00	1	ADJUSTER SCREW SPRING
9	6450161-01	K71-125-00	1	MAGNET KIT
10	6450038	046-007-00	2	ADJUSTER SLOT PLUG
11	6450001	046-016-00	1	WIRE GROMMET
12	6450241	007-041-00	4	BRAKE MOUNTING BOLT - PRESS IN
13**	6450181	006-017-00	4	BRAKE MOUNTING NUT

\* Quantity per brake. \*\* Item Sold Separately.



1-1

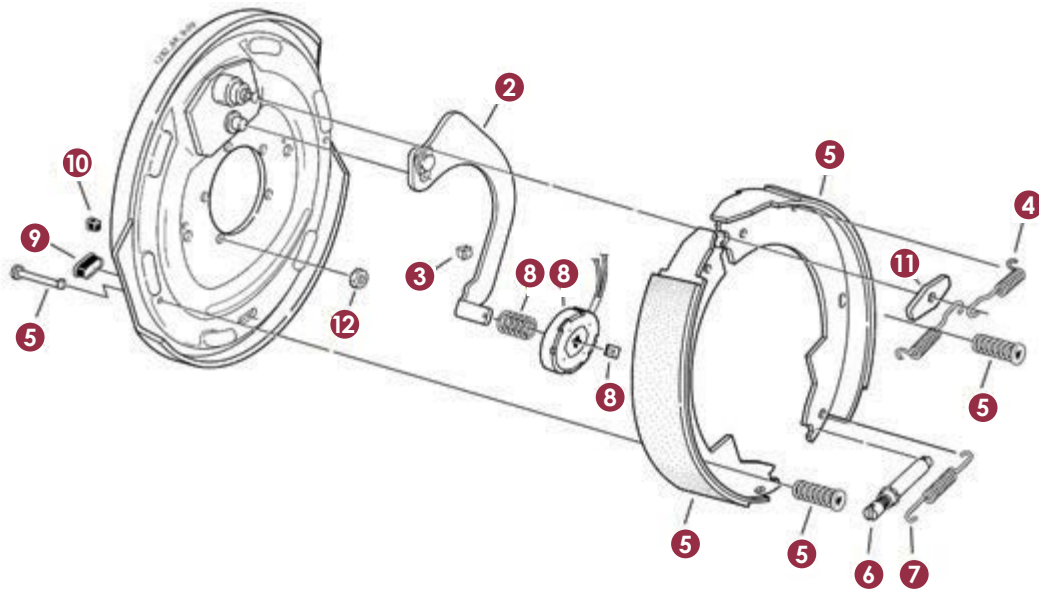


1-2

ELECTRIC BRAKE ASSEMBLIES



# 6,000 LBS. • 12" X 2" ELECTRIC BRAKE ASSEMBLY =



- This brake is rated to a maximum capacity of 6,000 lbs. / pair
- CSA Approved at 6,000#/14.2 SLR



1-1



1-2

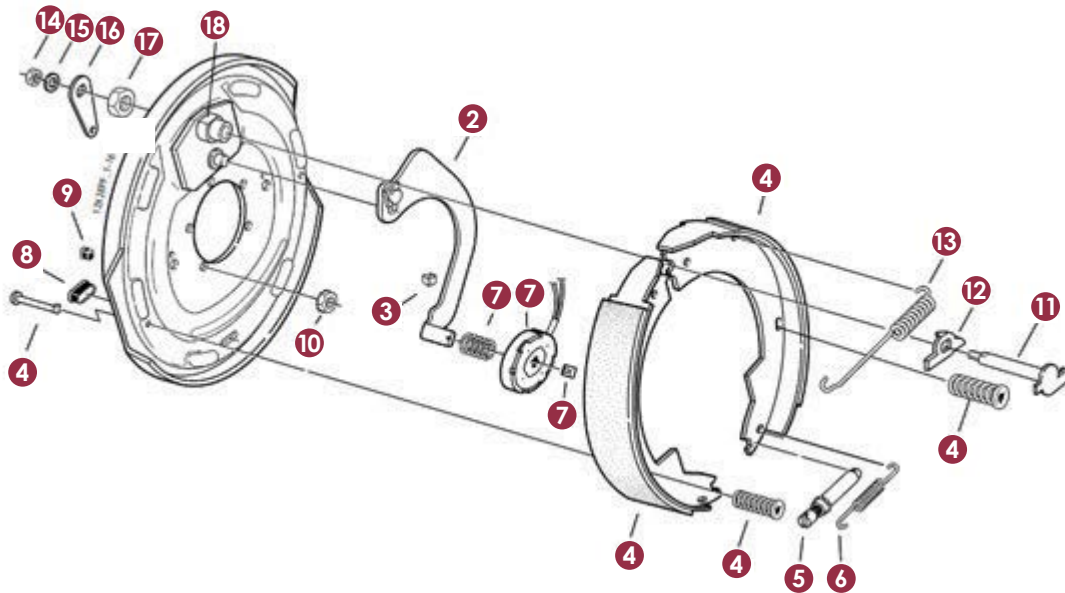
REF NO.	ITEM NO.	ID NO.	QTY.*	DESCRIPTION
1-1	6400010	023-105-00	1	LH COMPLETE BRAKE ASSEMBLY
1-2	6400036	023-106-00	1	RH COMPLETE BRAKE ASSEMBLY
1-1	6400010-01	K23-105-00	1	LH BOXED COMPLETE BRAKE ASSY
1-2	6400036-01	K23-106-00	1	RH BOXED COMPLETE BRAKE ASSY
2	6450135	047-107-05	1	LH ACTUATING LEVER ARM
2	6450136	047-108-05	1	RH ACTUATING LEVER ARM
3	6450099	027-005-00	2	WIRE CLIP
4	6450228	046-009-00	2	RETRACTOR SPRING
5	6450084	K71-127-00	1	SHOE & LINING KIT
6	6450007	043-004-00	1	ADJUSTER ASSEMBLY
7	6450226	046-018-00	1	ADJUSTING SCREW SPRING
8	6450166-01	K71-105-00	1	MAGNET KIT
9	6450038	046-007-00	2	ADJUSTER SLOT PLUG
10	6450001	046-016-00	1	WIRE GROMMET
11	6450248	005-067-00	1	ANCHOR POST WASHER
12**	6450308	006-193-00	5	BRAKE MOUNTING NUT

\* Quantity per brake. \*\* Item Sold Separately.





# 6,000 LBS. • 12" X 2" ELECTRIC W/PARK FEATURE BRAKE ASSEMBLY



- This brake is rated to a maximum capacity of 6,000 lbs. / pair
- CSA Approved at 6,000#/14.2 SLR

REF NO.	ITEM NO.	ID NO.	QTY.*	DESCRIPTION
1-1	6400110	023-112-00	1	LH COMPLETE BRAKE ASSEMBLY
1-2	6400111	023-113-00	1	RH COMPLETE BRAKE ASSEMBLY
2	6450135	047-107-05	1	LH ACTUATING LEVER ARM
2	6450136	047-108-05	1	RH ACTUATING LEVER ARM
3	6450099	027-005-00	2	WIRE CLIP
4	6450084	K71-127-00	1	SHOE & LINING KIT
5	6450007	043-004-00	1	ADJUSTER SCREW
6	6450226	046-018-00	1	ADJUSTING SCREW SPRING
7	6450166-01	K71-105-00	1	MAGNET KIT
8	6450038	046-007-00	2	ADJUSTER SLOT PLUG
9	6450001	046-016-00	1	WIRE GROMMET
10**	6450308	006-193-00	5	BRAKE MOUNTING NUT
11	-	039-025-00	1	LH PIVOT PIN & CAM SUB-ASSEMBLY
11	-	039-026-00	1	RH PIVOT PIN & CAM SUB-ASSEMBLY
12	-	039-048-00	1	LH ACTUATING CAM
12	-	039-049-00	1	RH ACTUATING CAM
13	-	045-005-00	1	RETRACTOR SPRING
14	9000143	006-011-00	1	PIVOT PIN LOCKNUT
15	-	005-041-00	1	WASHER
16	-	047-070-00	1	PARKING BRAKE LEVER
17	9000139	006-047-00	1	ANCHOR POST LOCKNUT
18	-	038-068-00	1	ANCHOR POST & BUSHING SUB-ASSEMBLY



1-1



1-2

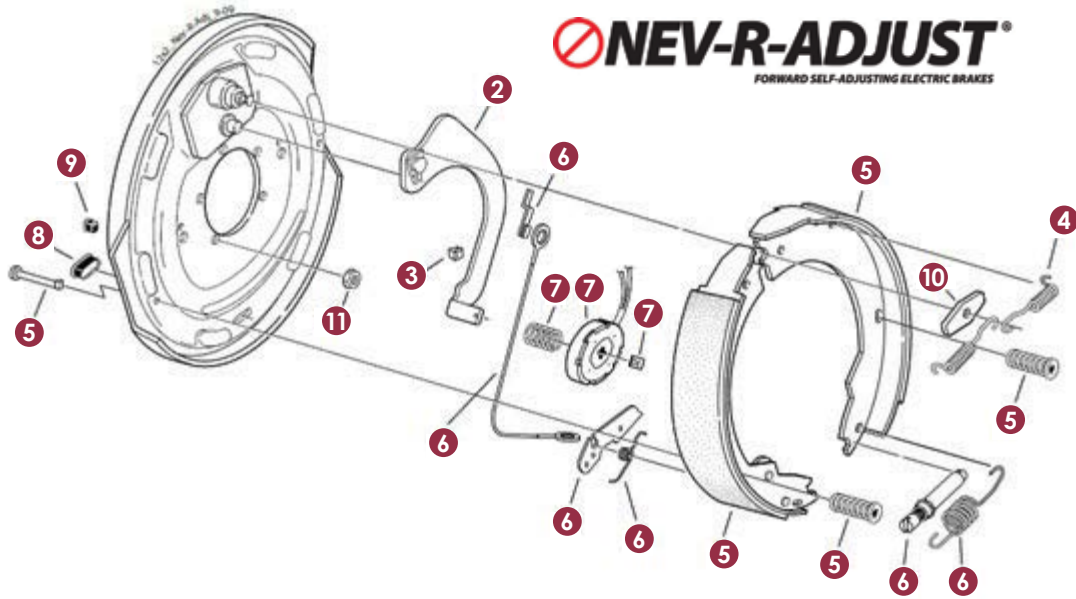
\* Quantity per brake. \*\* Item Sold Separately.



# 6,000 LBS. • 12" X 2" ELECTRIC FSA BRAKE ASSEMBLY =



**NEV-R-ADJUST**  
FORWARD SELF-ADJUSTING ELECTRIC BRAKES



- This brake is rated to a maximum capacity of 6,000 lbs. / pair
- CSA Approved at 6,000#/14.2 SLR



1-1



1-2

REF NO.	ITEM NO.	ID NO.	QTY.*	DESCRIPTION
1-1	6400081	023-458-00	1	LH COMPLETE BRAKE ASSEMBLY
1-2	6400082	023-459-00	1	RH COMPLETE BRAKE ASSEMBLY
1-1	6400081-03	K23-458-00	1	LH BOXED COMPLETE BRAKE ASSY
1-2	6400082-03	K23-459-00	1	RH BOXED COMPLETE BRAKE ASSY
2	6450135	047-107-05	1	LH ACTUATING LEVER ARM
2	6450136	047-108-05	1	RH ACTUATING LEVER ARM
3	6450099	027-005-00	2	WIRE CLIP
4	6450228	046-009-00	2	RETRACTOR SPRING
5-1	6450309	K71-673-00	1	LH SHOE & LINING KIT
5-2	6450310	K71-674-00	1	RH SHOE & LINING KIT
6	6451003	K71-679-00	1	COMPLETE FSA BRAKE ADJUST KIT
7	6450166-01	K71-105-00	1	MAGNET KIT
8	6450038	046-007-00	2	ADJUSTER SLOT PLUG
9	6450001	046-016-00	1	WIRE GROMMET
10	6450248	005-067-00	1	ANCHOR POST WASHER
11**	6450308	006-193-00	5	BRAKE MOUNTING NUT

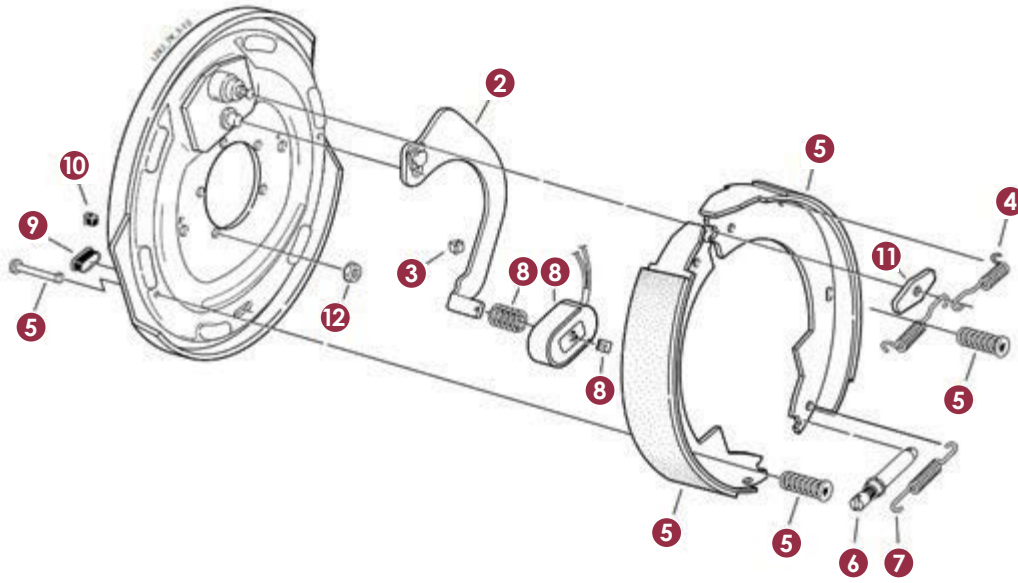
\* Quantity per brake. \*\* Item Sold Separately.

MADE IN  
 U. S. A.



ELECTRIC BRAKE ASSEMBLIES

# 7,000 LBS. • 12" X 2" ELECTRIC BRAKE ASSEMBLY



- This brake is rated to a maximum capacity of 7,000 lbs. / pair
- CSA Approved at 7,000#/13.8 SLR

REF NO.	ITEM NO.	ID NO.	QTY.*	DESCRIPTION
1-1	6400037	023-180-00	1	LH COMPLETE BRAKE ASSEMBLY
1-2	6400038	023-181-00	1	RH COMPLETE BRAKE ASSEMBLY
1-1	6400037-03	K23-180-00	1	LH BOXED COMPLETE BRAKE ASSY
1-2	6400038-03	K23-181-00	1	RH BOXED COMPLETE BRAKE ASSY
2	6450135	047-107-05	1	LH ACTUATING LEVER ARM
2	6450136	047-108-05	1	RH ACTUATING LEVER ARM
3	6450099	027-005-00	2	WIRE CLIP
4	6450228	046-009-00	2	RETRACTOR SPRING
5	6450084	K71-127-00	1	SHOE & LINING KIT
6	6450007	043-004-00	1	ADJUSTER ASSEMBLY
7	6450226	046-018-00	1	ADJUSTING SCREW SPRING
8	6450161-01	K71-125-00	1	MAGNET KIT
9	6450038	046-007-00	2	ADJUSTER SLOT PLUG
10	6450001	046-016-00	1	WIRE GROMMET
11	6450248	005-067-00	1	ANCHOR POST WASHER
12**	6450308	006-193-00	5	BRAKE MOUNTING NUT

\* Quantity per brake. \*\* Item Sold Separately.



1-1



1-2

ELECTRIC BRAKE ASSEMBLIES

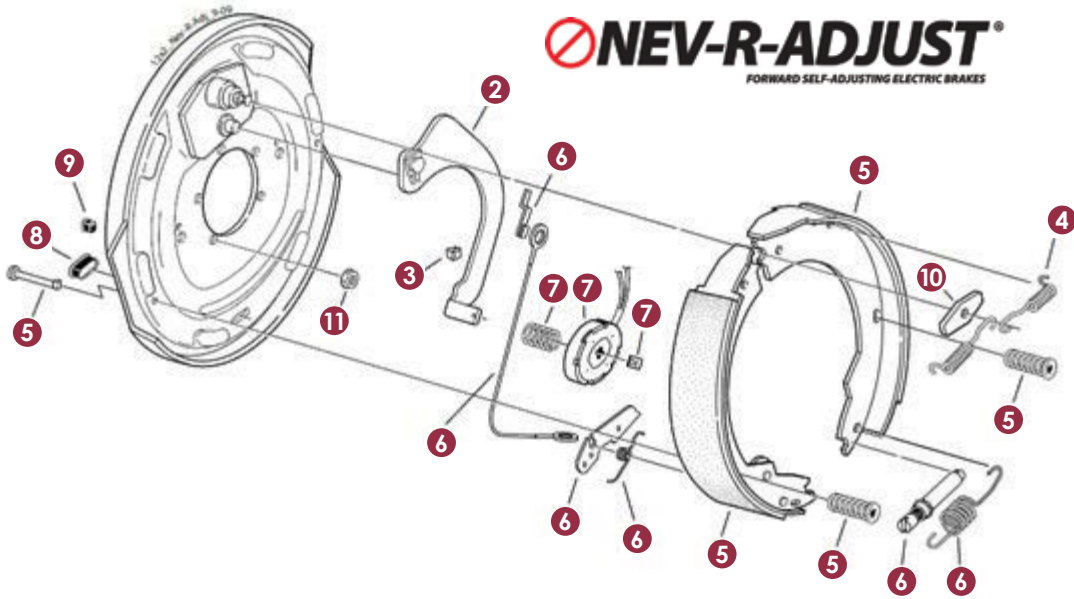




# 7,000 LBS. • 12" X 2" ELECTRIC FSA BRAKE ASSEMBLY =



**NEV-R-ADJUST®**  
FORWARD SELF-ADJUSTING ELECTRIC BRAKES



- This brake is rated to a maximum capacity of 7,000 lbs. / pair
- CSA Approved at 7,000#/13.8 SLR



1-1



1-2

REF NO.	ITEM NO.	ID NO.	QTY.*	DESCRIPTION
1-1	6400083	023-464-00	1	LH COMPLETE BRAKE ASSEMBLY
1-2	6400084	023-465-00	1	RH COMPLETE BRAKE ASSEMBLY
1-1	6400083-03	K23-464-00	1	LH BOXED COMPLETE BRAKE ASSY
1-2	6400084-03	K23-465-00	1	RH BOXED COMPLETE BRAKE ASSY
2	6450135	047-107-05	1	LH ACTUATING LEVER ARM
2	6450136	047-108-05	1	RH ACTUATING LEVER ARM
3	6450099	027-005-00	2	WIRE CLIP
4	6450228	046-009-00	2	RETRACTOR SPRING
5-1	6450311	K71-675-00	1	LH SHOE & LINING KIT
5-2	6450312	K71-676-00	1	RH SHOE & LINING KIT
6	6451003	K71-679-00	1	COMPLETE FSA BRAKE ADJUST KIT
7	6450161-01	K71-125-00	1	MAGNET KIT
8	6450038	046-007-00	2	ADJUSTER SLOT PLUG
9	6450001	046-016-00	1	WIRE GROMMET
10	6450248	005-067-00	1	ANCHOR POST WASHER
11**	6450308	006-193-00	5	BRAKE MOUNTING NUT

\* Quantity per brake. \*\* Item Sold Separately.

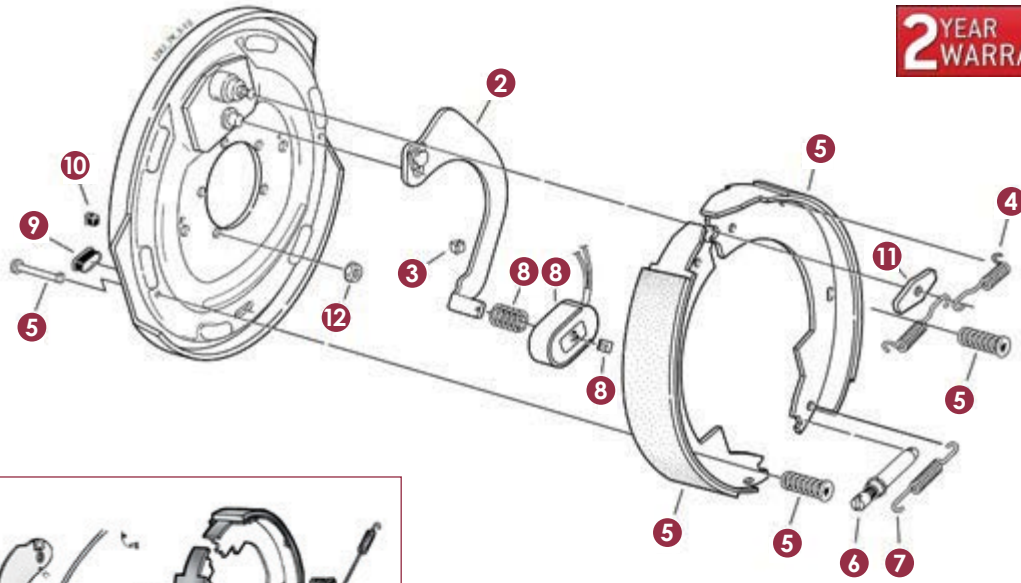
MADE IN  
 U. S. A.



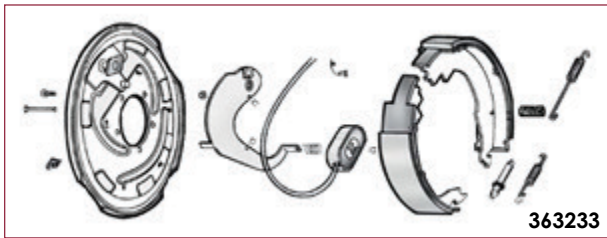
ELECTRIC BRAKE ASSEMBLIES

# 6,000 LBS. • 12" X 2" ELECTRIC BRAKE (9 MOUNTING HOLES) =

**2** YEAR WARRANTY



**AL-KO**



- Items 1-1 and 1-2 below from Dexter will fit an AL-KO Axle.
- The AL-KO 363233 Assembly is not available.

• This brake is rated to a maximum capacity of 5,200 - 7,000 lbs. / pair

REF NO.	ITEM NO.	ID NO.	QTY.*	DESCRIPTION
1-1	6400121	023-105-09	1	LH COMPLETE BRAKE ASSEMBLY
1-2	6400122	023-106-09	1	RH COMPLETE BRAKE ASSEMBLY
2	6450135	047-107-05	1	LH ACTUATING LEVER ARM
2	6450136	047-108-05	1	RH ACTUATING LEVER ARM
3	6450099	027-005-00	2	WIRE CLIP
4	6450228	046-009-00	2	RETRACTOR SPRING
5-1	6450084	K71-127-00	1	DEXTER SHOE & LINING KIT
5-2	6450072	K568126	1	ALKO SHOE & LINING KIT
6	6450007	043-004-00	1	ADJUSTER ASSEMBLY
7	6450226	046-018-00	1	ADJUSTING SCREW SPRING
8	6450161-01	K71-125-03	1	DEXTER MAGNET KIT
8	6450288	K568111	1	ALKO MAGNET KIT
9	6450038	046-007-00	2	ADJUSTER SLOT PLUG
10	6450001	046-016-00	1	WIRE GROMMET
11	6450248	005-067-00	1	ANCHOR POST WASHER
12**	6450308	006-193-00	5	BRAKE MOUNTING NUT

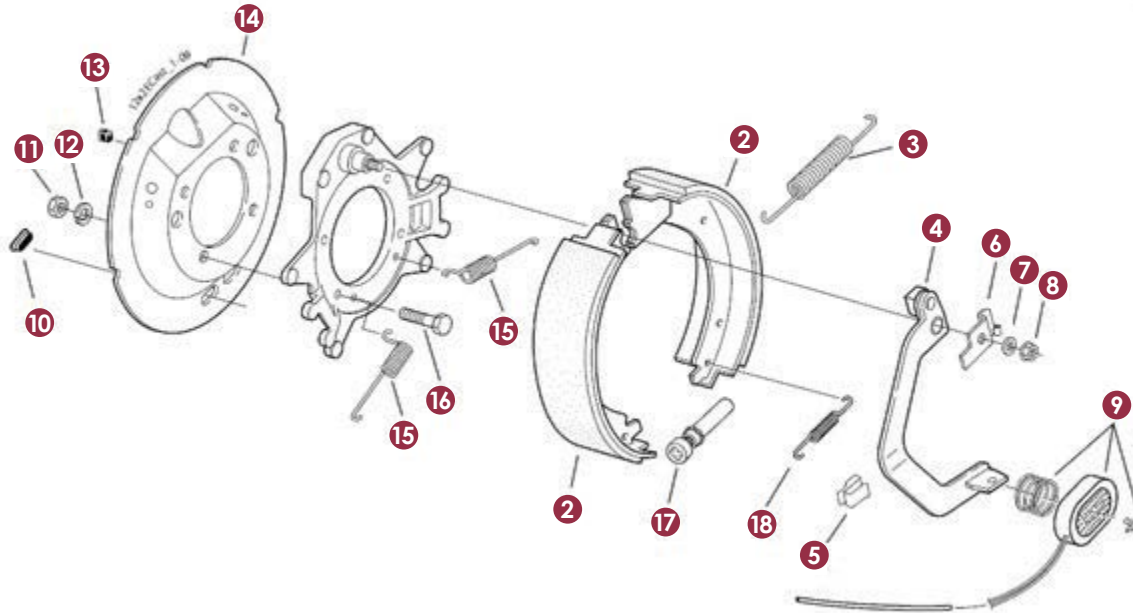
\* Quantity per brake. \*\* Item Sold Separately.



ELECTRIC BRAKE ASSEMBLIES

**AL-KO**  
GENUINE PARTS  
By DEXTER  
MADE IN  
U. S. A.

# 7,200 LBS. • 12 1/4" X 2 1/2" ELECTRIC BRAKE ASSEMBLY



- This brake is rated to a maximum capacity of 7,200 lbs. / pair
- CSA Approved at 7,100#/14.2 SLR



1-1



1-2

REF NO.	ITEM NO.	ID NO.	QTY.*	DESCRIPTION
1-1	6400057	023-428-00	1	LH COMPLETE BRAKE ASSEMBLY
1-2	6400058	023-429-00	1	RH COMPLETE BRAKE ASSEMBLY
2-1	6450289	K71-497-00	1	LH SHOE & LINING KIT
2-2	6450290	K71-496-00	1	RH SHOE & LINING KIT
3	6450237	046-119-00	1	SHOE RETURN (GRAY)
4-1	6450137	047-124-05	1	LH ACTUATING LEVER ARM
4-2	6450138	047-125-05	1	RH ACTUATING LEVER ARM
5	6450102	027-039-00	3	WIRE CLIP
6	6450211	071-455-01	1	LH LEVER ARM RETAINER
6	6450212	071-455-02	1	RH LEVER ARM RETAINER
7	6450155	005-142-00	1	WASHER
8	6450177	006-092-01	1	FLANGE NUT
9	6450160-01	K71-441-00	1	MAGNET KIT
10**	6450038	046-007-00	2	ADJUSTER SLOT PLUG
11**	9000137	006-129-00	4	HEX NUT
12**	9000251	005-058-00	4	LOCK WASHER
13**	6450001	046-016-00	1	MAGNET WIRE GROMMET
14**	6450300	036-118-20	1	DUST SHIELD
15**	6450097	046-136-00	2	CENTERING SPRING
16**	9000425	007-251-00	4	BRAKE MOUNTING BOLT
17	6450009	048-017-00	1	ADJUSTER SCREW
18	6450226	046-018-00	1	ADJUSTER SPRING (RED)

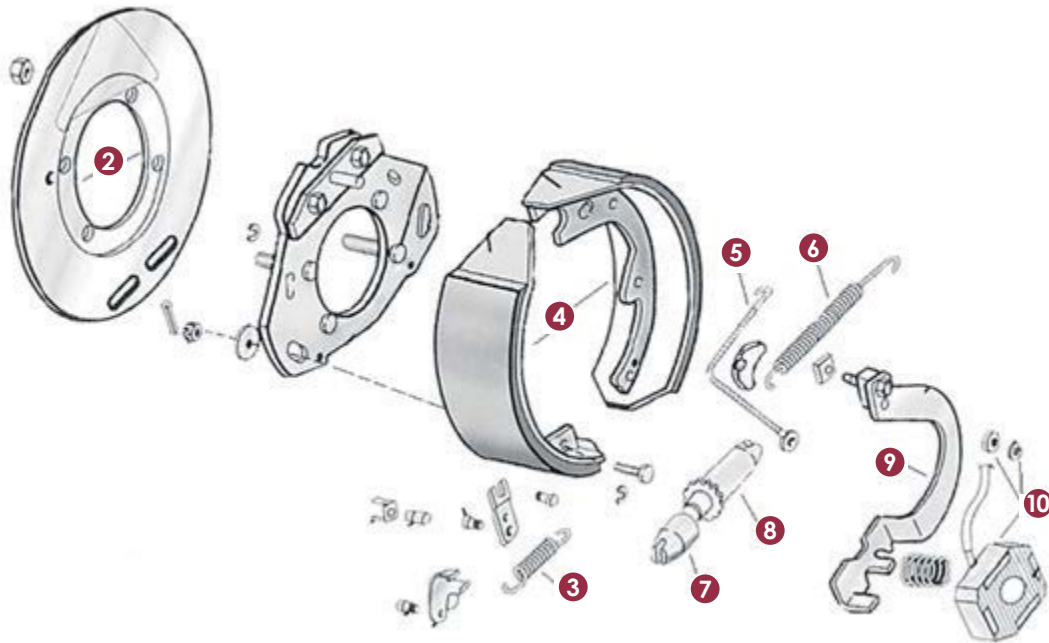
\* Quantity per brake. \*\* Item Sold Separately.



ELECTRIC BRAKE ASSEMBLIES

# 8,000 LBS. • 12" X 3 3/8" ELECTRIC BRAKE ASSEMBLY =

**2** YEAR WARRANTY



• This brake is rated to a maximum capacity of 8,000 lbs. / pair

REF NO.	ITEM NO.	ID NO.	QTY.*	DESCRIPTION
1-1+	6400056	K363601	1	LH COMPLETE BRAKE ASSEMBLY
1-2+	6400055	K363602	1	RH COMPLETE BRAKE ASSEMBLY
2	6450110	568289	1	DUST COVER
3	-	568239	1	SELF ADJUSTER SPRING
4	6450057	K363924	1	SHOE & LINING KIT
5	6450089	568245	1	CABLE ASSEMBLY
6	6450295	568226	1	SHOE RETRACTING SPRING
7	6450215	568272	1	SELF ADJUSTER SOCKET
8	6450205	568257	1	LH ADJUSTER ASSEMBLY
8	6450015	568256	1	RH ADJUSTER ASSEMBLY
9	6450398	568237	1	LH LEVER ASSEMBLY
9	6450257	568236	1	RH LEVER ASSEMBLY
10	6450162	K568252	1	MAGNET KIT

\* Quantity per brake. \*\* Item Sold Separately.  
+ Special Order Only for Replacement Parts.

**AL-KO**  
GENUINE PARTS  
By DEXTER

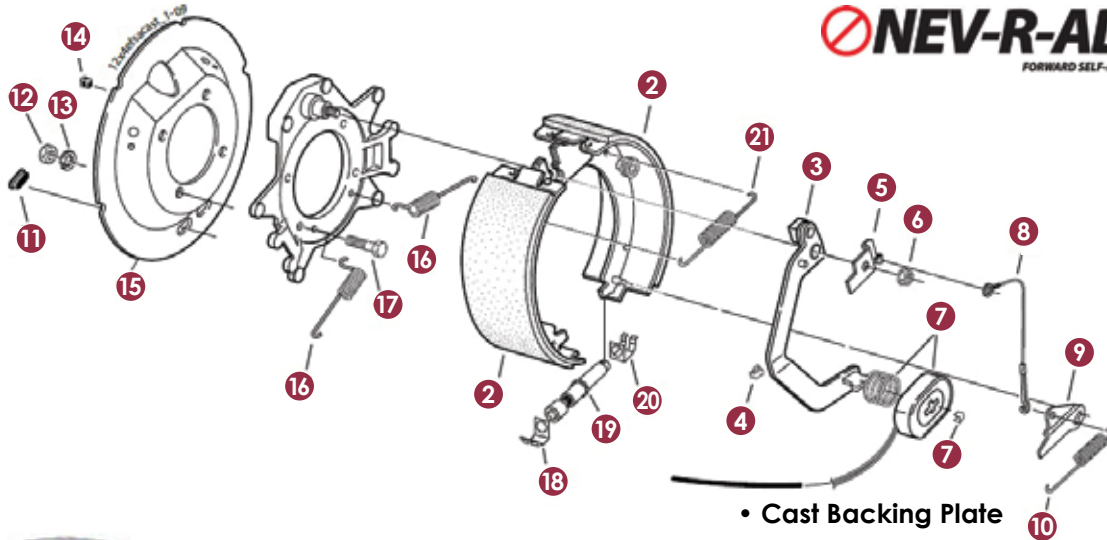
MADE IN  
  
U. S. A.



ELECTRIC BRAKE ASSEMBLIES



# 8,000 LBS. • 12 1/4" X 3 3/8" ELECTRIC FSA BRAKE ASSEMBLY =



- This brake is rated to a maximum capacity of 8,000 lbs. / pair
- CSA Approved at 7,000#/14.2 SLR



REF NO.	ITEM NO.	ID NO.	QTY.*	DESCRIPTION
1-1	6400039	023-434-00	1	LH COMPLETE BRAKE ASSEMBLY
1-2	6400040	023-435-00	1	RH COMPLETE BRAKE ASSEMBLY
2-1	6450059	K71-499-00	1	LH SHOE & LINING KIT
2-2	6450060	K71-498-00	1	RH SHOE & LINING KIT
3	6450271	047-123-38	1	LH ACTUATING LEVER ARM
3	6450270	047-123-37	1	RH ACTUATING LEVER ARM
4	6450102	027-039-00	3	WIRE CLIP
5	6450211	071-455-01	1	LH ARM/ SHOE RETAINER
5	6450212	071-455-02	1	RH ARM / SHOE RETAINER
6	6450177	006-092-01	1	FLANGE NUT
7	6450173-01	K71-375-00	1	MAGNET KIT
8	6450088	071-462-00	1	ADJUSTER CABLE
9	6450146	071-464-00	1	LH ADJUSTER LEVER
9	6450150	071-463-00	1	RH ADJUSTER LEVER
10	6450275	046-137-00	1	ADJUSTER SPRING
11	6450038	046-007-00	2	ADJUSTER SLOT PLUG
12**	9000137	006-129-00	4	BRAKE MOUNTING NUT
13**	9000251	005-058-00	4	LOCK WASHER
14**	6450001	046-016-00	1	WIRE GROMMET
15**	6450113	036-115-20	1	DUST SHIELD
16	6450097	046-136-00	2	CENTERING SPRING
17**	6450019	007-097-00	4	BRAKE MOUNTING BOLT
18	6450100	046-132-00	1	ADJUSTER CLIP (THREAD END)
19	6450011	048-019-00	1	LH ADJUSTER ASSEMBLY (SILVER)
19	6450010	048-020-00	1	RH ADJUSTER ASSEMBLY (GOLD)
20	6450101	046-133-00	1	ADJUSTER CLIP (BARREL END)
21	6450237	046-119-00	1	RETURN SPRING

\* Quantity per brake. \*\* Item Sold Separately.



ELECTRIC BRAKE ASSEMBLIES

# 9K - 15K HEAVY DUTY FORWARD SELF-ADJUSTING ELECTRIC BRAKES



Heavy Duty Actuating Lever with oil impregnated bushing for long trouble-free operation.

Anchor post of high strength steel to accept high torques of heavy duty brake service.

Backing Plate is a cast spider from high strength ductile iron designed for long life under heavy duty braking conditions.

Adjuster Link transmits braking forces between brake shoes. Length is adjusted during normal vehicle forward and reverse operation to maintain close brakes shoe-to-drum relation for maximum braking efficiency and service-free operation.

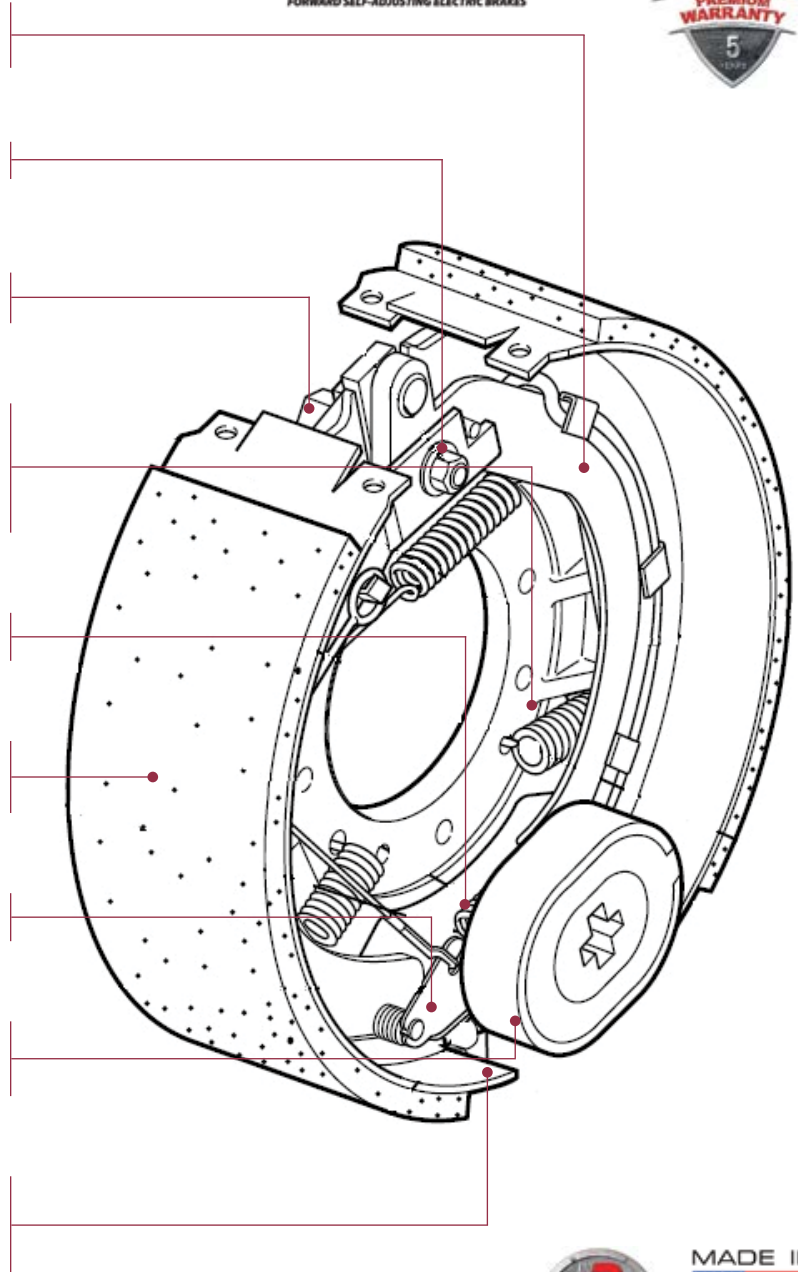
Adjuster Spring holds heel ends of brake shoes engaged with adjuster link.

Brake Lining are truck type for improved stopping force and extended service life. Linings are bonded to brake shoes for more useable lining life.

Adjuster Pawl is cable actuated when brake is applied while vehicle is operating in forward or reverse.

Electromagnet, powdered metal body with large, friction wear surface. Spring on actuating lever pin positions electromagnet positively against drum armature surface.

Brake Shoes are fabricated out of heavy gauge steel to completely support brake linings under service conditions without warping. The shoes assure adequate strength to withstand high forces needed for more efficient braking.



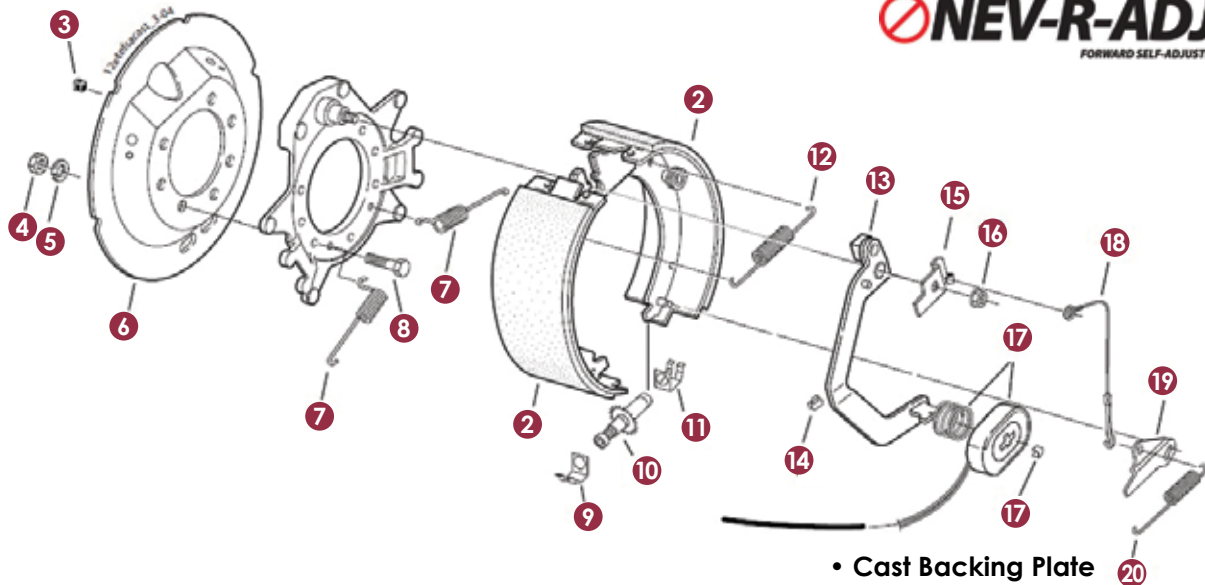
ELECTRIC BRAKE ASSEMBLIES

ITEM NO.	ID NO.	CAPACITY*	SIZE	DESCRIPTION	CAT PG.
6400044	023-450-00	9K, 10KGD, #13G	12-1/4" x 3-3/8"	LH COMPLETE BRAKE ASSEMBLY	B-20
6400045	023-451-00	9K, 10KGD, #13G	12-1/4" x 3-3/8"	RH COMPLETE BRAKE ASSEMBLY	B-20
6400019	023-438-00	10K, #13D	12-1/4" x 4"	LH COMPLETE BRAKE ASSEMBLY	B-22
6400018	023-439-00	10K, #13D	12-1/4" x 4"	RH COMPLETE BRAKE ASSEMBLY	B-22
6400023	023-442-00	12K, #14T	12-1/4" x 5"	LH COMPLETE BRAKE ASSEMBLY	B-23
6400022	023-443-00	12K, #14T	12-1/4" x 5"	RH COMPLETE BRAKE ASSEMBLY	B-23
6400025	023-446-00	15K	12-1/4" x 5"	LH COMPLETE BRAKE ASSEMBLY	B-24
6400024	023-447-00	15K	12-1/4" x 5"	RH COMPLETE BRAKE ASSEMBLY	B-24

# 9,000 - 10,000 LBS. • 12 1/4" X 3 3/8" GENERAL DUTY ELECTRIC FSA BRAKE ASSEMBLY =

**2** YEAR WARRANTY

**NEV-R-ADJUST®**  
FORWARD SELF-ADJUSTING ELECTRIC BRAKES



1-1



1-2

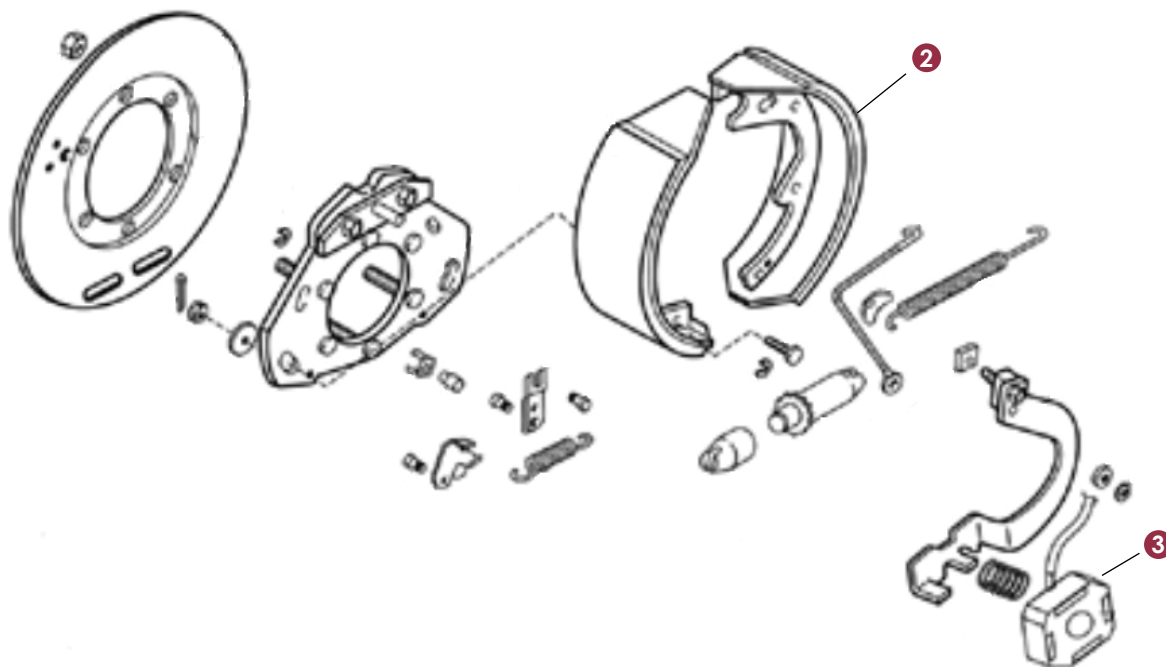
REF NO.	ITEM NO.	ID NO.	QTY*	DESCRIPTION
1-1	6400044	023-450-00	1	LH COMPLETE BRAKE ASSEMBLY
1-2	6400045	023-451-00	1	RH COMPLETE BRAKE ASSEMBLY
1-1	6400044-01	K23-450-00	1	LH BOXED COMPLETE BRAKE ASSY
1-2	6400045-01	K23-451-00	1	RH BOXED COMPLETE BRAKE ASSY
2-1	6450059	K71-499-00	1	LH SHOE & LINING KIT
2-2	6450060	K71-498-00	1	RH SHOE & LINING KIT
3**	6450001	046-016-00	1	WIRE GROMMET
4**	6450181	006-017-00	7	BRAKE MOUNTING NUT
5**	7030116	005-008-00	7	LOCK WASHER
6**	6450118	036-115-21	1	DUST SHIELD
7	6450097	046-136-00	2	CENTERING SPRING
8**	6450020	007-116-00	7	BRAKE MOUNTING BOLT
9	6450101	046-133-00	1	ADJUSTER CLIP (BARREL END)
10	6450011	048-019-00	1	LH ADJUSTER ASSEMBLY (SILVER)
10	6450010	048-020-00	1	RH ADJUSTER ASSEMBLY (GOLD)
11	6450100	046-132-00	1	ADJUSTER CLIP (THREAD END)
12	6450237	046-119-00	1	RETURN SPRING
13	6450271	047-123-38	1	LH ACTUATING ARM ASSEMBLY
13	6450270	047-123-37	1	RH ACTUATING ARM ASSEMBLY
14	6450102	027-039-00	3	WIRE CLIP
15	6450211	071-455-01	1	LH ARM / SHOE RETAINER
15	6450212	071-455-02	1	RH ARM / SHOE RETAINER
16	6450177	006-092-01	1	FLANGE NUT
17	6450174-01	K71-376-00	1	MAGNET KIT
18	6450088	071-462-00	1	ADJUSTER CABLE
19	6450146	071-464-00	1	LH ADJUSTER LEVER
19	6450150	071-463-00	1	RH ADJUSTER LEVER
20	6450275	046-137-00	1	ADJUSTER SPRING

\* Quantity per brake. \*\* Item Sold Separately.



# 10,000 - 12,000 LBS. • 12 ¼" X 3 ½" HEAVY DUTY ELECTRIC BRAKE ASSEMBLY

**2** YEAR WARRANTY



REF NO.	ITEM NO.	ID NO.	QTY.*	DESCRIPTION
1-1	6400005	K23-528-00	1	LH COMPLETE BRAKE ASSEMBLY
1-2	6400053	K23-529-00	1	RH COMPLETE BRAKE ASSEMBLY
2	6450156	K568251	1	SHOE & LINING KIT
3	6450162	K568252	1	MAGNET KIT

\* Quantity per brake.

**AL-KO**  
GENUINE PARTS  
By DEXTER



1-1



1-2

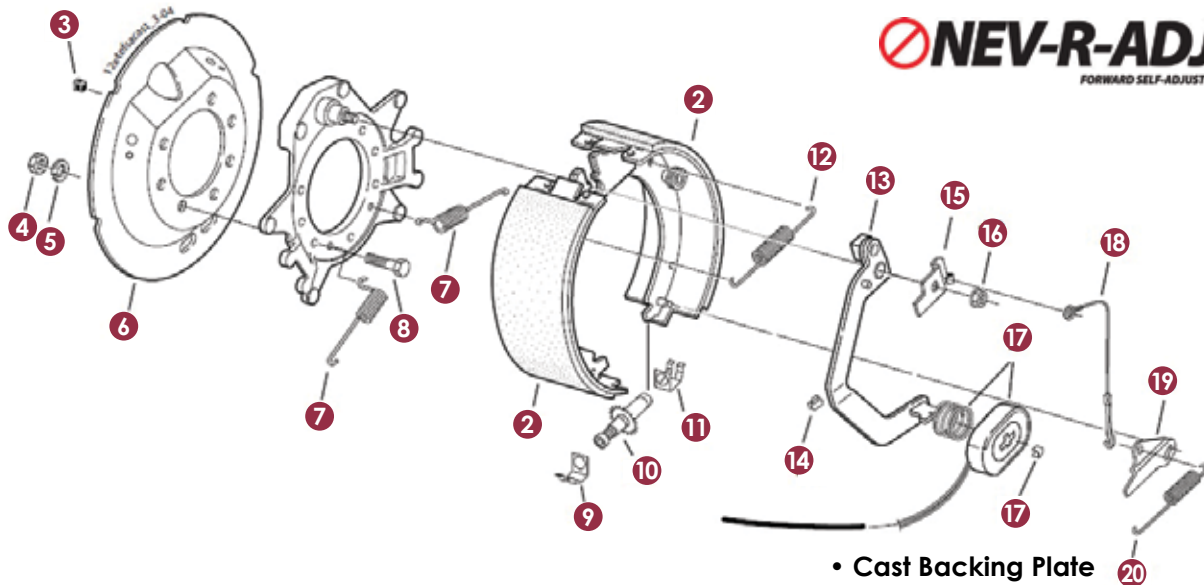
ELECTRIC BRAKE ASSEMBLIES



# 10,000 LBS. • 12 1/4" X 4" HEAVY DUTY ELECTRIC FSA BRAKE ASSEMBLY



**NEV-R-ADJUST**  
FORWARD SELF-ADJUSTING ELECTRIC BRAKES



1-1



1-2



REF NO.	ITEM NO.	ID NO.	QTY.*	DESCRIPTION
1-1	6400019	023-438-00	1	LH COMPLETE BRAKE ASSEMBLY
1-2	6400018	023-439-00	1	RH COMPLETE BRAKE ASSEMBLY
2-1	6450041	K71-501-00	1	LH SHOE & LINING KIT
2-2	6450042	K71-500-00	1	RH SHOE & LINING KIT
3**	6450001	046-016-00	1	WIRE GROMMET
4**	6450181	006-017-00	7	BRAKE MOUNTING NUT
5**	7030116	005-008-00	7	LOCK WASHER
6**	6450269	036-115-22	1	DUST SHIELD
7	6450097	046-136-00	2	CENTERING SPRING
8**	6450020	007-116-00	7	BRAKE MOUNTING BOLT
9	6450101	046-133-00	1	ADJUSTER CLIP (BARREL END)
10	6450011	048-019-00	1	LH ADJUSTER ASSEMBLY (SILVER)
10	6450010	048-020-00	1	RH ADJUSTER ASSEMBLY (GOLD)
11	6450100	046-132-00	1	ADJUSTER CLIP (THREAD END)
12	6450237	046-119-00	1	RETURN SPRING
13	6450271	047-123-38	1	LH ACTUATING ARM ASSEMBLY
13	6450270	047-123-37	1	RH ACTUATING ARM ASSEMBLY
14	6450102	027-039-00	3	WIRE CLIP
15	6450211	071-455-01	1	LH ARM / SHOE RETAINER
15	6450212	071-455-02	1	RH ARM / SHOE RETAINER
16	6450177	006-092-01	1	FLANGE NUT
17	6450174-01	K71-376-00	1	MAGNET KIT
18	6450088	071-462-00	1	ADJUSTER CABLE
19	6450146	071-464-00	1	LH ADJUSTER LEVER
19	6450150	071-463-00	1	RH ADJUSTER LEVER
20	6450275	046-137-00	1	ADJUSTER SPRING

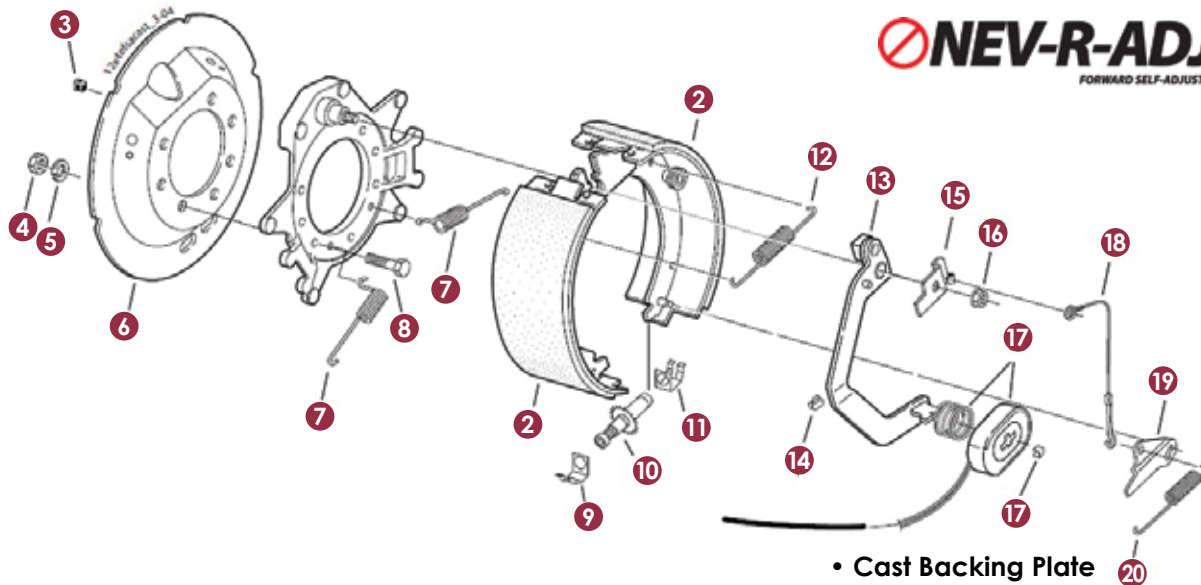
\* Quantity per brake. \*\* Item Sold Separately.



# 12,000 LBS. • 12 ¼" X 5" HEAVY DUTY ELECTRIC FSA BRAKE ASSEMBLY



**NEV-R-ADJUST**  
FORWARD SELF-ADJUSTING ELECTRIC BRAKES



REF NO.	ITEM NO.	ID NO.	QTY.*	DESCRIPTION
1-1	6400023	023-442-00	1	LH COMPLETE BRAKE ASSEMBLY
1-2	6400022	023-443-00	1	RH COMPLETE BRAKE ASSEMBLY
2-1	6450048	K71-503-00	1	LH SHOE & LINING KIT
2-2	6450047	K71-502-00	1	RH SHOE & LINING KIT
3**	6450001	046-016-00	1	WIRE GROMMET
4**	6450181	006-017-00	7	BRAKE MOUNTING NUT
5**	7030116	005-008-00	7	LOCK WASHER
6**	6450117	036-115-23	1	DUST SHIELD
7	6450097	046-136-00	2	CENTERING SPRING
8**	6450020	007-116-00	7	BRAKE MOUNTING BOLT
9	6450101	046-133-00	1	ADJUSTER CLIP (BARREL END)
10	6450011	048-019-00	1	LH ADJUSTER ASSEMBLY (SILVER)
10	6450010	048-020-00	1	RH ADJUSTER ASSEMBLY (GOLD)
11	6450100	046-132-00	1	ADJUSTER CLIP (THREAD END)
12	6450237	046-119-00	1	RETURN SPRING
13	6450267	047-123-36	1	LH ACTUATING ARM ASSEMBLY
13	6450268	047-123-35	1	RH ACTUATING ARM ASSEMBLY
14	6450102	027-039-00	3	WIRE CLIP
15	6450211	071-455-01	1	LH ARM / SHOE RETAINER
15	6450212	071-455-02	1	RH ARM / SHOE RETAINER
16	6450177	006-092-01	1	FLANGE NUT
17	6450169-01	K71-377-00	1	MAGNET KIT
18	6450088	071-462-00	1	ADJUSTER CABLE
19	6450146	071-464-00	1	LH ADJUSTER LEVER
19	6450150	071-463-00	1	RH ADJUSTER LEVER
20	6450275	046-137-00	1	ADJUSTER SPRING



1-1



1-2



\* Quantity per brake. \*\* Item Sold Separately.

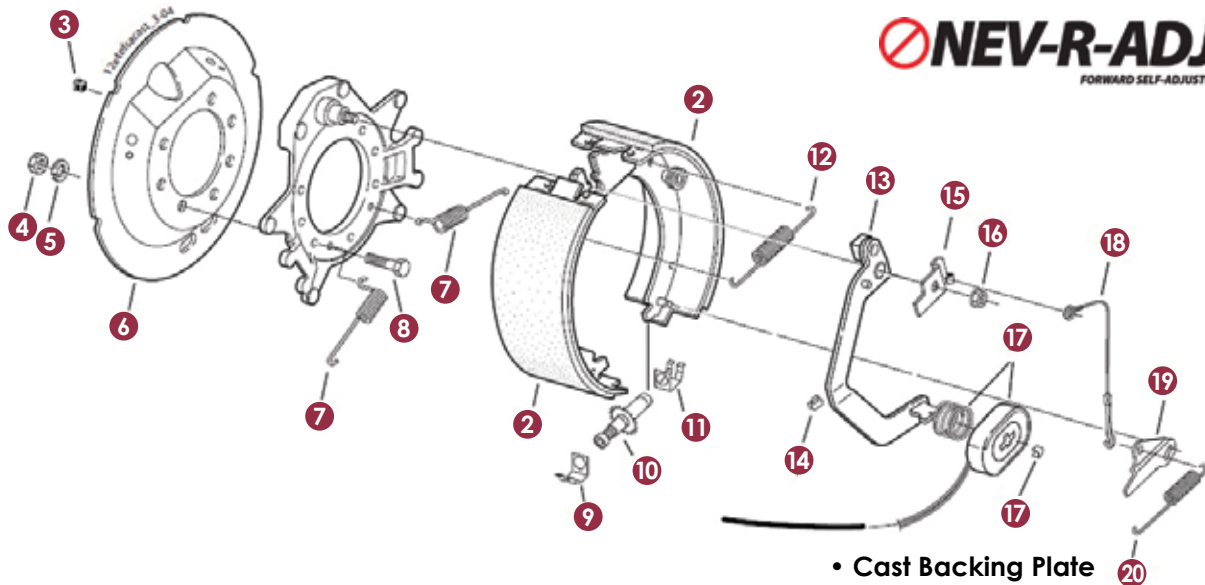


ELECTRIC BRAKE ASSEMBLIES

# 15,000 LBS. • 12 1/4" X 5" HEAVY DUTY ELECTRIC FSA BRAKE ASSEMBLY



**NEV-R-ADJUST**  
FORWARD SELF-ADJUSTING ELECTRIC BRAKES



1-1



1-2



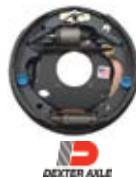
REF NO.	ITEM NO.	ID NO.	QTY.*	DESCRIPTION
1-1	6400025	023-446-00	1	LH COMPLETE BRAKE ASSEMBLY
1-2	6400024	023-447-00	1	RH COMPLETE BRAKE ASSEMBLY
2-1	6450048	K71-503-00	1	LH SHOE & LINING KIT
2-2	6450047	K71-502-00	1	RH SHOE & LINING KIT
3**	6450001	046-016-00	1	WIRE GROMMET
4**	6450181	006-017-00	7	BRAKE MOUNTING NUT
5**	7030116	005-008-00	7	LOCK WASHER
6**	6450117	036-115-23	1	DUST SHIELD
7	6450097	046-136-00	2	CENTERING SPRING
8**	6450020	007-116-00	7	BRAKE MOUNTING BOLT
9	6450101	046-133-00	1	ADJUSTER CLIP (BARREL END)
10	6450011	048-019-00	1	LH ADJUSTER ASSEMBLY (SILVER)
10	6450010	048-020-00	1	RH ADJUSTER ASSEMBLY (GOLD)
11	6450100	046-132-00	1	ADJUSTER CLIP (THREAD END)
12	6450237	046-119-00	1	RETURN SPRING
13	6450267	047-123-36	1	LH ACTUATING ARM ASSEMBLY
13	6450268	047-123-35	1	RH ACTUATING ARM ASSEMBLY
14	6450102	027-039-00	3	WIRE CLIP
15	6450211	071-455-01	1	LH ARM / SHOE RETAINER
15	6450212	071-455-02	1	RH ARM / SHOE RETAINER
16	6450177	006-092-01	1	FLANGE NUT
17	6450183-01	K71-378-00	1	MAGNET KIT
18	6450088	071-462-00	1	ADJUSTER CABLE
19	6450146	071-464-00	1	LH ADJUSTER LEVER
19	6450150	071-463-00	1	RH ADJUSTER LEVER
20	6450275	046-137-00	1	ADJUSTER SPRING

\* Quantity per brake. \*\* Item Sold Separately.

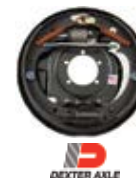
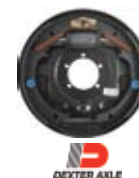
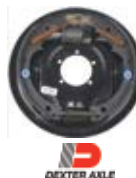
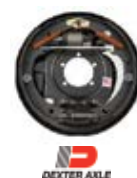


ELECTRIC BRAKE ASSEMBLIES

# HYDRAULIC BRAKE ASSEMBLIES



DESCRIPTION	10" x 2 1/4"	10" x 2 1/4"	10" x 2 1/4"	10" x 2 1/4"	10" x 2 1/4"	12" x 2"
CAPACITY PER PAIR	3.5K	3.5K	3.5K	3.5K	3.5K	6K
TYPE	UNI-SERVO	DUO-SERVO	PARK FEATURE	FREEBACKING	MARINE FREEBACKING	UNI-SERVO
LEFT HAND ITEM NUMBER	6400031	6400095	6400093	6400064	6400028	6400046
LEFT HAND ID NO.	023-312-00	023-310-00	023-330-00	023-344-00	SB40716M	023-324-00
RIGHT HAND ITEM NUMBER	6400032	6400096	6400094	6400065	6400029	6400047
RIGHT HAND ID NO.	023-313-00	023-311-00	023-331-00	023-345-00	SB40715M	023-325-00
SHOE & LINING KIT					NOT AVAILABLE	
LEFT HAND ITEM NUMBER	6450051	6450051	6450051	6450265	-	6450052
LEFT HAND ID NO.	K71-267-00	K71-267-00	K71-267-00	K71-393-00	-	K71-268-00
RIGHT HAND ITEM NUMBER	6450051	6450051	6450051	6450265	-	6450052
RIGHT HAND ID NO.	K71-267-00	K71-267-00	K71-267-00	K71-393-00	-	K71-268-00
<b>Complete Breakdown on:</b>	<b>Page B-28</b>	<b>Page B-28</b>	<b>Page B-29</b>	<b>Page B-30</b>	<b>Page B-31</b>	<b>Page B-32</b>



DESCRIPTION	12" x 2"	12" x 2"	12" x 2"	12" x 2"	12" x 2"	12" x 2"
CAPACITY PER PAIR	6K	6K	6K	7K	7K	7K
TYPE	DUO-SERVO	UNI-SERVO PARK	MARINE FREEBACKING	UNI-SERVO	DUO-SERVO	PARK
LEFT HAND ITEM NUMBER	6400068	6400109	6400086	6400066	6400071	6400069
LEFT HAND ID NO.	023-322-00	023-320-00	SB42029M	023-338-00	023-336-00	023-334-00
RIGHT HAND ITEM NUMBER	6400097	6400108	6400085	6400067	6400072	6400070
RIGHT HAND ID NO.	023-323-00	023-321-00	SB42028M	023-339-00	023-337-00	023-335-00
SHOE & LINING KIT			NOT AVAILABLE			
LEFT HAND ITEM NUMBER	6450052	6450052	-	6450071	6450071	6450071
LEFT HAND ID NO.	K71-268-00	K71-268-00	-	K71-269-00	K71-269-00	K71-269-00
RIGHT HAND ITEM NUMBER	6450052	6450052	-	6450070	6450070	6450070
RIGHT HAND ID NO.	K71-268-00	K71-268-00	-	K71-270-00	K71-270-00	K71-270-00
<b>Complete Breakdown on:</b>	<b>Page B-32</b>	<b>Page B-33</b>	<b>Page B-34</b>	<b>Page B-35</b>	<b>Page B-35</b>	<b>Page B-36</b>



# HYDRAULIC BRAKE ASSEMBLIES



DESCRIPTION	12" x 2"	12" x 2"	12" x 3 3/8"	12 1/4" x 3 3/8"	12 1/4" x 3 3/8"
CAPACITY PER PAIR	7K	7K	8K	8K	9-10KGD
TYPE	FREEBACKING	MARINE FREEBACKING	UNI-SERVO	FSA	FSA
LEFT HAND ITEM NUMBER	6400008	-	6400080	6400041	6400014
LEFT HAND ID NO.	023-342-00	023-342-01	60206803	023-402-00	023-410-00
RIGHT HAND ITEM NUMBER	6400009	-	6400080	6400042	6400015
RIGHT HAND ID NO.	023-343-00	023-343-01	60206803	023-403-00	023-411-00
SHOE & LINING KIT					
LEFT HAND ITEM NUMBER	6450053	-	6450058	6450081	6450081
LEFT HAND ID NO.	K71-394-00	K71-427-00	K363925	K71-165-00	K71-165-00
RIGHT HAND ITEM NUMBER	6450083	-	6450058	6450080	6450080
RIGHT HAND ID NO.	K71-395-00	K71-428-00	K363925	K71-166-00	K71-166-00
<b>Complete Breakdown on:</b>	<b>Page B-37</b>	<b>Page B-37</b>	<b>Page B-38</b>	<b>Page B-39</b>	<b>Page B-41</b>



DESCRIPTION	12 1/4" x 3 1/2"	12 1/4" x 4"	12 1/4" x 5"	12 1/4" x 5"
CAPACITY PER PAIR	10-12K	10K	12K	15K
TYPE		FSA	FSA	FSA
LEFT HAND ITEM NUMBER	6400195	6400020	6400088	6400090
LEFT HAND ID NO.	K568213	023-404-00	023-408-00	023-406-00
RIGHT HAND ITEM NUMBER	6400195	6400021	6400089	6400091
RIGHT HAND ID NO.	K568213	023-405-00	023-409-00	023-407-00
SHOE & LINING KIT				
LEFT HAND ITEM NUMBER	6450062	6450074	6450077	6450077
LEFT HAND ID NO.	K568234	K71-167-00	K71-169-00	K71-169-00
RIGHT HAND ITEM NUMBER	6450062	6450073	6450076	6450076
RIGHT HAND ID NO.	K568234	K71-168-00	K71-170-00	K71-170-00
<b>Complete Breakdown on:</b>	<b>Page B-42</b>	<b>Page B-43</b>	<b>Page B-44</b>	<b>Page B-44</b>



HYDRAULIC BRAKE ASSEMBLIES

# HYDRAULIC DISC & AIR BRAKE ASSEMBLIES



DESCRIPTION	10" 545 Disc	10" 545 Disc	12" 655 Disc	13" 865 Disc	13" 865 Disc	13" 865 Disc
MANUFACTURER						
CAPACITY PER PAIR	3.5K MAXX	3.5K MAXX SS* Caliper	6K	7K	8K	8K
SLIP-ON KIT	6450503	6450504	6450579	6450657	6450512	6450745
MAXX COAT ID NO.	DBSO-3.5K-MAXX	DBSO-3.5K-MAXX-SS	DBSO-6K-MAXX	DBSO-7K-MAXX	K71-635-00	DBSO-8KD9-MAXX
INTEGRAL KIT	6450510	6450511	6450586	6450676	-	-
MAXX COAT ID NO.	DBI-3.5K-MAXX	DBI-3.5K-MAXX-SS	DBI-6K-MAXX	DBI-7K-MAXX	-	-
DISC BRAKE PAD KIT						
SEMI-METALLIC	6450620	6450620	6450620	6450406	6450287 K71-629-00	6450406
CERAMIC	6450392	6450392	6450392	6450810	-	6450810
<b>Complete Breakdown on:</b>	<b>Page B-45</b>	<b>Page B-45</b>	<b>Page B-44</b>	<b>Page B-44</b>	<b>Page B-52</b>	<b>Page B-44</b>

\*SS = Stainless Steel Caliper

Available In Stainless Steel

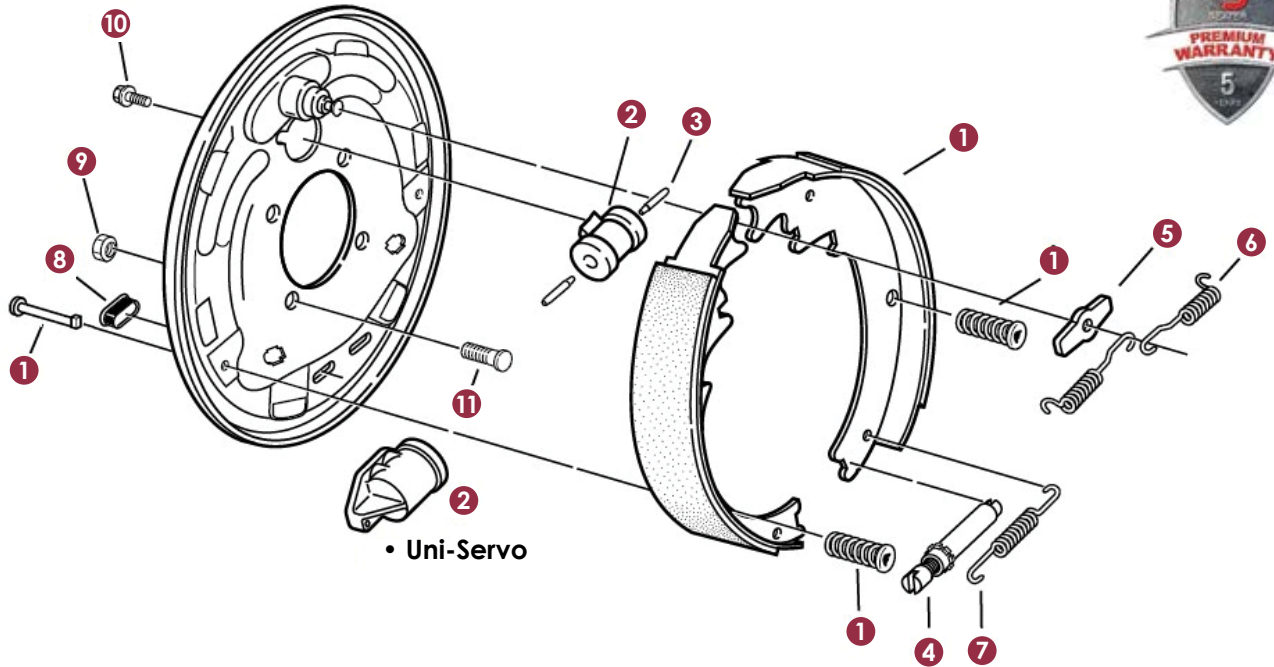


DESCRIPTION	DISC	DISC BRAKE	DISC BRAKE
MANUFACTURER			
CAPACITY PER PAIR	9-10KGD	10-12K	10-12K
TYPE	-	Hub & Rotor	Hub & Rotor
SLIP-ON KIT	-	9089421	10K
MAXX COAT ID NO.	-	09089421	7650132-02
INTEGRAL KIT	-	-	12K
MAXX COAT ID NO.	-	-	7650067-02
DISC BRAKE PAD KIT	-		
SEMI-METALLIC	-	6450039	6450109
10KGD ITEM NO.	6450414	-	-
10KGD ID NO.	DBI-10K-MAXX	-	-
<b>Complete Breakdown on:</b>	<b>Page B-54</b>	<b>Page B-54</b>	<b>Page B-55 &amp; 56</b>

DESCRIPTION	AIR BRAKE "PQ"	AIR BRAKE "P"	AIR BRAKE "Q"
CAPACITY PER PAIR	10K-27.5K	10K	22.5K-27.5K
10K ITEM NO.	6450262	6450261	-
10K ID NO.	040-321-01	040-164-01	-
12K-15K ITEM NO.	6450263	-	-
12K-15K ID NO.	040-322-01	-	-
22.5K-27.5K ITEM NO.	6450273	-	6450285
22.5K-27.5K ID NO.	040-320-01	-	040-180-00
<b>Complete Breakdown on:</b>	<b>Page B-57</b>	<b>Page B-58</b>	<b>Page B-59</b>



# 3,500 LBS. • 10" X 2 1/4" UNI-SERVO HYDRAULIC BRAKE ASSEMBLY



• Uni-Servo

- Uni-Servo brakes to be used with surge actuator
- This brake is rated to a maximum capacity of 3,500 lbs. / pair
- Sprung CSA Approved at 3,500#/14.0 SLR; Uni-Servo



1-1



1-2



2-1

2-2



2-3

2-4

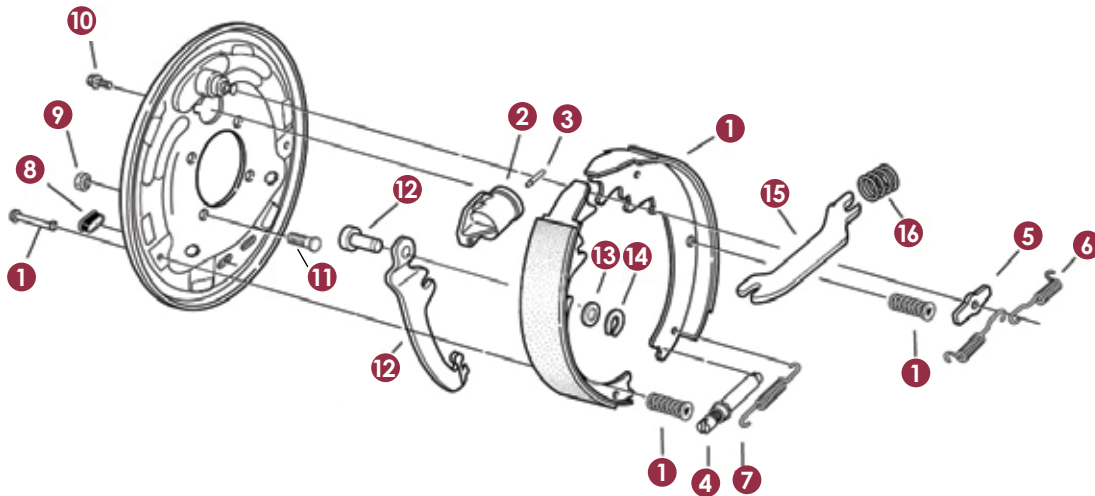
REF NO.	ITEM NO.	ID NO.	QTY.*	DESCRIPTION
1	6450051	K71-267-00	1	SHOE & LINING KIT COMPLETE
1-1	6400031	023-312-00	1	UNI-SERVO LH COMPLETE BRAKE ASSEMBLY
1-2	6400032	023-313-00	1	UNI-SERVO RH COMPLETE BRAKE ASSEMBLY
1-3	6400095	023-310-00	1	DUO-SERVO LH COMPLETE BRAKE ASSEMBLY
1-4	6400096	023-311-00	1	DUO-SERVO RH COMPLETE BRAKE ASSEMBLY
2-1	6450250	054-064-00	1	UNI-SERVO LH BRAKE CYLINDER
2-2	6450251	054-065-00	1	UNI-SERVO RH BRAKE CYLINDER
2-3	6450107	054-062-00	1	DUO-SERVO LH BRAKE CYLINDER
2-4	6450108	054-063-00	1	DUO-SERVO RH BRAKE CYLINDER
3	6450256	054-060-00	1 OR 2	CYLINDER PUSH ROD US (1) DS (2)
4	6450007	043-004-00	1	ADJUSTER ASSEMBLY
5	6451004	005-113-00	1	ANCHOR POST WASHER
6	6450228	046-009-00	2	RETRACTOR SPRING
7	6450226	046-018-00	1	ADJUSTING SCREW SPRING
8	6450038	046-007-00	1	ADJUSTER SLOT PLUG
9**	6450181	006-017-00	4	BRAKE MOUNTING NUT
10	6451005	087-001-00	2	SEMS (SCREW & WASHER ASSEMBLY)
11	6450241	007-041-00	4	BRAKE MOUNTING BOLT- PRESS IN
NS	-	054-089-00	1	BLEEDER SCREW (INCLUDED WITH ITEM 2)

\* Quantity per brake. \*\* Item Sold Separately.



HYDRAULIC BRAKE ASSEMBLIES

# 3,500 LBS. • 10" X 2 1/4" UNI-SERVO HYDRAULIC PARK BRAKE ASSEMBLY =



- Uni-Servo brakes to be used with surge actuator
- This brake is rated to a maximum capacity of 3,500 lbs. / pair
- Sprung CSA Approved at 3,500#/14.0 SLR; Uni-Servo

REF NO.	ITEM NO.	ID NO.	QTY*	DESCRIPTION
1	6450051	K71-267-00	1	SHOE & LINING KIT COMPLETE
1-1	6400093	023-330-00	1	UNI-SERVO LH COMPLETE BRAKE ASSEMBLY
1-2	6400094	023-331-00	1	UNI-SERVO RH COMPLETE BRAKE ASSEMBLY
2-1	6450250	054-064-00	1	UNI-SERVO LH BRAKE CYLINDER
2-2	6450251	054-065-00	1	UNI-SERVO RH BRAKE CYLINDER
3	6450256	054-060-00	1	CYLINDER PUSH ROD US (1)
4	6450007	043-004-00	1	ADJUSTER ASSEMBLY
5	6451004	005-113-00	1	ANCHOR POST WASHER
6	6450228	046-009-00	2	RETRACTOR SPRING
7	6450226	046-018-00	1	ADJUSTING SCREW SPRING
8	6450038	046-007-00	1	ADJUSTER SLOT PLUG
9**	6450181	006-017-00	4	BRAKE MOUNTING NUT
10	6451005	087-001-00	2	SEMS (SCREW & WASHER ASSEMBLY)
11	6450241	007-041-00	4	BRAKE MOUNTING BOLT- PRESS IN
12	-	047-116-01	1	LH PARKING LEVER & PIN ASSEMBLY
12	-	047-117-01	1	RH PARKING LEVER & PIN ASSEMBLY
13	-	005-112-00	1	SPRING TENSION WASHER
14	6450190	069-055-00	1	RETAINER
ns	-	054-089-00	1	BLEEDER SCREW (INCLUDED WITH ITEM 2)
ns**	6451006	071-514-00	1	PARK BRAKE CABLE
15	-	047-118-00	1	PARKING STRUT
16	6450387	046-103-00	1	PARKING STRUT SPRING



1-1



1-2



2-1

2-2

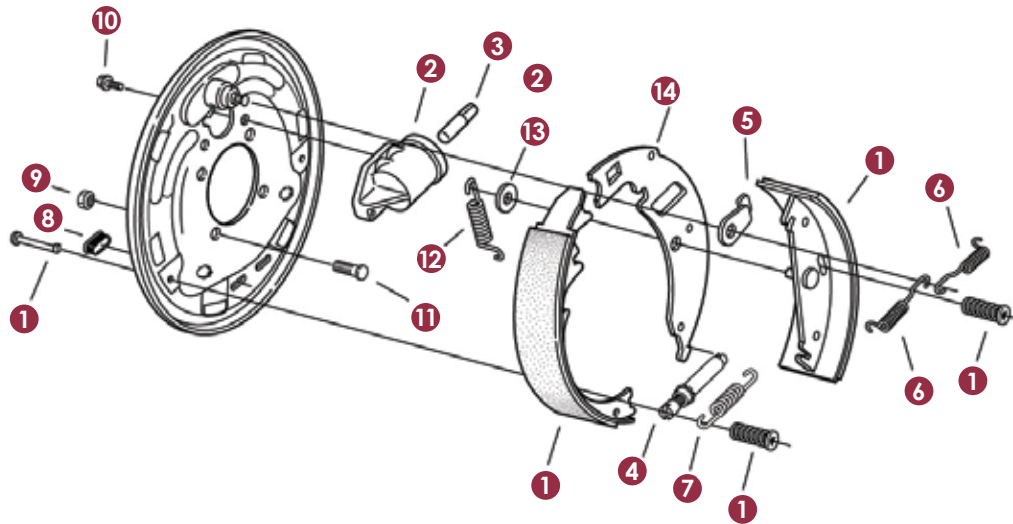
\* Quantity per brake. \*\* Item Sold Separately.



= HYDRAULIC BRAKE ASSEMBLIES



# 3,500 LBS. • 10" X 2 1/4" UNI-SERVO HYDRAULIC FREEBACKING BRAKE ASSEMBLY =



- Uni-Servo brakes to be used with surge actuator
- This brake is rated to a maximum capacity of 3,500 lbs. / pair
- Sprung CSA Approved at 3,500#/14.0 SLR; Uni-Servo



1-1



1-2



2-1

2-2

REF NO.	ITEM NO.	ID NO.	QTY.*	DESCRIPTION
1	6450265	K71-393-00	1	SHOE & LINING KIT COMPLETE
1-1	6400064	023-344-00	1	UNI-SERVO LH COMPLETE BRAKE ASSEMBLY
1-2	6400065	023-345-00	1	UNI-SERVO RH COMPLETE BRAKE ASSEMBLY
2-1	6450250	054-064-00	1	UNI-SERVO LH BRAKE CYLINDER
2-2	6450251	054-065-00	1	UNI-SERVO RH BRAKE CYLINDER
3	6450256	054-060-00	1	CYLINDER PUSH ROD US (1)
4	6450007	043-004-00	1	ADJUSTER ASSEMBLY
5	-	037-069-02	1	TRAVEL LINK
6	6450228	046-009-00	2	RETRACTOR SPRING
7	6450225	046-083-00	1	ADJUSTING SCREW SPRING
8	6450038	046-007-00	1	ADJUSTER SLOT PLUG
9**	6450181	006-017-00	4	BRAKE MOUNTING NUT
10	6451005	087-001-00	2	SEMS (SCREW & WASHER ASSEMBLY)
11	6450241	007-041-00	4	BRAKE MOUNTING BOLT- PRESS IN
12	6451007	046-108-01	1	PRIMARY SHOE RETURN
13	-	005-064-00	1	WASHER
14	-	040-240-02	1	SHOE LEVER
14	6450190	069-055-00	1	RETAINER
NS	-	054-089-00	1	BLEEDER SCREW (INCLUDED WITH ITEM 2)
NS**	6451006	071-514-00	1	PARK BRAKE CABLE

\* Quantity per brake. \*\* Item Sold Separately.



# 3,500 LBS. • 10" X 2 1/4" HYDRAULIC FREEBACKING MARINE BRAKE ASSEMBLY =



**Demco Freebacking Brakes** incorporate a "Fall-Away" shoe which diminishes shoe drag when backing. The galvanized backing plate, stainless steel spring hardware, plated wheel cylinder and riveted marine brake shoe make this brake assembly highly durable. **Requires periodic manual adjustment.**



1-1



1-2



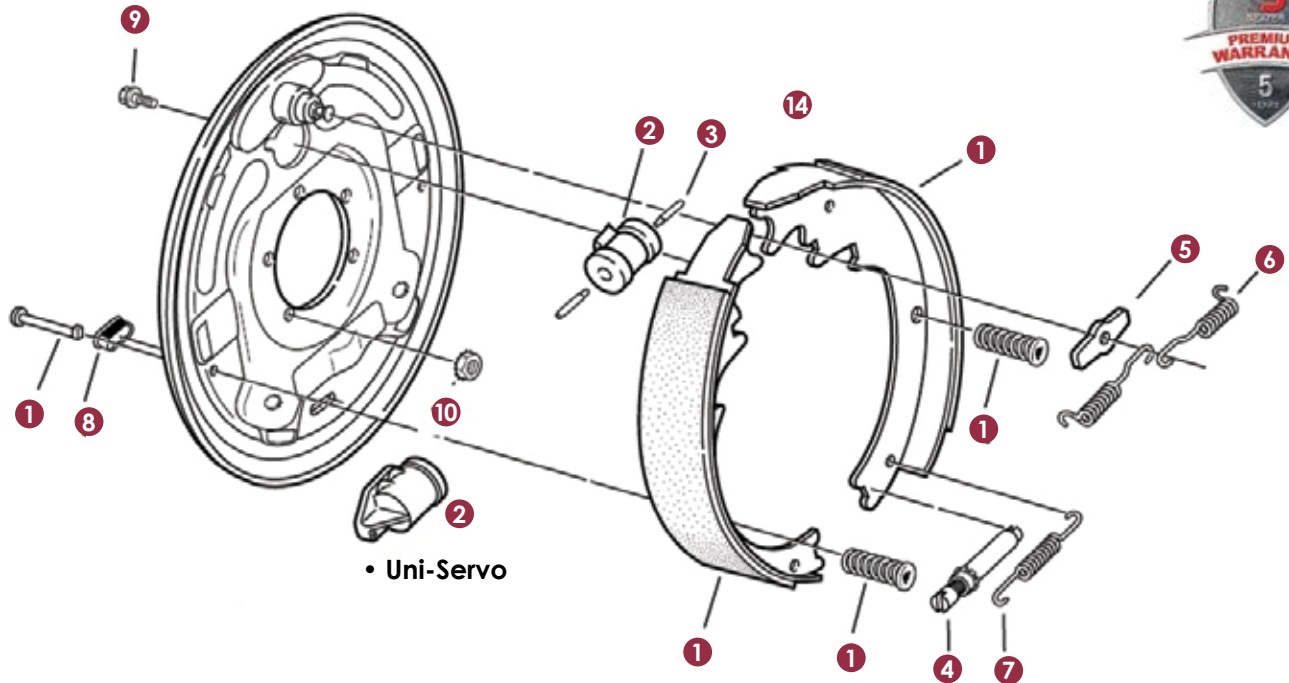
2

- Demco Marine Brake has galvanized back plate, stainless steel spring hardware, plated wheel cylinder and riveted marine brake shoe.
- 4 on 4.00" Bolt Hole Pattern
- 13" - 15" Wheel Size

REF NO.	ITEM NO.	ID NO.	QTY*	DESCRIPTION
1-1	6400028	SB40716M	1	LH COMPLETE BRAKE ASSEMBLY
1-2	6400029	SB40715M	1	RH COMPLETE BRAKE ASSEMBLY
2	6450394	SB9777M	1	LH WHEEL CYLINDER ASSEMBLY
2	6450393	SB9776M	1	RH WHEEL CYLINDER ASSEMBLY

\* Quantity per brake.

# 6,000 LBS. • 12" X 2" UNI-SERVO HYDRAULIC BRAKE ASSEMBLY



- Uni-Servo brakes to be used with surge actuator
- This brake is rated to a maximum capacity of 6,000 lbs. / pair



1-1



1-2



2-1

2-2



2-3

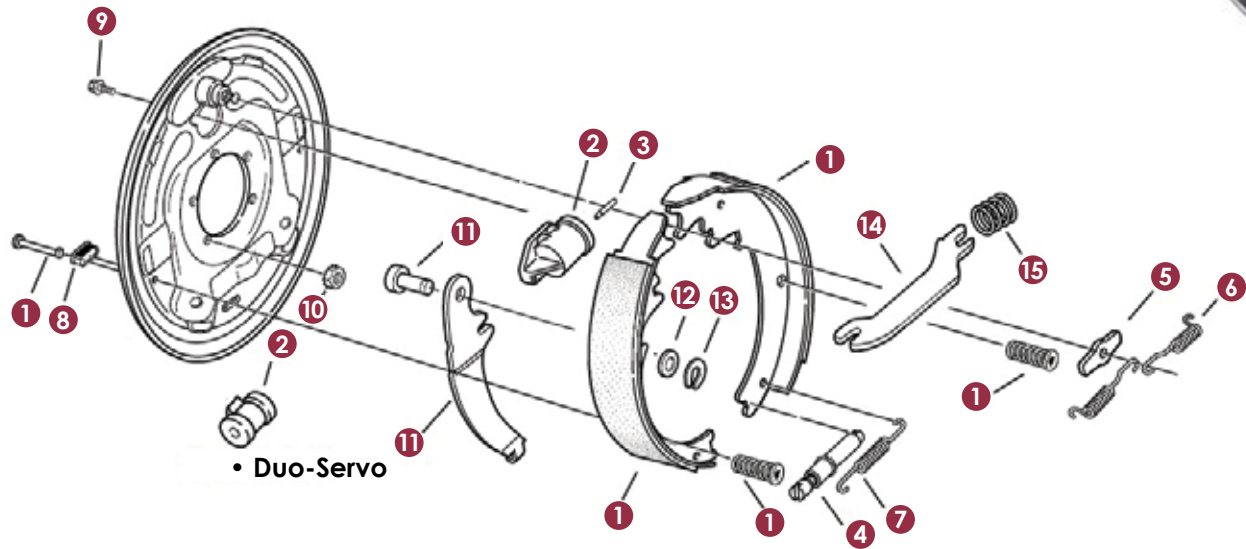
2-4

REF NO.	ITEM NO.	ID NO.	QTY.*	DESCRIPTION
1	6450052	K71-268-00	1	SHOE & LINING KIT COMPLETE
1-1	6400046	023-324-00	1	UNI-SERVO LH COMPLETE BRAKE ASSEMBLY
1-2	6400047	023-325-00	1	UNI-SERVO RH COMPLETE BRAKE ASSEMBLY
1-3	6400068	023-322-00	1	DUO-SERVO LH COMPLETE BRAKE ASSEMBLY
1-4	6400097	023-323-00	1	DUO-SERVO RH COMPLETE BRAKE ASSEMBLY
2-1	6450250	054-064-00	1	UNI-SERVO LH BRAKE CYLINDER
2-2	6450251	054-065-00	1	UNI-SERVO RH BRAKE CYLINDER
2-3	6450107	054-062-00	1	DUO-SERVO LH BRAKE CYLINDER
2-4	6450108	054-063-00	1	DUO-SERVO RH BRAKE CYLINDER
3	6450256	054-060-00	1 OR 2	CYLINDER PUSH ROD US (1) DS (2)
4	6450386	043-029-00	1	ADJUSTER ASSEMBLY
5	6451004	005-113-00	1	ANCHOR POST WASHER
6	6450249	046-101-00	2	RETRACTOR SPRING
7	6450229	046-102-00	1	ADJUSTING SCREW SPRING
8	6450038	046-007-00	1	ADJUSTER SLOT PLUG
9**	6451005	087-001-00	2	SEMS (SCREW & WASHER ASSEMBLY)
10	6450308	006-193-00	5	NUT WASHER ASSEMBLY
NS	-	-	1	BLEEDER SCREW (INCLUDED WITH ITEM 2)

\* Quantity per brake. \*\* Item Sold Separately.



# 6,000 LBS. • 12" X 2" UNI-SERVO HYDRAULIC PARK BRAKE ASSEMBLY =



- Uni-Servo brakes to be used with surge actuator
- This brake is rated to a maximum capacity of 6,000 lbs. / pair

REF NO.	ITEM NO.	ID NO.	QTY.*	DESCRIPTION
1	6450052	K71-268-00	1	SHOE & LINING KIT COMPLETE
1-1	6400109	023-320-00	1	UNI-SERVO LH COMPLETE BRAKE ASSEMBLY
1-2	6400108	023-321-00	1	UNI-SERVO RH COMPLETE BRAKE ASSEMBLY
1-3	6400163	K23-318-00	1	DUO-SERVO LH COMPLETE BRAKE ASSEMBLY
1-4	6400171	K23-319-00	1	DUO-SERVO RH COMPLETE BRAKE ASSEMBLY
2-1	6450250	054-064-00	1	UNI-SERVO LH BRAKE CYLINDER
2-2	6450251	054-065-00	1	UNI-SERVO RH BRAKE CYLINDER
2-3	6450107	054-062-00	1	DUO-SERVO LH BRAKE CYLINDER
2-4	6450108	054-063-00	1	DUO-SERVO RH BRAKE CYLINDER
3	6450256	054-060-00	1 OR 2	CYLINDER PUSH ROD US (1) DS (2)
4	6450386	043-029-00	1	ADJUSTER ASSEMBLY
5	6451004	005-113-00	1	ANCHOR POST WASHER
6	6450249	046-101-00	2	RETRACTOR SPRING
7	6450229	046-102-00	1	ADJUSTING SCREW SPRING
8	6450038	046-007-00	1	ADJUSTER SLOT PLUG
9**	6451005	087-001-00	2	SEMS (SCREW & WASHER ASSEMBLY)
10	6450308	006-193-00	5	NUT WASHER ASSEMBLY
NS	-	-	1	BLEEDER SCREW (INCLUDED WITH ITEM 2)
11	-	047-110-01	1	LH PARKING LEVER & PIN ASSEMBLY
11	-	047-111-01	1	RH PARKING LEVER & PIN ASSEMBLY
12	-	005-112-00	1	SPRING TENSION WASHER
13	6450190	069-055-00	1	RETAINER
NS	-	054-089-00	1	BLEEDER SCREW (INCLUDED WITH ITEM 2)
NS**	6450082	071-515-00	1	PARK BRAKE CABLE
14	-	047-109-00	1	PARKING STRUT
15	6450387	046-103-00	1	PARKING STRUT SPRING



1-1



1-2



2-1

2-2



2-3

2-4



HYDRAULIC BRAKE ASSEMBLIES

\* Quantity per brake. \*\* Item Sold Separately.



# 7,000 LBS. • 12" X 2" HYDRAULIC FREEBACKING MARINE BRAKE ASSEMBLY =



**Demco Freebacking Brakes** incorporate a "Fall-Away" shoe which diminishes shoe drag when backing. The galvanized backing plate, stainless steel spring hardware, plated wheel cylinder and riveted marine brake shoe make this brake assembly highly durable. **Requires periodic manual adjustment.**

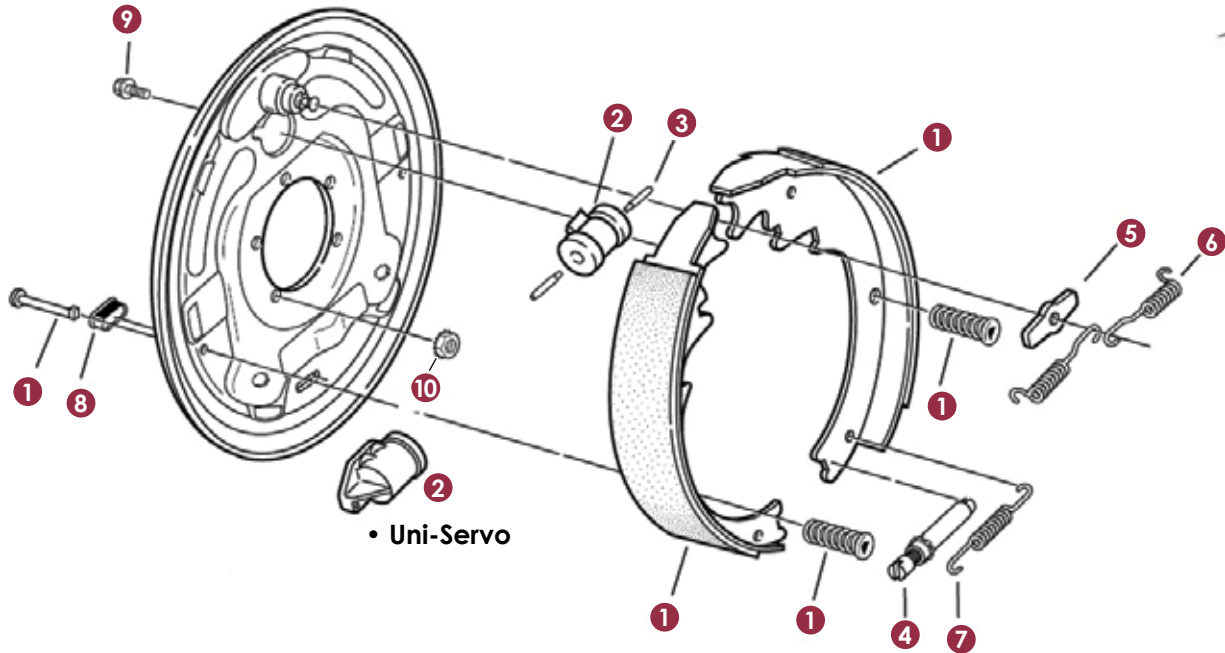


- Demco Marine Brake has galvanized back plate, stainless steel spring hardware, plated wheel cylinder and riveted marine brake shoe.
- 5 on 3.875" Bolt Hole Pattern
- 14.5" - 16" Wheel Size

REF NO.	ITEM NO.	ID NO.	QTY.*	DESCRIPTION
1-1	6400086	SB42029M	1	LH COMPLETE BRAKE ASSEMBLY
1-2	6400085	SB42028M	1	RH COMPLETE BRAKE ASSEMBLY
2	6450394	SB9777M	1	LH WHEEL CYLINDER ASSEMBLY
2	6450393	SB9776M	1	RH WHEEL CYLINDER ASSEMBLY

\* Quantity per brake.

# 7,000 LBS. • 12" X 2" UNI-SERVO HYDRAULIC BRAKE ASSEMBLY =



- Uni-Servo brakes to be used with surge actuator
- This brake is rated to a maximum capacity of 7,000 lbs. / pair

REF NO.	ITEM NO.	ID NO.	QTY.*	DESCRIPTION
1	6450071	K71-269-00	1	LH SHOE & LINING KIT COMPLETE
1	6450070	K71-270-00	1	RH SHOE & LINING KIT COMPLETE
1-1	6400066	023-338-00	1	UNI-SERVO LH COMPLETE BRAKE ASSEMBLY
1-2	6400067	023-339-00	1	UNI-SERVO RH COMPLETE BRAKE ASSEMBLY
1-3	6400071	023-336-00	1	DUO-SERVO LH COMPLETE BRAKE ASSEMBLY
1-4	6400072	023-337-00	1	DUO-SERVO RH COMPLETE BRAKE ASSEMBLY
2-1	6450250	054-064-00	1	UNI-SERVO LH BRAKE CYLINDER
2-2	6450251	054-065-00	1	UNI-SERVO RH BRAKE CYLINDER
2-3	6450107	054-062-00	1	DUO-SERVO LH BRAKE CYLINDER
2-4	6450108	054-063-00	1	DUO-SERVO RH BRAKE CYLINDER
3	6450256	054-060-00	1 OR 2	CYLINDER PUSH ROD US (1) DS (2)
4	6450386	043-029-00	1	ADJUSTER ASSEMBLY
5	6451004	005-113-00	1	ANCHOR POST WASHER
6	6450249	046-101-00	2	RETRACTOR SPRING
7	6450229	046-102-00	1	ADJUSTING SCREW SPRING
8	6450038	046-007-00	1	ADJUSTER SLOT PLUG
9**	6451005	087-001-00	2	SEMS (SCREW & WASHER ASSEMBLY)
10	6450308	006-193-00	5	NUT WASHER ASSEMBLY
NS	-	-	1	BLEEDER SCREW (INCLUDED WITH ITEM 2)

\* Quantity per brake. \*\* Item Sold Separately.



1-1



1-2



2-1



2-2



2-3

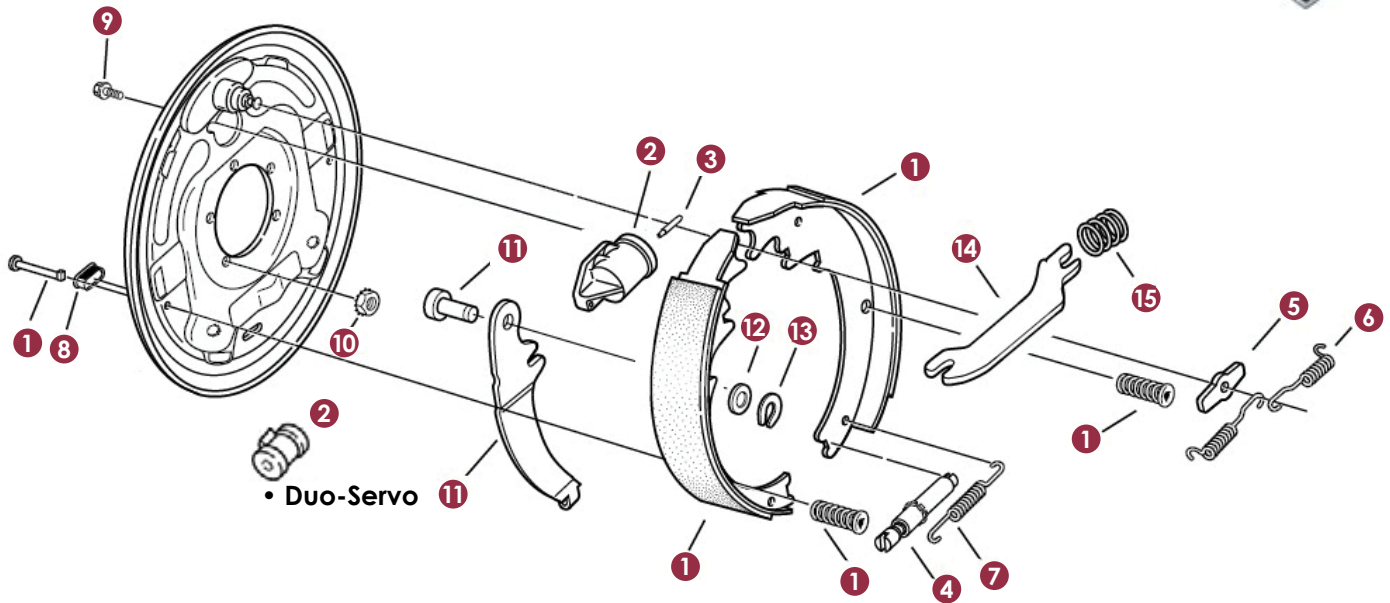


2-4

HYDRAULIC BRAKE ASSEMBLIES



# 7,000 LBS. • 12" X 2" UNI-SERVO HYDRAULIC PARK BRAKE ASSEMBLY



- Uni-Servo brakes to be used with surge actuator
- This brake is rated to a maximum capacity of 7,000 lbs. / pair



1-1



1-2



2-1

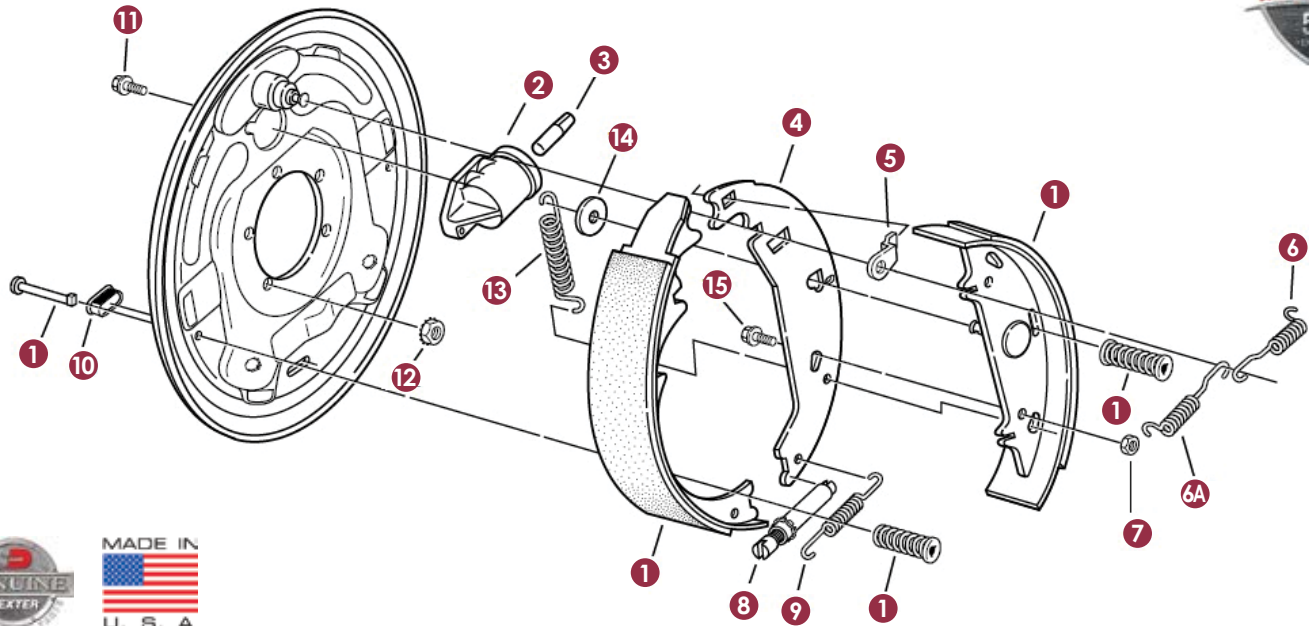
2-2

REF NO.	ITEM NO.	ID NO.	QTY.*	DESCRIPTION
1	6450071	K71-269-00	1	LH SHOE & LINING KIT COMPLETE
1	6450070	K71-270-00	1	RH SHOE & LINING KIT COMPLETE
1-1	6400069	023-334-00	1	UNI-SERVO LH COMPLETE BRAKE ASSEMBLY
1-2	6400070	023-335-00	1	UNI-SERVO RH COMPLETE BRAKE ASSEMBLY
2-1	6450250	054-064-00	1	UNI-SERVO LH BRAKE CYLINDER
2-2	6450251	054-065-00	1	UNI-SERVO RH BRAKE CYLINDER
3	6450256	054-060-00	1	CYLINDER PUSH ROD US (1)
4	6450386	043-029-00	1	ADJUSTER ASSEMBLY
5	6451004	005-113-00	1	ANCHOR POST WASHER
6	6450249	046-101-00	2	RETRACTOR SPRING
7	6450229	046-102-00	1	ADJUSTING SCREW SPRING
8	6450038	046-007-00	1	ADJUSTER SLOT PLUG
9**	6451005	087-001-00	2	SEMS (SCREW & WASHER ASSEMBLY)
10	6450308	006-193-00	5	NUT WASHER ASSEMBLY
NS	-	-	1	BLEEDER SCREW (INCLUDED WITH ITEM 2)
11	-	047-110-01	1	LH PARKING LEVER & PIN ASSEMBLY
11	-	047-111-01	1	RH PARKING LEVER & PIN ASSEMBLY
12	-	005-112-00	1	SPRING TENSION WASHER
13	6450190	069-055-00	1	RETAINER
NS	-	054-089-00	1	BLEEDER SCREW (INCLUDED WITH ITEM 2)
NS**	6450082	071-515-00	1	PARK BRAKE CABLE
14	-	047-109-00	1	PARKING STRUT
15	6450387	046-103-00	1	PARKING STRUT SPRING

\* Quantity per brake. \*\* Item Sold Separately.



# 7,000 LBS. • 12" X 2" HYDRAULIC FREEBACKING BRAKE ASSEMBLY



- Uni-Servo brakes to be used with surge actuator
- This brake is rated to a maximum capacity of 7,000 lbs. / pair

HYDRAULIC FREEBACKING BRAKE					MARINE	
					CORROSION RESISTANT HYDRAULIC FREEBACKING BRAKE	
REF NO.	ITEM NO.	ID NO.	QTY.*	DESCRIPTION	ITEM NO.	ID NO.
1	6450053	K71-394-00	1	LH SHOE & LINING KIT COMPLETE	-	K71-427-00
1	6450083	K71-395-00	1	RH SHOE & LINING KIT COMPLETE	-	K71-428-00
1-1	6400008	023-342-00	1	UNI-SERVO LH COMPLETE BRAKE ASSEMBLY	-	023-342-01
1-2	6400009	023-343-00	1	UNI-SERVO RH COMPLETE BRAKE ASSEMBLY	-	023-343-01
2-1	6450250	054-064-00	1	UNI-SERVO LH BRAKE CYLINDER	6450250-02	054-064-01
2-2	6450251	054-065-00	1	UNI-SERVO RH BRAKE CYLINDER	6450251-02	054-065-01
3	6450256	054-060-00	1	CYLINDER PUSH ROD US (1)	6450256	054-060-00
4	-	040-244-01	1	SHOE LEVER	-	040-244-02
5	-	037-069-02	1	TRAVEL LINK	-	037-069-02
6	-	046-107-01	1	SHOE LEVER RETURN SPRING	-	046-107-03
6A	6450249	046-101-00	1	RETRACTOR SPRING	6450249	046-101-00
7	9000143	006-011-00	1	LOCKNUT	9000143	006-011-00
8	-	043-028-00	1	ADJUSTER ASSEMBLY	-	043-028-00
9	6450286	046-123-00	1	ADJUSTING SCREW SPRING	6450286	046-123-00
10	6450038	046-007-00	1	ADJUSTER SLOT PLUG	6450038	046-007-00
11	6451005	087-001-00	2	SEMS (SCREW & WASHER ASSEMBLY)	6451005	087-001-00
12**	6450308	006-193-00	5	NUT WASHER ASSEMBLY	6450308	006-193-00
13	6451007	046-108-01	1	PRIMARY SHOE RETURN	-	046-108-03
14	-	005-064-00	1	WASHER	-	005-064-00
15	-	007-210-00	1	SCREW	-	007-210-00
NS	-	054-089-00	1	BLEEDER SCREW (INCLUDED WITH ITEM 2)	-	054-089-00

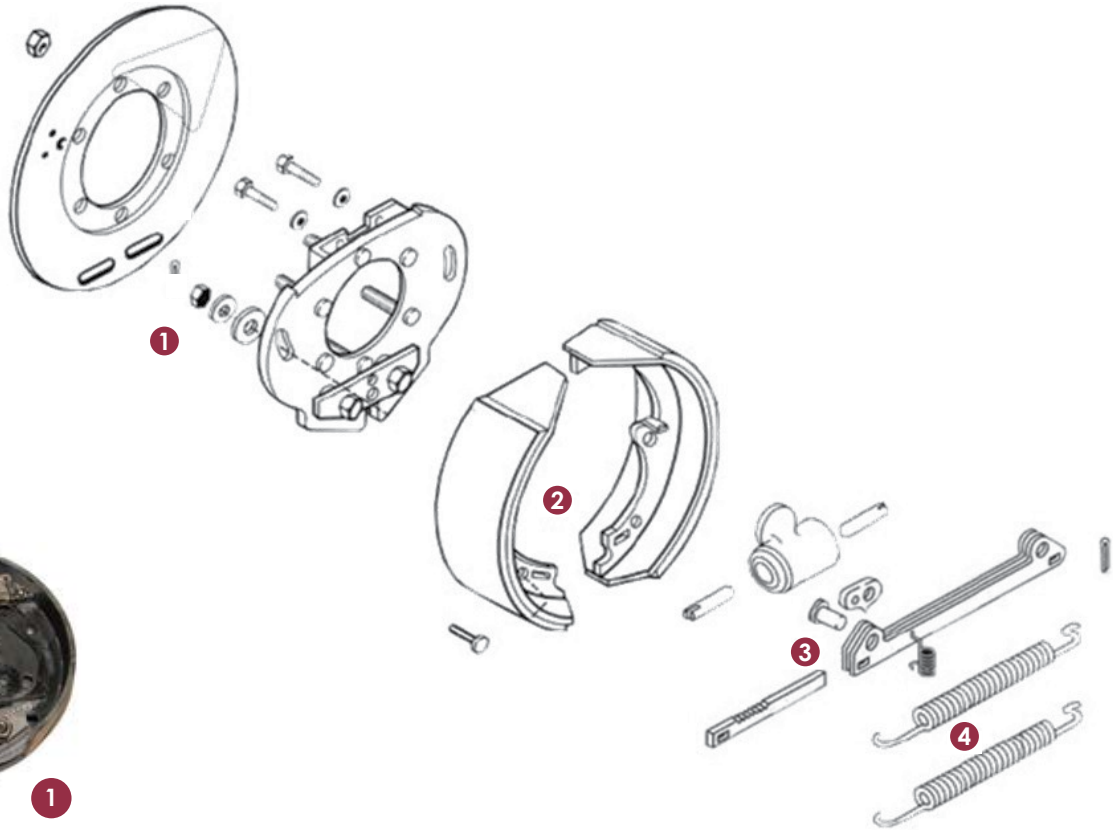
\* Quantity per brake. \*\* Item Sold Separately.

HYDRAULIC BRAKE ASSEMBLIES



# 8,000 LBS. • 12" X 3 3/8" DUO-SERVO HYDRAULIC BRAKE ASSEMBLY

**2** YEAR  
WARRANTY



1



2



3

• Shown Assembled

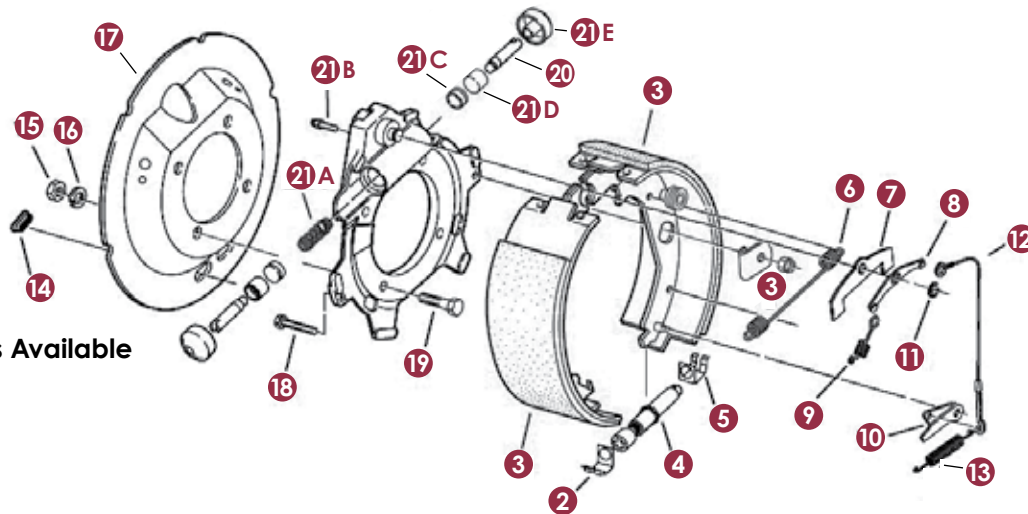
REF NO.	ITEM NO.	ID NO.	QTY.*	DESCRIPTION
1	6400080	568004	1	LH OR RH COMPLETE BRAKE ASSY.
2	6450058	K363925	1	LH OR RH SHOE & LINING KIT
3	6450492	568259	1	SELF-ADJUSTER ASSEMBLY CONSISTING OF:
			1	RACK
			1	CLEVIS PIN 3/8" X 3/4"
			1	PAWL
			1	SPRING-PAWL
			1	SLEEVE ASSEMBLY
			1	COTTER PIN 5/32" X 3/4"
4	6450295	568226	2	SHOE RETRACTING SPRING

\* Quantity per brake.

**AL-KO**  
GENUINE PARTS  
By DEXTER



# 8,000 LBS. • 12 1/4" X 3 3/8" FORWARD SELF-ADJUSTING HYDRAULIC BRAKE ASSEMBLY =



• ABS Parts Available

• This brake is rated to a maximum capacity of 8,000 lbs. / pair

REF NO.	ITEM NO.	ID NO.	QTY.*	DESCRIPTION
1-1	6400041	023-402-00	1	DUO-SERVO LH COMPLETE BRAKE ASSY.
1-2	6400042	023-403-00	1	DUO-SERVO RH COMPLETE BRAKE ASSY.
2	6450100	046-132-00	1	ADJUSTER CLIP (THREAD END)
3	6450081	K71-165-00	1	LH SHOE & LINING KIT COMPLETE
3	6450080	K71-166-00	1	RH SHOE & LINING KIT COMPLETE
4	6450011	048-019-00	1	LH ADJUSTER ASSEMBLY
4	6450010	048-020-00	1	RH ADJUSTER ASSEMBLY
5	6450101	046-133-00	1	ADJUSTER CLIP (BARREL END)
6	6450219	046-087-00	1	RETRACTOR SPRING
7	6450260	034-062-00	1	PISTON STOP
8	6450280	071-456-00	1	CABLE ATTACHMENT BRACKET
9	6450291	046-131-01	1	EXTENSION SPRING
10	6450146	071-464-00	1	LH ADJUSTER LEVER
10	6450150	071-463-00	1	RH ADJUSTER LEVER
11	6450264	069-053-00	1	RETAINER
12	6450088	071-462-00	1	ADJUSTER CABLE
13	6450013	046-135-00	1	LH ADJUSTER SPRING
13	6450014	046-134-00	1	RH ADJUSTER SPRING
14**	6450038	046-007-00	2	ADJUSTER SLOT PLUG
15**	9000137	006-129-00	4	BRAKE MOUNTING NUT
16**	9000251	005-058-00	4	LOCK WASHER
17**	6450113	036-115-20	1	DUST SHIELD
18	6450203	007-113-00	2	SHOE HOLD DOWN SCREW
19**	6450019	007-097-00	4	BRAKE MOUNTING BOLT
20	6450259	054-033-00	2	CYLINDER PUSH ROD DS (2)
21	6450027	K71-080-00	1	WHEEL CYLINDER KIT 1.00" BORE CONTAINS:
21A	-	046-130-00	1	SPRING
21B	-	054-032-00	2	BOOT
21C	-	054-041-00	2	PISTON
21D	-	054-085-00	2	CUP
21E	-	054-035-00	1	BLEEDER SCREW



1-1



1-2



21

= HYDRAULIC BRAKE ASSEMBLIES



\* Quantity per brake. \*\* Item Sold Separately.

# 9K-15K HEAVY DUTY FORWARD SELF-ADJUSTING HYDRAULIC BRAKES

Anchor post of high strength steel to accept high torques of heavy duty brake service.

Spider Assembly is high strength ductile iron with integral cast hydraulic cylinder. Designed for long life under heavy duty braking conditions.

Retractor Spring assures uniform return of both brake shoes after stop.

Dust Shield (not shown) protects brake from foreign material, thus allowing trouble-free operation.

Positive Brake Shoe Hold-Down for smooth brake shoe movement.

Brake Lining are truck type for improved stopping force and extended service life. Linings are bonded to brake shoes for more useable lining life.

Adjuster Link transmits braking forces between brake shoes. Length is adjusted during normal vehicle forward and reverse operation to maintain close brakes shoe-to-drum relation for maximum braking efficiency and service-free operation.

Adjuster Spring holds heel ends of brake shoes engaged with adjuster link.

Adjuster Pawl is cable actuated when brake is applied while vehicle is operating in forward or reverse.

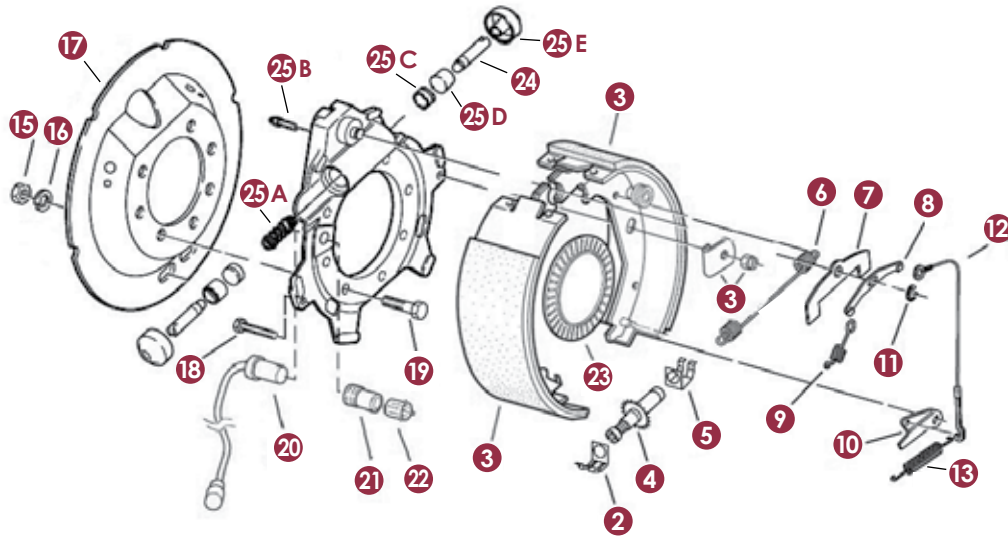
*NOTE: Hydraulic brakes equipped with parking feature adjust ONLY when the brake is applied while vehicle is operating in reverse.*



ITEM NO.	ID NO.	CAPACITY*	SIZE	DESCRIPTION	CAT PG.
6400014	023-410-00	9K, 10KGD, #13G	12-1/4" x 3-3/8"	LH COMPLETE BRAKE ASSEMBLY	B-41
6400015	023-411-00	9K, 10KGD, #13G	12-1/4" x 3-3/8"	RH COMPLETE BRAKE ASSEMBLY	B-41
6400020	023-404-00	10K, #13D	12-1/4" x 4"	LH COMPLETE BRAKE ASSEMBLY	B-43
6400021	023-405-00	10K, #13D	12-1/4" x 4"	RH COMPLETE BRAKE ASSEMBLY	B-43
6400088	023-408-00	12K, #14T	12-1/4" x 5"	LH COMPLETE BRAKE ASSEMBLY	B-44
6400089	023-409-00	12K, #14T	12-1/4" x 5"	RH COMPLETE BRAKE ASSEMBLY	B-44
6400090	023-406-00	15K	12-1/4" x 5"	LH COMPLETE BRAKE ASSEMBLY	B-45
6400091	023-407-00	15K	12-1/4" x 5"	RH COMPLETE BRAKE ASSEMBLY	B-45

HYDRAULIC BRAKE ASSEMBLIES

# 9K-10K LBS. GD • 12 1/4" X 3 3/8" FORWARD SELF-ADJUSTING HYDRAULIC BRAKE ASSEMBLY =



REF NO.	ITEM NO.	ID NO.	QTY.*	DESCRIPTION
1-1	6400014	023-410-00	1	DUO-SERVO LH COMPLETE BRAKE ASSY.
1-2	6400015	023-411-00	1	DUO-SERVO RH COMPLETE BRAKE ASSY.
2	6450100	046-132-00	1	ADJUSTER CLIP (THREAD END)
3	6450081	K71-165-00	1	LH SHOE & LINING KIT COMPLETE
3	6450080	K71-166-00	1	RH SHOE & LINING KIT COMPLETE
4	6450011	048-019-00	1	LH ADJUSTER ASSEMBLY
4	6450010	048-020-00	1	RH ADJUSTER ASSEMBLY
5	6450101	046-133-00	1	ADJUSTER CLIP (BARREL END)
6	6450219	046-087-00	1	RETRACTOR SPRING
7	6450260	034-062-00	1	PISTON STOP
8	6450280	071-456-00	1	CABLE ATTACHMENT BRACKET
9	6450291	046-131-01	1	EXTENSION SPRING
10	6450146	071-464-00	1	LH ADJUSTER LEVER
10	6450150	071-463-00	1	RH ADJUSTER LEVER
11	6450264	069-053-00	1	RETAINER
12	6450088	071-462-00	1	ADJUSTER CABLE
13	6450013	046-135-00	1	LH ADJUSTER SPRING
13	6450014	046-134-00	1	RH ADJUSTER SPRING
15**	6450181	006-017-00	7	BRAKE MOUNTING NUT
16**	9000251	005-058-00	7	LOCK WASHER
17**	6450118	036-115-21	1	DUST SHIELD
18	6450203	007-113-00	2	SHOE HOLD DOWN SCREW
19**	6450020	007-116-00	7	BRAKE MOUNTING BOLT
20+	6050079	097-004-00	1	ABS SENSOR STRAIGHT
21+	6050078	024-204-00	1	ABS SENSOR MOUNTING BLOCK
22+	6050055	097-002-00	1	ABS SENSOR RETAINING CLIP
23+	6050071	024-203-00	1	ABS TONE RING IN DRUM
24	6450259	054-033-00	2	CYLINDER PUSH ROD DS (2)
25	6450028	K71-081-00	1	WHEEL CYLINDER KIT 1.25" BORE CONTAINS:
25A	-	046-128-00	1	SPRING
25B	-	054-032-00	2	BOOT
25C	-	054-030-00	2	PISTON
25D	-	054-087-00	2	CUP
25E	-	054-035-00	1	BLEEDER SCREW



1-1



1-2



25

HYDRAULIC BRAKE ASSEMBLIES

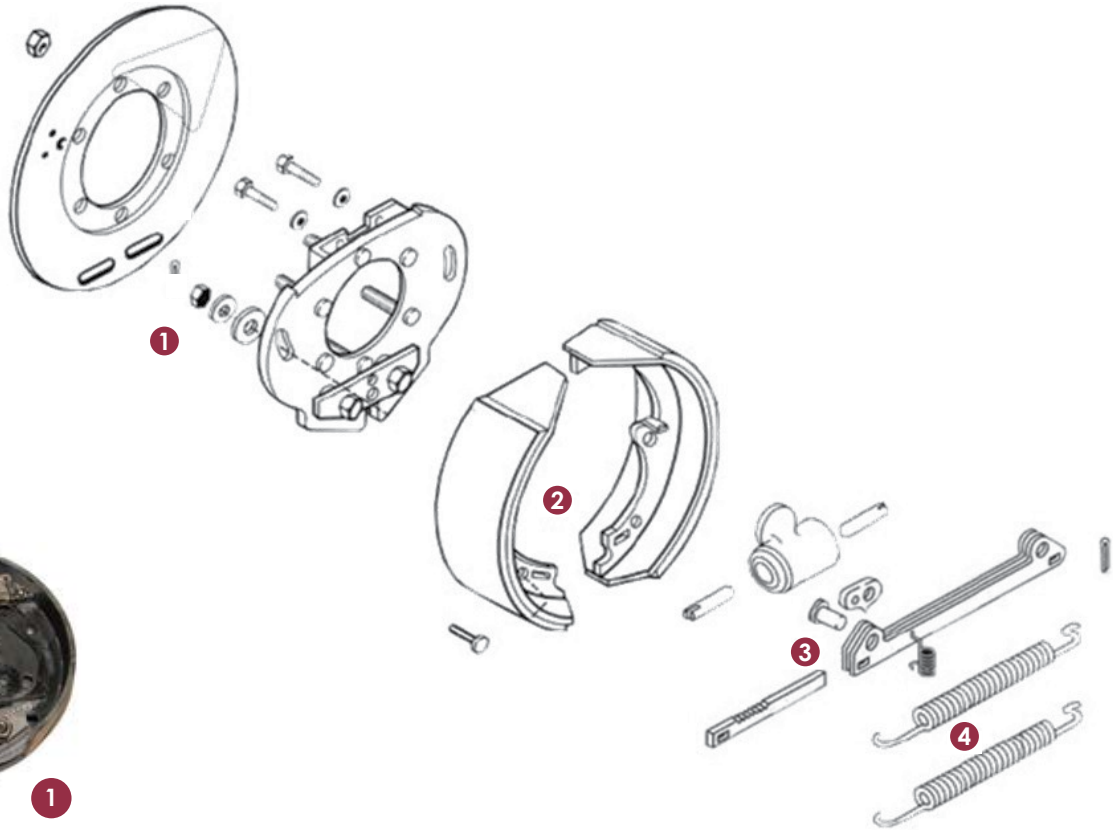


\* Quantity per brake. \*\* Item Sold Separately. + ABS Option.



# 10K-12K LBS. • 12 1/4" X 3 1/2" DUO-SERVO HYDRAULIC BRAKE ASSEMBLY

**2** YEAR  
WARRANTY



1



2



3

• Shown Assembled

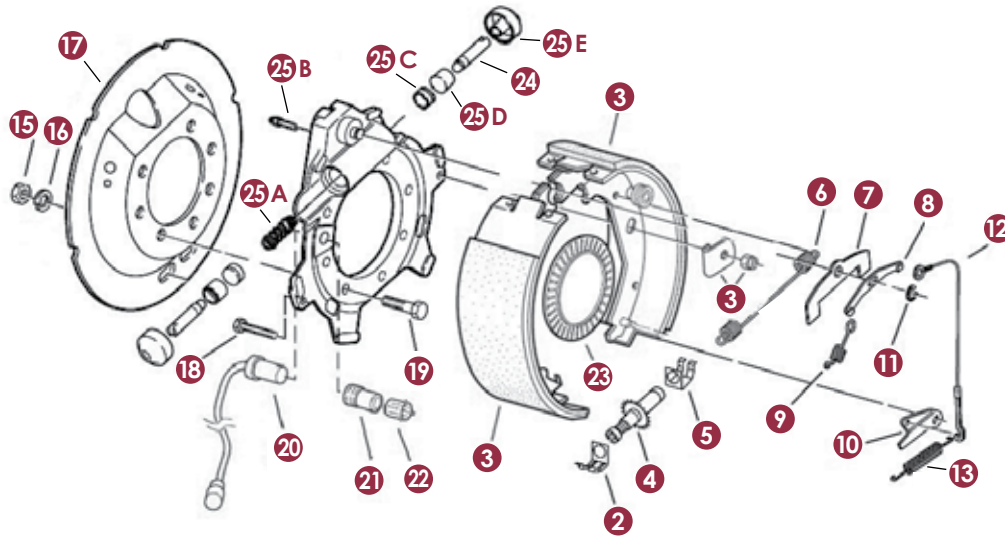
REF NO.	ITEM NO.	ID NO.	QTY.*	DESCRIPTION
1	6400195	K568213	1	LH OR RH COMPLETE BRAKE ASSY.
2	6450062	K568234	1	LH OR RH SHOE & LINING KIT
3	6450492	568259	1	SELF-ADJUSTER ASSEMBLY CONSISTING OF:
			1	RACK
			1	CLEVIS PIN 3/8" X 3/4"
			1	PAWL
			1	SPRING-PAWL
			1	SLEEVE ASSEMBLY
			1	COTTER PIN 5/32" X 3/4"
4	6450295	568226	2	SHOE RETRACTING SPRING

\* Quantity per brake.

**AL-KO**  
GENUINE PARTS  
By DEXTER



# 10,000 LBS. • 12 ¼" X 4" FORWARD SELF-ADJUSTING HYDRAULIC BRAKE ASSEMBLY =



REF NO.	ITEM NO.	ID NO.	QTY.*	DESCRIPTION
1-1	6400020	023-404-00	1	DUO-SERVO LH COMPLETE BRAKE ASSY.
1-2	6400021	023-405-00	1	DUO-SERVO RH COMPLETE BRAKE ASSY.
2	6450100	046-132-00	1	ADJUSTER CLIP (THREAD END)
3	6450074	K71-167-00	1	LH SHOE & LINING KIT COMPLETE
3	6450073	K71-168-00	1	RH SHOE & LINING KIT COMPLETE
4	6450011	048-019-00	1	LH ADJUSTER ASSEMBLY
4	6450010	048-020-00	1	RH ADJUSTER ASSEMBLY
5	6450101	046-133-00	1	ADJUSTER CLIP (BARREL END)
6	6450219	046-087-00	1	RETRACTOR SPRING
7	6450260	034-062-00	1	PISTON STOP
8	6450280	071-456-00	1	CABLE ATTACHMENT BRACKET
9	6450291	046-131-01	1	EXTENSION SPRING
10	6450146	071-464-00	1	LH ADJUSTER LEVER
10	6450150	071-463-00	1	RH ADJUSTER LEVER
11	6450264	069-053-00	1	RETAINER
12	6450088	071-462-00	1	ADJUSTER CABLE
13	6450013	046-135-00	1	LH ADJUSTER SPRING
13	6450014	046-134-00	1	RH ADJUSTER SPRING
15**	6450181	006-017-00	7	BRAKE MOUNTING NUT
16**	9000251	005-058-00	7	LOCK WASHER
17**	6450269	036-115-22	1	DUST SHIELD
18	6450203	007-113-00	2	SHOE HOLD DOWN SCREW
19**	6450020	007-116-00	7	BRAKE MOUNTING BOLT
20+	6050079	097-004-00	1	ABS SENSOR STRAIGHT
21+	6050078	024-204-00	1	ABS SENSOR MOUNTING BLOCK
22+	6050055	097-002-00	1	ABS SENSOR RETAINING CLIP
23+	6050071	024-203-00	1	ABS TONE RING IN DRUM
24	6450259	054-033-00	2	CYLINDER PUSH ROD DS (2)
25	6450028	K71-081-00	1	WHEEL CYLINDER KIT 1.25" BORE CONTAINS:
25A	-	046-128-00	1	SPRING
25B	-	054-032-00	2	BOOT
25C	-	054-030-00	2	PISTON
25D	-	054-087-00	2	CUP
25E	-	054-035-00	1	BLEEDER SCREW



1-1



1-2



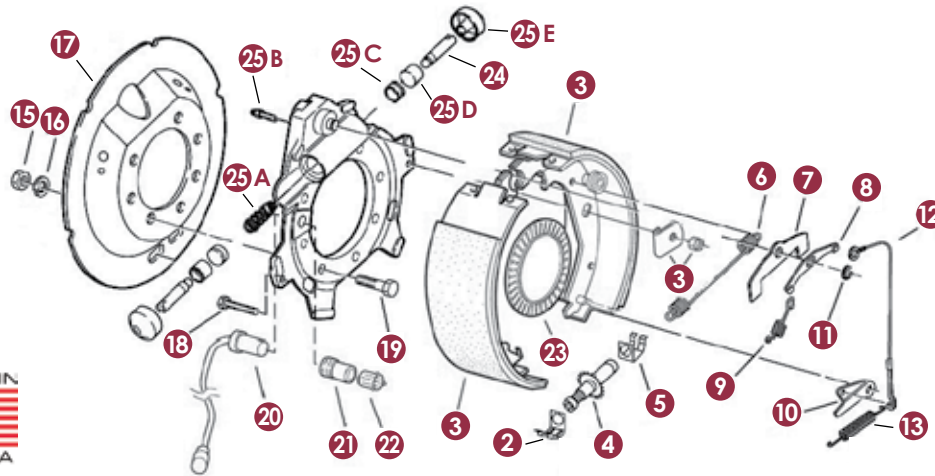
25

HYDRAULIC BRAKE ASSEMBLIES



\* Quantity per brake. \*\* Item Sold Separately. + ABS Option.

# 12K-15K LBS. • 12 ¼" X 5" FORWARD SELF-ADJUSTING HYDRAULIC BRAKE ASSEMBLY



REF NO.	12K Hydraulic Brake		15K Hydraulic Brake		QTY.*	DESCRIPTION
	ITEM NO.	ID NO.	ITEM NO.	ID NO.		
1-1	6400088	023-408-00	6400090	023-406-00	1	DUO-SERVO LH COMPLETE BRAKE ASSEMBLY
1-2	6400089	023-409-00	6400091	023-407-00	1	DUO-SERVO RH COMPLETE BRAKE ASSEMBLY
2	6450100	046-132-00	6450100	046-132-00	1	ADJUSTER CLIP (THREAD END)
3	6450077	K71-169-00	6450077	K71-169-00	1	LH SHOE & LINING KIT COMPLETE
3	6450076	K71-170-00	6450076	K71-170-00	1	RH SHOE & LINING KIT COMPLETE
4	6450011	048-019-00	6450011	048-019-00	1	LH ADJUSTER ASSEMBLY
4	6450010	048-020-00	6450010	048-020-00	1	RH ADJUSTER ASSEMBLY
5	6450101	046-133-00	6450101	046-133-00	1	ADJUSTER CLIP (BARREL END)
6	6450219	046-087-00	6450219	046-087-00	1	RETRACTOR SPRING
7	6450260	034-062-00	6450260	034-062-00	1	PISTON STOP
8	6450280	071-456-00	6450280	071-456-00	1	CABLE ATTACHMENT BRACKET
9	6450291	046-131-01	6450291	046-131-01	1	EXTENSION SPRING
10	6450146	071-464-00	6450146	071-464-00	1	LH ADJUSTER LEVER
10	6450150	071-463-00	6450150	071-463-00	1	RH ADJUSTER LEVER
11	6450264	069-053-00	6450264	069-053-00	1	RETAINER
12	6450088	071-462-00	6450088	071-462-00	1	ADJUSTER CABLE
13	6450013	046-135-00	6450013	046-135-00	1	LH ADJUSTER SPRING
13	6450014	046-134-00	6450014	046-134-00	1	RH ADJUSTER SPRING
15**	6450181	006-017-00	6450181	006-017-00	7	BRAKE MOUNTING NUT
16**	9000251	005-058-00	9000251	005-058-00	7	LOCK WASHER
17**	6450117	036-115-23	6450117	036-115-23	1	DUST SHIELD
18	6450203	007-113-00	6450203	007-113-00	2	SHOE HOLD DOWN SCREW
19**	6450020	007-116-00	6450020	007-116-00	7	BRAKE MOUNTING BOLT
20+	6050079	097-004-00	6050079	097-004-00	1	ABS SENSOR STRAIGHT
21+	6050078	024-204-00	6050078	024-204-00	1	ABS SENSOR MOUNTING BLOCK
22+	6050055	097-002-00	6050055	097-002-00	1	ABS SENSOR RETAINING CLIP
23+	6050071	024-203-00	6050071	024-203-00	1	ABS TONE RING IN DRUM
24	6450259	054-033-00	6450259	054-033-00	2	CYLINDER PUSH ROD DS (2)
25	6450028	K71-081-00	6450026	K71-082-00	1	WHEEL CYLINDER KIT CONTAINS:
25A	-	046-128-00	-	046-129-00	1	SPRING
25B	-	054-032-00	-	054-032-00	2	BOOT
25C	-	054-030-00	-	054-030-00	2	PISTON
25D	-	054-087-00	-	054-087-00	2	CUP
25E	-	054-035-00	-	054-035-00	1	BLEEDER SCREW

\* Quantity per brake. \*\* Item Sold Separately. + ABS Option.

# 3.5K-10K LBS. • HEAVY DUTY HYDRAULIC DISC BRAKES =



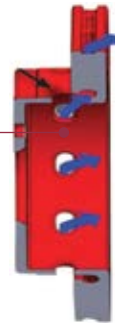
## EXPERIENCE THE DEEMAXX DIFFERENCE:

- **Exclusive MAXX COATING** on caliper passed *Salt Spray Test* per **ASTM-B-117-09** over 1008 hours with no RUST!
- **Exclusive** 120° Bleeder design means better bleeding, balanced system, and no more damaged bleeders!
- **Exclusive** Laser writing on caliper means instructions are always there!
- **Exclusive** Bolt design means no more mishandling or incorrect shipping of bolts!
- **Exclusive** Reverse Mount Slip On Rotor means cooler running, better plating, and no more premature corrosion!
- **LIMITED LIFETIME WARRANTY**
- Ceramic Brake Pads are slotted, chamfered, and have a Stainless Steel Clip!
- Equals better stopping, longer life and corrosion protection!
- Solid / Rigid Ductile Iron Casting eliminate flexing and give you more Brake Torque!
- Bracket design give you twice as many mounting options for your caliper position!
- Uses only ISO QUALITY Certified Factories!
- **PASSED THE SAE J2681 BRAKE TEST!**



Available in **MAXX COATING** or **STAINLESS STEEL** 3,500 lbs. to 10,000 lbs. General Duty. Available as a *Slip-On* or *Integral Kit*.

This unique rotor cross section design actively draws cooling air from the rotor interior.



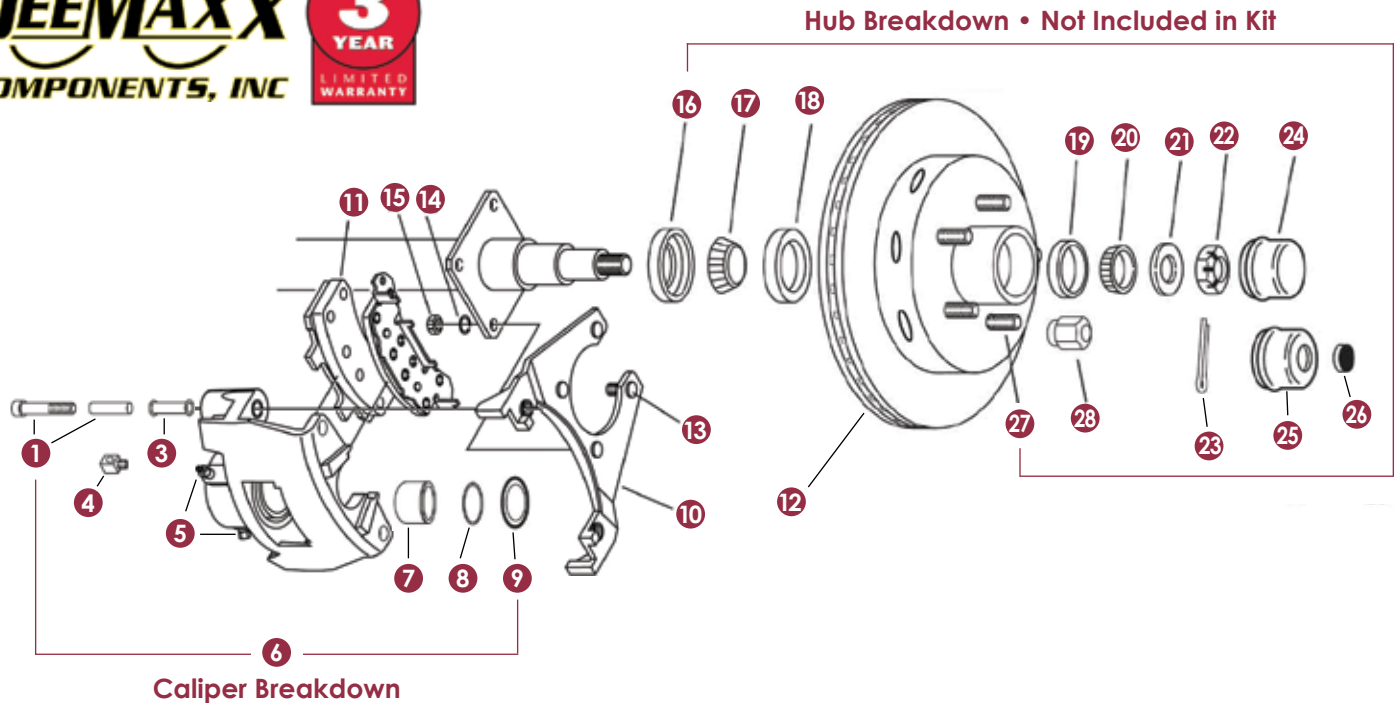
DEEMAXX Components Disc Brake Kits contain parts for one complete axle.

ITEM NO.	ID NO.	CAPACITY	SIZE	DESCRIPTION	CAT PG.
6450510	DBI-3.5K-MAXX	3.5K	10"	INTEGRAL DISC BRAKE KIT MAXX	B-46
6450511	DBI-3.5K-MAXX-SS	3.5K	10"	INTEGRAL DISC BRAKE KIT MAXX - SS CALIPER	B-46
6450503	DBSO-3.5K-MAXX	3.5K	10"	SLIP-ON DISC BRAKE KIT MAXX	B-47
6450504	DBSO-3.5K-MAXX-SS	3.5K	10"	SLIP-ON DISC BRAKE KIT MAXX - SS CALIPER	B-47
6450505	DBSO-3.5K-SS	3.5K	10"	SLIP-ON DISC BRAKE KIT STAINLESS STEEL	B-47
6450586	DBI-6K-MAXX	5.2-6K	12"	INTEGRAL DISC BRAKE KIT MAXX	B-48
6450587	DBI-6K-MAXX-SS	5.2-6K	12"	INTEGRAL DISC BRAKE KIT MAXX - SS CALIPER	B-48
6450579	DBSO-6K-MAXX	5.2-6K	12"	SLIP-ON DISC BRAKE KIT MAXX	B-49
6450580	DBSO-6K-MAXX-SS	5.2-6K	12"	SLIP-ON DISC BRAKE KIT MAXX - SS CALIPER	B-49
6450581	DBSO-6K-SS	5.2-6K	12"	SLIP-ON DISC BRAKE KIT STAINLESS STEEL	B-49
6450676	DBI-7K-MAXX	7K	13"	INTEGRAL DISC BRAKE KIT MAXX	B-50
6450677	DBI-7K-MAXX-SS	7K	13"	INTEGRAL DISC BRAKE KIT MAXX - SS CALIPER	B-50
6450681	DBI-7K9-MAXX	7K	13"	SLIP-ON DISC BRAKE KIT MAXX	B-51
6450657	DBSO-7K-MAXX	7K	13"	SLIP-ON DISC BRAKE KIT MAXX - SS CALIPER	B-51
6450658	DBSO-7K-MAXX-SS	7K	13"	SLIP-ON DISC BRAKE KIT STAINLESS STEEL	B-51
6450752	DBSO-8KD10-MAXX	8K 5/8" STUD	13"	SLIP-ON DISC BRAKE KIT MAXX	B-53
6450753	DBSO-8KD10-MAXX-SS	8K 5/8" STUD	13"	SLIP-ON DISC BRAKE KIT MAXX - SS CALIPER	B-53
6450755	DBSO-8KD10-SS	8K 5/8" STUD	13"	SLIP-ON DISC BRAKE KIT STAINLESS STEEL	B-53
6450745	DBSO-8KD9-MAXX	8K 9/16" STUD	13"	SLIP-ON DISC BRAKE KIT MAXX	B-53
6450747	DBSO-8KD9-MAXX-SS	8K 9/16" STUD	13"	SLIP-ON DISC BRAKE KIT MAXX - SS CALIPER	B-53
6450748	DBSO-8KD9-SS	8K 9/16" STUD	13"	SLIP-ON DISC BRAKE KIT STAINLESS STEEL	B-53
6450414*	DBSI-10K-MAXX	9K-10KGD	13"	INTEGRAL DISC BRAKE KIT MAXX	B-54

\* Designed specifically to work on 17.5" Dual Tandem applications only.



# 3,500 LBS. • 10" INTEGRAL DISC BRAKE ASSEMBLY =



- Replacement parts are compatible with other brands.
- Ask sales associate for details.

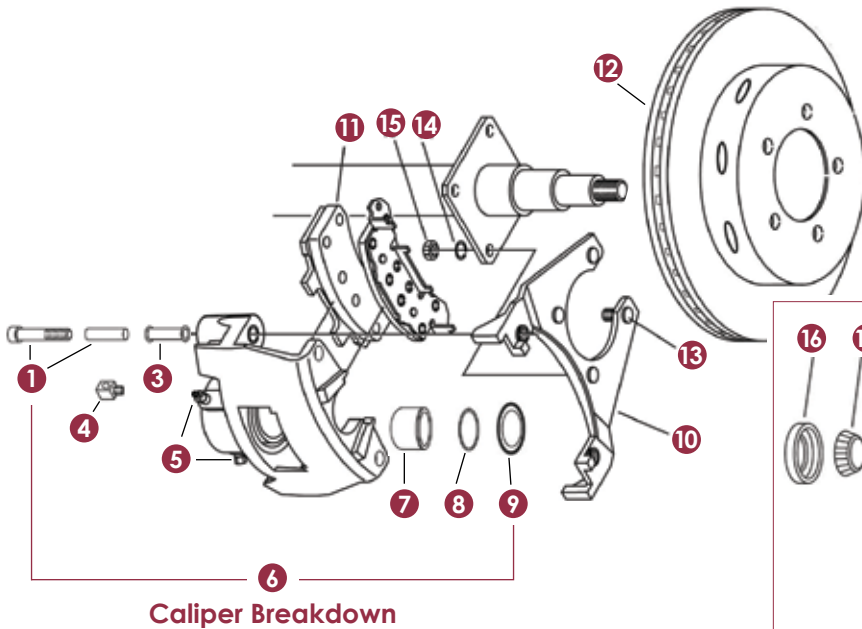
REF NO.	ITEM NO.	PER HUB	DESCRIPTION
1	6450408	2	STAINLESS STEEL GUIDE BOLT & STAINLESS STEEL SLEEVE
3	6450446	2	RUBBER BUSHING FOR GUIDE BOLT
4	6450552	2	ADAPTER PORT - 90 DEGREE
5	6450413	2	BLEED PORT
<b>CALIPER INCLUDES ITEMS 1-9</b>			
6	6450528	1	CALIPER MAXX
	6450529	1	CALIPER STAINLESS STEEL
7	6450548	1	STAINLESS STEEL PISTON
8	6450550	1	PISTON RUBBER SEAL
9	6450551	1	RUBBER DUST BOOT
10	6450410	1	CALIPER MOUNTING BRACKET MAXX
	6450535	1	CALIPER MOUNTING BRACKET SS
11	6450620	1	BRAKE PADS (SEMI-METALLIC)
	6450392	1	BRAKE PADS (CERAMIC)
12	6450525	1	545 10" HUB/ROTOR MAXX
13*	6450240	1	BRAKE MOUNTING BOLT - 3/8"-24
14*	7030112	1	LOCK WASHER - ZINC
15*	6450182	1	NUT - ZINC
16	7700085	1	SEAL 10-19

\* Not included with complete kit. Item sold separately.

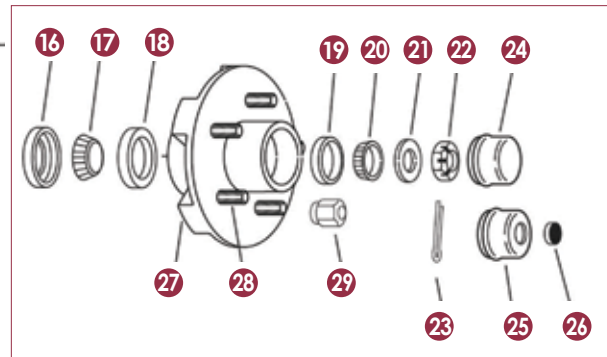
REF NO.	ITEM NO.	PER HUB	DESCRIPTION
17	7800006	1	INNER BEARING L68149
18	7800041	1	INNER RACE L68111
19	7800046	1	OUTER RACE L44610
20	7800010	1	OUTER BEARING L44649
21	**	1	SPINDLE WASHER
22	8750005	1	SPINDLE NUT
23	8750003	1	COTTER PIN
24	7700024	1	GREASE CAP
25	7700025	1	EZLUBE GREASE CAP
26	7700053	1	RUBBER PLUG FOR EXLUBE GREASE CAP
27	7700094	5	1/2" WHEEL STUD FOR GALVANIZED HUB LB 2.0
	7700159	5	1/2" WHEEL STUD FOR GAL-DEX DEXTER HUB 7-150
28	7700045	5	LUG NUT 1/2"
	7700044	5	CHROME LUG NUT 1/2"
	7700202	5	CHROME LUG NUT 1/2" LONG
<b>DISC BRAKE KITS<sup>+</sup></b>			
	6450510	1	DISC BRAKE KIT, MAXX
	6450511	1	DISC BRAKE KIT, MAXX - SS** CALIPER

\*\* See Section C-Hubs & Hubs-Drums for required spindle washer.  
 + Disc brake kits contain parts for ONE COMPLETE axle.  
 ++ Stainless Steel.

# 3,500 LBS. • 10" SLIP-ON DISC BRAKE ASSEMBLY



**Caliper Breakdown**



**Hub Breakdown • Not Included in Kit**

- Replacement parts are compatible with other brands.
- Ask sales associate for details.

REF NO.	ITEM NO.	PER HUB	DESCRIPTION
1	6450408	2	STAINLESS STEEL GUIDE BOLT & STAINLESS STEEL SLEEVE
3	6450446	2	RUBBER BUSHING FOR GUIDE BOLT
4	6450552	2	ADAPTER PORT - 90 DEGREE
5	6450413	2	BLEED PORT
<b>CALIPER INCLUDES ITEMS 1-9</b>			
6	6450528	1	CALIPER MAXX
	6450529	1	CALIPER STAINLESS STEEL
7	6450548	1	STAINLESS STEEL PISTON
8	6450550	1	PISTON RUBBER SEAL
9	6450551	1	RUBBER DUST BOOT
10	6450411	1	CALIPER MOUNTING BRACKET MAXX
	6450535	1	CALIPER MOUNTING BRACKET SS
11	6450620	1	BRAKE PADS (SEMI-METALLIC)
	6450392	1	BRAKE PADS (CERAMIC)
12	6450520	1	545 10" ROTOR MAXX
	6450521	1	545 10" ROTOR STAINLESS STEEL
13*	6450240	1	BRAKE MOUNTING BOLT - 3/8"-24
14*	7030112	1	LOCK WASHER - ZINC
15*	6450182	1	NUT - ZINC
16	7700085	1	SEAL 10-19
17	7800006	1	INNER BEARING L68149
18	7800041	1	INNER RACE L68111

\* Not included with complete kit. Item sold separately.

REF NO.	ITEM NO.	PER HUB	DESCRIPTION
19	7800046	1	OUTER RACE L44610
20	7800010	1	OUTER BEARING L44649
21	**	1	SPINDLE WASHER
22	8750005	1	SPINDLE NUT
23	8750003	1	COTTER PIN
24	7700024	1	GREASE CAP
25	7700025	1	EZLUBE GREASE CAP
26	7700053	1	RUBBER PLUG FOR EXLUBE GREASE CAP
27	7650073-GV	1	HUB 2-1/2" STUDS 5 ON 4.5 GALVANIZED
	7650073-GC	1	HUB 2-1/2" STUDS 5 ON 4.5 GAL-DEX
28	7700094	5	1/2" WHEEL STUD FOR GALVANIZED HUB LB 2.0
	7700159	5	1/2" WHEEL STUD FOR GAL-DEX DEXTER HUB 7-150
29	7700045	5	LUG NUT 1/2"
	7700044	5	CHROME LUG NUT 1/2"
	7700202	5	CHROME LUG NUT 1/2" LONG
<b>DISC BRAKE KITS<sup>+</sup></b>			
	6450503	1	DISC BRAKE KIT, MAXX
	6450504	1	DISC BRAKE KIT, MAXX - SS <sup>++</sup> CALIPER
	6450505	1	DISC BRAKE KIT, MAXX - STAINLESS STEEL

\*\* See Section C-Hubs & Hubs-Drums for required spindle washer.

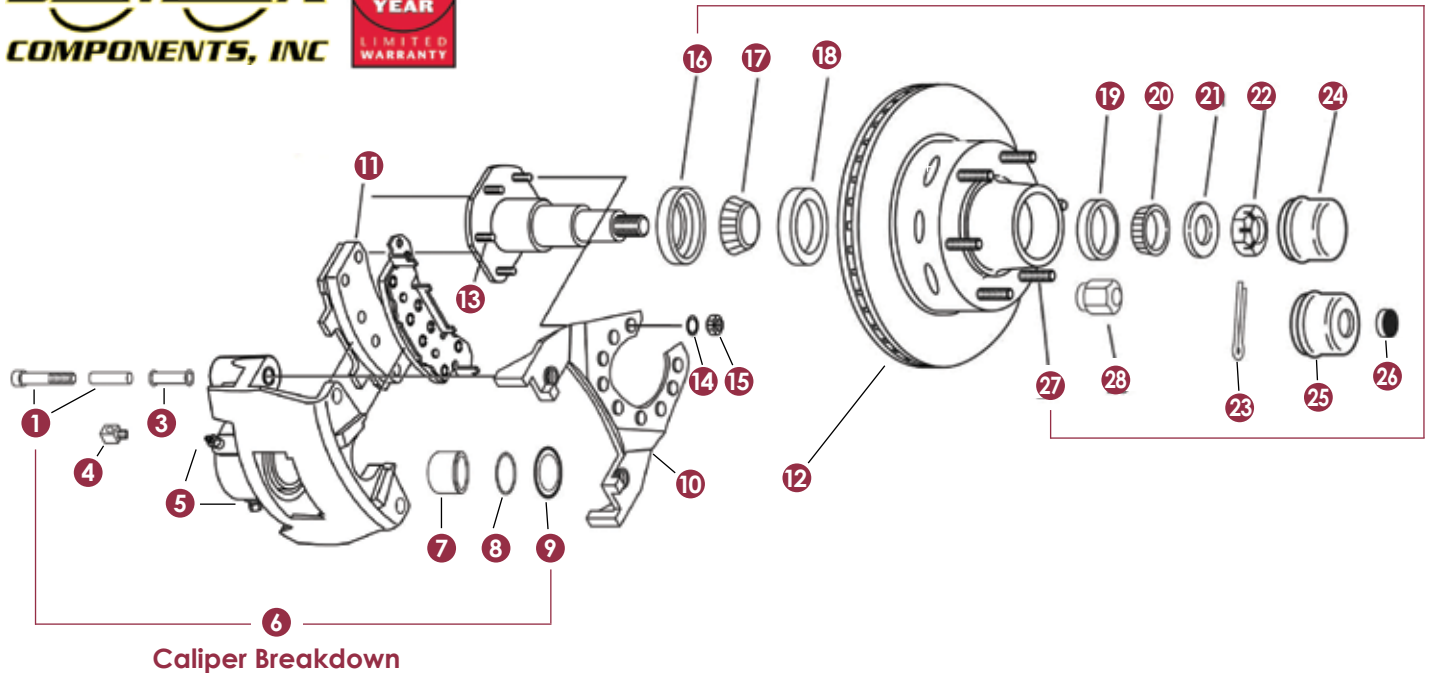
+ Disc brake kits contain parts for ONE COMPLETE axle.

++ Stainless Steel.

# 6,000 LBS. • 12" INTEGRAL DISC BRAKE ASSEMBLY =



Hub Breakdown • Not Included in Kit



- Replacement parts are compatible with other brands.
- Ask sales associate for details.

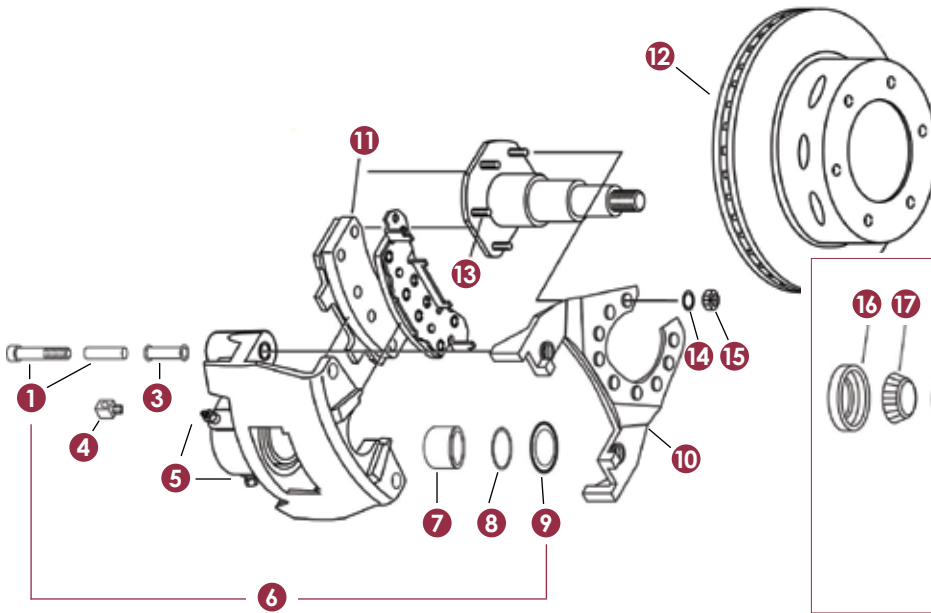
REF NO.	ITEM NO.	PER HUB	DESCRIPTION
1	6450408	2	STAINLESS STEEL GUIDE BOLT & STAINLESS STEEL SLEEVE
3	6450446	2	RUBBER BUSHING FOR GUIDE BOLT
4	6450552	2	ADAPTER PORT - 90 DEGREE
5	6450413	2	BLEED PORT
<b>CALIPER INCLUDES ITEMS 1-9</b>			
6	6450528	1	CALIPER MAXX
	6450529	1	CALIPER STAINLESS STEEL
7	6450548	1	STAINLESS STEEL PISTON
8	6450550	1	PISTON RUBBER SEAL
9	6450551	1	RUBBER DUST BOOT
10	6450471	1	CALIPER MOUNTING BRACKET MAXX
	6450412	1	CALIPER MOUNTING BRACKET SS
11	6450620	1	BRAKE PADS (SEMI-METALLIC)
	6450392	1	BRAKE PADS (CERAMIC)
12	6450605	1	655 12" HUB/ROTOR MAXX
13*	6450240	1	BRAKE MOUNTING BOLT - 3/8"-24
14*	7030112	1	LOCK WASHER - ZINC
15*	6450182	1	NUT - ZINC
16	7700073	1	SEAL 10-36

\* Not included with complete kit. Item sold separately.

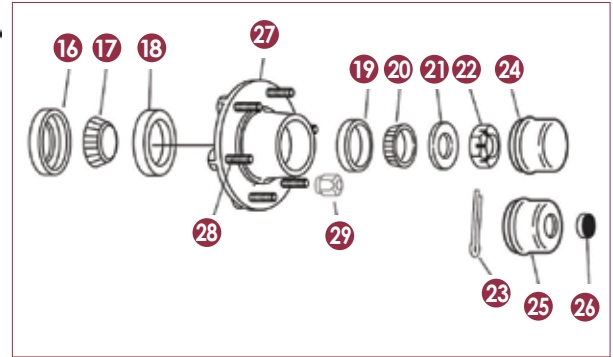
REF NO.	ITEM NO.	PER HUB	DESCRIPTION
17	7800026	1	INNER BEARING 25580
18	7800054	1	INNER RACE 25520
19	7800027	1	OUTER RACE 15123
20	7800055	1	OUTER BEARING 15245
21	**	1	SPINDLE WASHER
22	8750005	1	SPINDLE NUT
23	8750003	1	COTTER PIN
24	7700027	1	GREASE CAP
25	7700016	1	EZLUBE GREASE CAP
26	7700053	1	RUBBER PLUG FOR EXLUBE GREASE CAP
27	7700094	6	1/2" WHEEL STUD FOR GALVANIZED HUB LB 2.0
	7700159	6	1/2" WHEEL STUD FOR GAL-DEX DEXTER HUB 7-150
28	7700045	6	LUG NUT 1/2"
	7700044	6	CHROME LUG NUT 1/2"
	7700202	6	CHROME LUG NUT 1/2" LONG
<b>DISC BRAKE KITS<sup>+</sup></b>			
	6450586	1	DISC BRAKE KIT, MAXX
	6450587	1	DISC BRAKE KIT, MAXX - SS <sup>++</sup> CALIPER

\*\* See Section C-Hubs & Hubs-Drums for required spindle washer.  
<sup>+</sup> Disc brake kits contain parts for ONE COMPLETE axle.  
<sup>++</sup> Stainless Steel.

# 6,000 LBS. • 12" SLIP-ON DISC BRAKE ASSEMBLY =



**Caliper Breakdown**



**Hub Breakdown • Not Included in Kit**

- Replacement parts are compatible with other brands.
- Ask sales associate for details.

REF NO.	ITEM NO.	PER HUB	DESCRIPTION
1	6450408	2	STAINLESS STEEL GUIDE BOLT & STAINLESS STEEL SLEEVE
3	6450446	2	RUBBER BUSHING FOR GUIDE BOLT
4	6450552	2	ADAPTER PORT - 90 DEGREE
5	6450413	2	BLEED PORT
<b>CALIPER INCLUDES ITEMS 1-9</b>			
6	6450528	1	CALIPER MAXX
	6450529	1	CALIPER STAINLESS STEEL
7	6450548	1	STAINLESS STEEL PISTON
8	6450550	1	PISTON RUBBER SEAL
9	6450551	1	RUBBER DUST BOOT
10	6450471	1	CALIPER MOUNTING BRACKET MAXX
	6450412	1	CALIPER MOUNTING BRACKET SS
11	6450620	1	BRAKE PADS (SEMI-METALLIC)
	6450392	1	BRAKE PADS (CERAMIC)
12	6450600	1	655 12" ROTOR MAXX
	6450601	1	655 12" ROTOR STAINLESS STEEL
13*	6450240	1	BRAKE MOUNTING BOLT - 3/8"-24
14*	7030112	1	LOCK WASHER - ZINC
15*	6450182	1	NUT - ZINC
16	7700073	1	SEAL 10-36
17	7800026	1	INNER BEARING 25580
18	7800054	1	INNER RACE 25520
19	7800027	1	OUTER RACE 15123
20	7800055	1	OUTER BEARING 15245

\* Not included with complete kit. Item sold separately.

REF NO.	ITEM NO.	PER HUB	DESCRIPTION
21	**	1	SPINDLE WASHER
22	8750005	1	SPINDLE NUT
23	8750003	1	COTTER PIN
24	7700027	1	GREASE CAP
25	7700016	1	EZLUBE GREASE CAP
26	7700053	1	RUBBER PLUG FOR EXLUBE GREASE CAP
27	7650085-GV	1	HUB 2-1/2" STUDS 6 ON 5.5 GALVANIZED
	008-213-51	1	HUB 2-1/2" STUDS 6 ON 5.5 GAL-DEX
28	7700094	6	1/2" WHEEL STUD 2.09 FOR STEEL WHEELS
	7700101	6	1/2" WHEEL STUD 2.50 FOR ALUMINUM WHEELS
	7700159	6	1/2" WHEEL STUD 2.09 FOR STEEL WHEELS
	7700142	6	1/2" WHEEL STUD 2.50 FOR ALUMINUM WHEELS
29	7700045	6	LUG NUT 1/2"
	7700044	6	CHROME LUG NUT 1/2"
	7700202	6	CHROME LUG NUT 1/2" LONG
<b>DISC BRAKE KITS<sup>+</sup></b>			
	6450579	1	DISC BRAKE KIT, MAXX
	6450580	1	DISC BRAKE KIT, MAXX - SS <sup>++</sup> CALIPER
	6450581	1	DISC BRAKE KIT, MAXX - STAINLESS STEEL

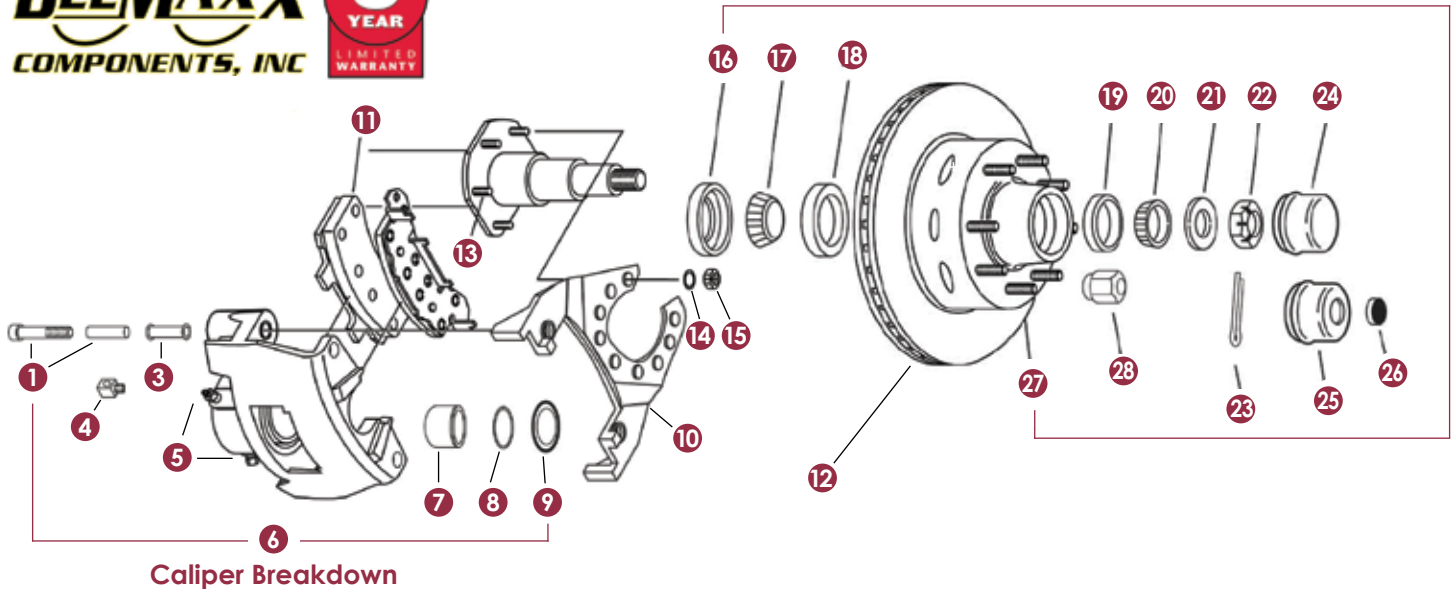
\*\* See Section C-Hubs & Hubs-Drums for required spindle washer.  
 + Disc brake kits contain parts for ONE COMPLETE axle.  
 ++ Stainless Steel.



# 7,000 LBS. • 13" INTEGRAL DISC BRAKE ASSEMBLY =



Hub Breakdown • Not Included in Kit



- Replacement parts are compatible with other brands.
- Ask sales associate for details.

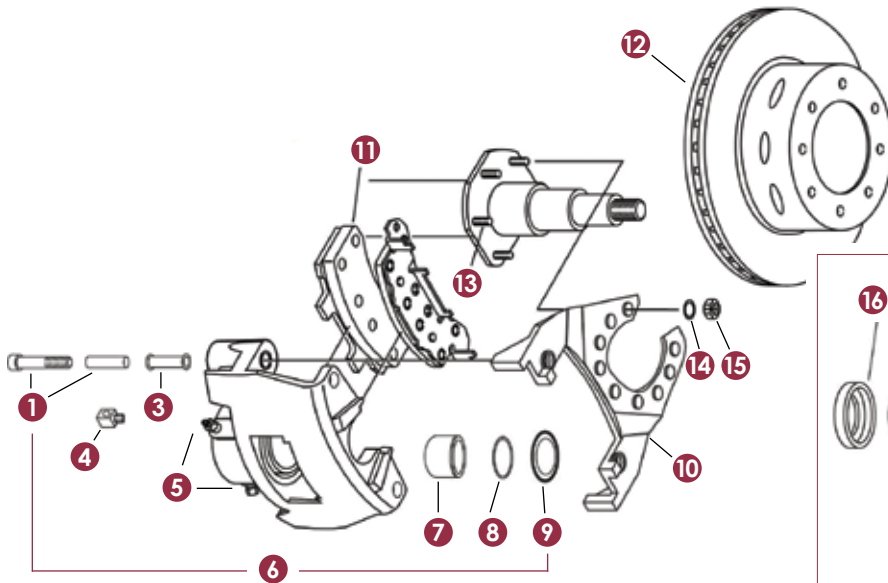
REF NO.	ITEM NO.	PER HUB	DESCRIPTION
1	6450408	2	STAINLESS STEEL GUIDE BOLT & STAINLESS STEEL SLEEVE
3	6450446	2	RUBBER BUSHING FOR GUIDE BOLT
4	6450552	2	ADAPTER PORT - 90 DEGREE
5	6450413	2	BLEED PORT
<b>CALIPER INCLUDES ITEMS 1-9</b>			
6	6450706	1	CALIPER MAXX
	6450707	1	CALIPER STAINLESS STEEL
7	6450896	1	STAINLESS STEEL PISTON
8	6450297	1	PISTON RUBBER SEAL
9	6450821	1	RUBBER DUST BOOT
10	6450407	1	CALIPER MOUNTING BRACKET MAXX
	6450713	1	CALIPER MOUNTING BRACKET SS
11	6450406	1	BRAKE PADS (SEMI-METALLIC)
	6450810	1	BRAKE PADS (CERAMIC)
12	6450702	1	865 13" HUB/ROTOR 1/2" STUDS MAXX
	6450785	1	865 13" HUB/ROTOR 9/16" STUDS MAXX
13*	6450240	1	BRAKE MOUNTING BOLT - 3/8"-24
14*	7030112	1	LOCK WASHER - ZINC
15*	6450182	1	NUT - ZINC
16	7700073	1	SEAL 10-36
17	7800026	1	INNER BEARING 25580
18	7800054	1	INNER RACE 25520
19	7800056	1	OUTER RACE 14276

REF NO.	ITEM NO.	PER HUB	DESCRIPTION
20	7800017	1	OUTER BEARING 14125A
21	**	1	SPINDLE WASHER
22	8750005	1	SPINDLE NUT
23	8750003	1	COTTER PIN
24	7700186	1	GREASE CAP
25	7700018	1	EZLUBE GREASE CAP
26	7700053	1	RUBBER PLUG FOR EXLUBE GREASE CAP
27	7700094	8	1 /2" WHEEL STUD 2.09 FOR STEEL WHEELS
	7700101	8	1 /2" WHEEL STUD 2.50 FOR ALUMINUM WHEELS
	7700123	8	9/16" WHEEL STUD 2.09 FOR STEEL WHEELS
	6450835	8	9/16" WHEEL STUD 2.50 FOR ALUMINUM WHEELS
28	7700045	8	LUG NUT 1/2"
	7700044	8	CHROME LUG NUT 1/2"
	7700202	8	CHROME LUG NUT 1/2" LONG
	7700036	8	LUG NUT 9/16"
	7700201	8	CHROME LUG NUT 9/16"
<b>DISC BRAKE KITS<sup>+</sup></b>			
	6450676	1	DISC BRAKE KIT, MAXX
	6450677	1	DISC BRAKE KIT, MAXX - SS <sup>++</sup> CALIPER
	6450681	1	DISC BRAKE KIT, MAXX 9/16" STUDS

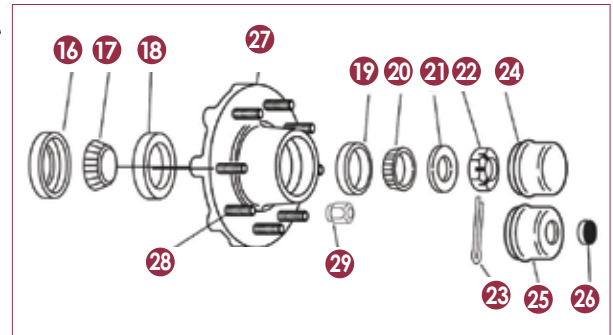
\* Not included with complete kit. Item sold separately.

\*\* See Section C-Hubs & Hubs-Drums for required spindle washer.  
 + Disc brake kits contain parts for ONE COMPLETE axle.  
 Standard kit is 1/2" studs. ++ Stainless Steel.

# 7,000 LBS. • 13" SLIP-ON DISC BRAKE ASSEMBLY =



**Caliper Breakdown**



**Hub Breakdown • Not Included in Kit**

- Replacement parts are compatible with other brands.
- Ask sales associate for details.

REF NO.	ITEM NO.	PER HUB	DESCRIPTION
1	6450408	2	STAINLESS STEEL GUIDE BOLT & STAINLESS STEEL SLEEVE
3	6450446	2	RUBBER BUSHING FOR GUIDE BOLT
4	6450552	2	ADAPTER PORT - 90 DEGREE
5	6450413	2	BLEED PORT
<b>CALIPER INCLUDES ITEMS 1-9</b>			
6	6450706	1	CALIPER MAXX
	6450707	1	CALIPER STAINLESS STEEL
7	6450896	1	STAINLESS STEEL PISTON
8	6450297	1	PISTON RUBBER SEAL
9	6450821	1	RUBBER DUST BOOT
10	6450407	1	CALIPER MOUNTING BRACKET MAXX
	6450713	1	CALIPER MOUNTING BRACKET SS
11	6450406	1	BRAKE PADS (SEMI-METALLIC)
	6450810	1	BRAKE PADS (CERAMIC)
12	6450697	1	865 13" ROTOR MAXX
	6450698	1	865 13" ROTOR STAINLESS STEEL
13*	6450240	1	BRAKE MOUNTING BOLT - 3/8"-24
14*	7030112	1	LOCK WASHER - ZINC
15*	6450182	1	NUT - ZINC
16	7700073	1	SEAL 10-36
17	7800026	1	INNER BEARING 25580
18	7800054	1	INNER RACE 25520
19	7800056	1	OUTER RACE 14276

\* Not included with complete kit. Item sold separately.

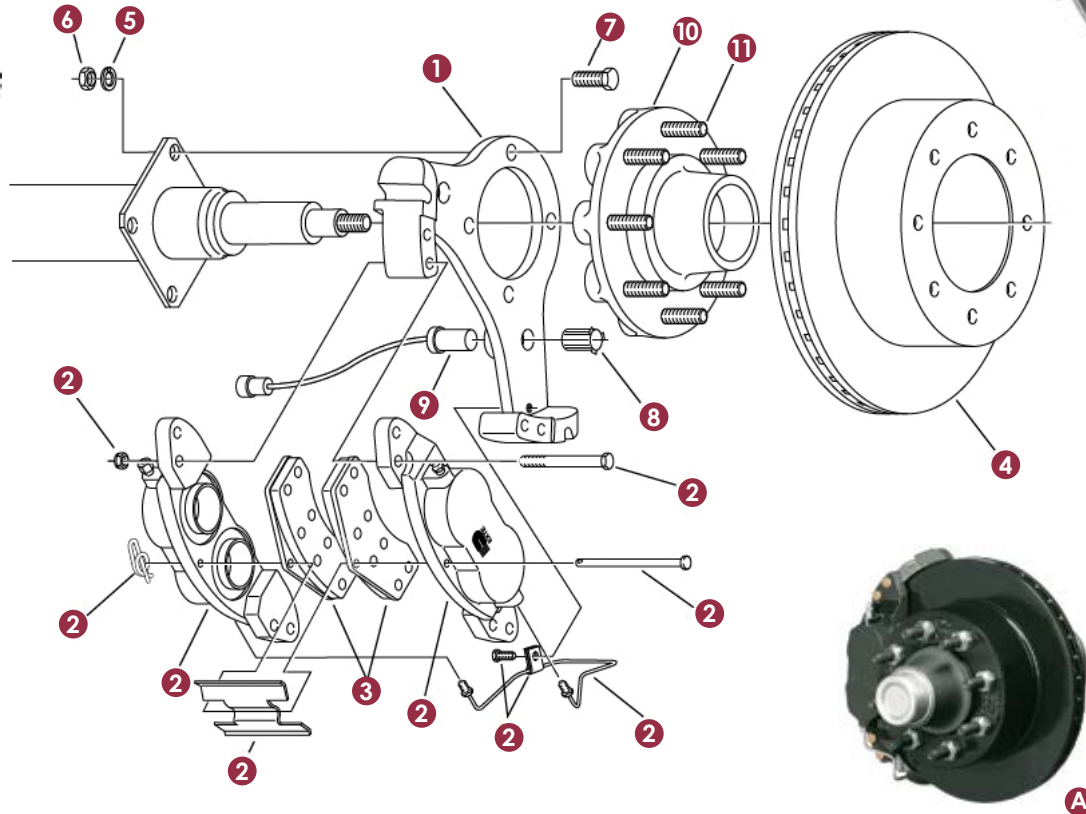
REF NO.	ITEM NO.	PER HUB	DESCRIPTION
20	7800017	1	OUTER BEARING 14125A
21	**	1	SPINDLE WASHER
22	8750005	1	SPINDLE NUT
23	8750003	1	COTTER PIN
24	7700186	1	GREASE CAP
25	7700018	1	EZLUBE GREASE CAP
26	7700053	1	RUBBER PLUG FOR EXLUBE GREASE CAP
27	7650083-GV	1	HUB 2-1/2" STUD 8 ON 6.5 GALVANIZED
28	7700094	8	1/2" WHEEL STUD 2.09 FOR STEEL WHEELS
	7700101	8	1/2" WHEEL STUD 2.50 FOR ALUMINUM WHEELS
	7700159	8	1/2" WHEEL STUD 2.09 FOR STEEL WHEELS
	7700142	8	1/2" WHEEL STUD 2.50 FOR ALUMINUM WHEELS
29	7700045	8	LUG NUT 1/2"
	7700044	8	CHROME LUG NUT 1/2"
	7700202	8	CHROME LUG NUT 1/2" LONG
<b>DISC BRAKE KITS<sup>+</sup></b>			
	6450657	1	DISC BRAKE KIT, MAXX
	6450658	1	DISC BRAKE KIT, MAXX - SS <sup>++</sup> CALIPER
	6450659	1	DISC BRAKE KIT, MAXX - STAINLESS STEEL

\*\* See Section C-Hubs & Hubs-Drums for required spindle washer.

+ Disc brake kits contain parts for ONE COMPLETE axle.

Standard kit is 1/2" studs. ++ Stainless Steel.

# 8,000 LBS. • 13" SLIP-ON DISC BRAKE ASSEMBLY



REF NO.	ITEM NO.	ID NO.	QTY.*	DESCRIPTION
A	6450512	K71-635-00	1	8K SLIP-ON RETROFIT DISC BRAKE KIT (1-WHEEL)
1	6450373	090-003-01	1	ANCHOR YOKE
2	6450298	K71-630-00	1	CALIPER ASSEMBLY KIT LH OR RH CONTAINS:
		006-045-00	4	CALIPER MOUNTING NUT
		007-254-00	4	CALIPER MOUNTING BOLT
		019-019-00	1	COTTER RING
		027-060-00	1	TUBE CLAMP
		046-145-00	1	ANTI-RATTLE SPRING
		054-092-00	1	BLEEDER SCREW
		054-094-00	1	ADAPTER FITTING
		056-038-00	1	PAD RETAINING PIN
		071-513-00	1	CROSS OVER HYDRAULIC LINE
			1	(YOKES WITHOUT NOTCH)
		071-518-00	1	CROSS OVER HYDRAULIC LINE
			1	(YOKES WITH NOTCH)
		087-002-00	1	HEX BOLT
		089-003-02	2	ASSEMBLED CALIPER HALF

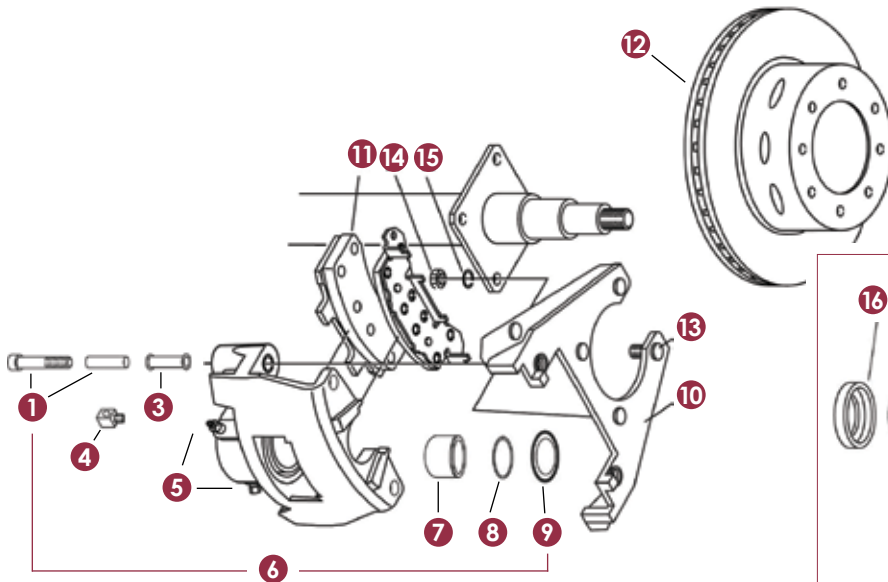
REF NO.	ITEM NO.	ID NO.	QTY.*	DESCRIPTION
3	6450287	K71-629-00	1	BRAKE PAD KIT
4	6450315	K71-631-00	1	ROTOR KIT
5	9000251	005-058-00	4	LOCK WASHER
6	6450176-02	006-129-01	4	HEX NUT
7	6450019	007-097-00	4	BRAKE MOUNTING BOLT
8	6050055	097-002-00	1	ABS SENSOR RETAINING CLIP
9	6050079	097-004-00	1	ABS SENSOR (STRAIGHT)
<b>DISC BRAKE HUBS &amp; STUDS**</b>				
10	7650234	008-399-05	1	GREASE 9/16" STUDS 8 ON 6.5
	7650247	008-399-06	1	OIL 9/16" STUDS 8 ON 6.5
	7650257	008-399-07	1	GREASE 5/8" STUDS 8 ON 6.5
	7650256	008-399-08	1	OIL 5/8" STUDS 8 ON 6.5
11	7700217	007-257-00	8	9/16" X 2.50 PRESS-IN STUD
	7700107	007-115-00	8	5/8" X 3.16 PRESS-IN STUD

\*\* See Section C-Hubs & Hubs-Drums for more details.

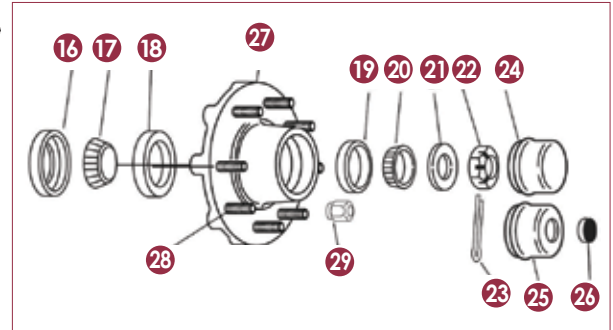
\* Quantity per brake.



# 8,000 LBS. • 13" SLIP-ON DISC BRAKE ASSEMBLY =



**Caliper Breakdown**



**Hub Breakdown • Not Included in Kit**

- Replacement parts are compatible with other brands.
- Ask sales associate for details.

REF NO.	ITEM NO.	PER HUB	DESCRIPTION
1	6450408	2	STAINLESS STEEL GUIDE BOLT & STAINLESS STEEL SLEEVE
3	6450446	2	RUBBER BUSHING FOR GUIDE BOLT
4	6450552	2	ADAPTER PORT - 90 DEGREE
5	6450413	2	BLEED PORT
<b>CALIPER INCLUDES ITEMS 1-9</b>			
6	6450706	1	CALIPER MAXX
	6450707	1	CALIPER STAINLESS STEEL
7	6450896	1	STAINLESS STEEL PISTON
8	6450297	1	PISTON RUBBER SEAL
9	6450821	1	RUBBER DUST BOOT
10	6450800	1	CALIPER MOUNTING BRACKET MAXX
	6450801	1	CALIPER MOUNTING BRACKET SS
11	6450406	1	BRAKE PADS (SEMI-METALLIC)
	6450810	1	BRAKE PADS (CERAMIC)
12	6450780	1	865 13" ROTOR MAXX 5/8"
	6450781	1	865 13" ROTOR STAINLESS STEEL 5/8"
	6450776	1	865 13" ROTOR MAXX 9/16"
	6450777	1	865 13" ROTOR STAINLESS STEEL 9/16"
13*	6450240	1	BRAKE MOUNTING BOLT - 3/8"-24
14*	6450182	1	LOCK WASHER - ZINC
15*	6450250	1	NUT - ZINC
16	7700073	1	SEAL 10-36
17	7800026	1	INNER BEARING 25580
18	7800054	1	INNER RACE 25520
19	7800057	1	OUTER RACE 02420

\* Not included with complete kit. Item sold separately.

REF NO.	ITEM NO.	PER HUB	DESCRIPTION
20	7800028	1	OUTER BEARING 02475
21	**	1	SPINDLE WASHER
22	8750005	1	SPINDLE NUT
23	8750003	1	COTTER PIN
24	7700186	1	GREASE CAP
25	7700018	1	EZLUBE GREASE CAP
26	7700053	1	RUBBER PLUG FOR EXLUBE GREASE CAP
27	7650140	1	HUB 2-1/2" STUD 8 ON 6.5 GAL-DEX
28	7700217	8	9/16" WHEEL STUD 2.50 FOR ALUMINUM WHEELS
	6450355	8	5/8" WHEEL STUD 3.165" PRESS-IN
29	7700036	8	LUG NUT 9/16"
	7700201	8	CHROME LUG NUT 9/16"
	7700048	8	LUG NUT 5/8"
<b>DISC BRAKE KITS<sup>+</sup></b>			
	6450752	1	DISC BRAKE KIT, MAXX 5/8"
	6450753	1	DISC BRAKE KIT, MAXX - SS** CALIPER 5/8"
	6450755	1	DISC BRAKE KIT, MAXX - STAINLESS STEEL 5/8"
	6450745	1	DISC BRAKE KIT, MAXX 9/16"
	6450747	1	DISC BRAKE KIT, MAXX - SS** CALIPER 9/16"
	6450748	1	DISC BRAKE KIT, MAXX - STAINLESS STEEL 9/16"

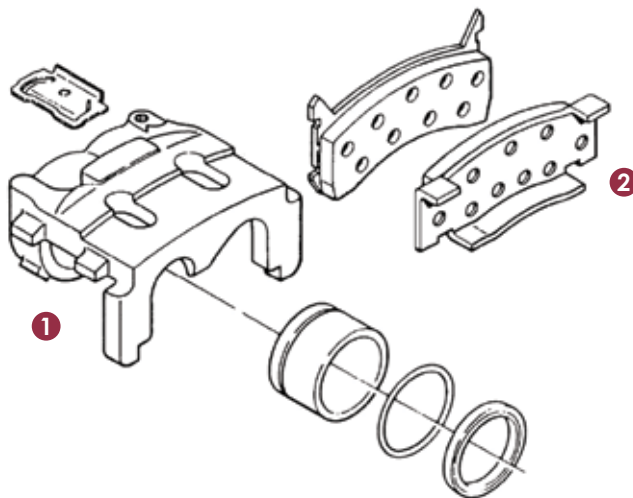
\*\* See Section C-Hubs & Hubs-Drums for required spindle washer.  
 + Disc brake kits contain parts for ONE COMPLETE axle.  
 Standard kit is 9/16" studs. ++ Stainless Steel.



# 10K - 12K LBS. • 13" DISC BRAKE ASSEMBLY =

**2** YEAR WARRANTY

**AL-KO**  
GENUINE PARTS  
By DEXTER



REF NO.	ITEM NO.	ID NO.	QTY.*	DESCRIPTION
1	6450092	09231512	1	LH CALIPER LESS PADS
	6450095	09231511	1	RH CALIPER LESS PADS
2	6450039	KSL116	1	REPLACEMENT DISC PAD KIT

\* Quantity per brake.



# 9K-10K LBS. • 13" GD INTEGRAL DISC BRAKE ASSEMBLY =

**DEEMAXX**  
COMPONENTS, INC  
**3** YEAR LIMITED WARRANTY



ITEM NO.	DESCRIPTION
6450414	7-BOLT FLANGE 9K-10KGD DISC BRAKE KIT

Designed specifically to work with 17.5" Dual Tandems Only.

HYDRAULIC DISC BRAKE ASSEMBLIES

# 10K - 12K HEAVY DUTY HYDRAULIC DISC BRAKES



Universal Caliper and Universal Brake Pads eliminate the need to stock right-hand and left-hand parts.

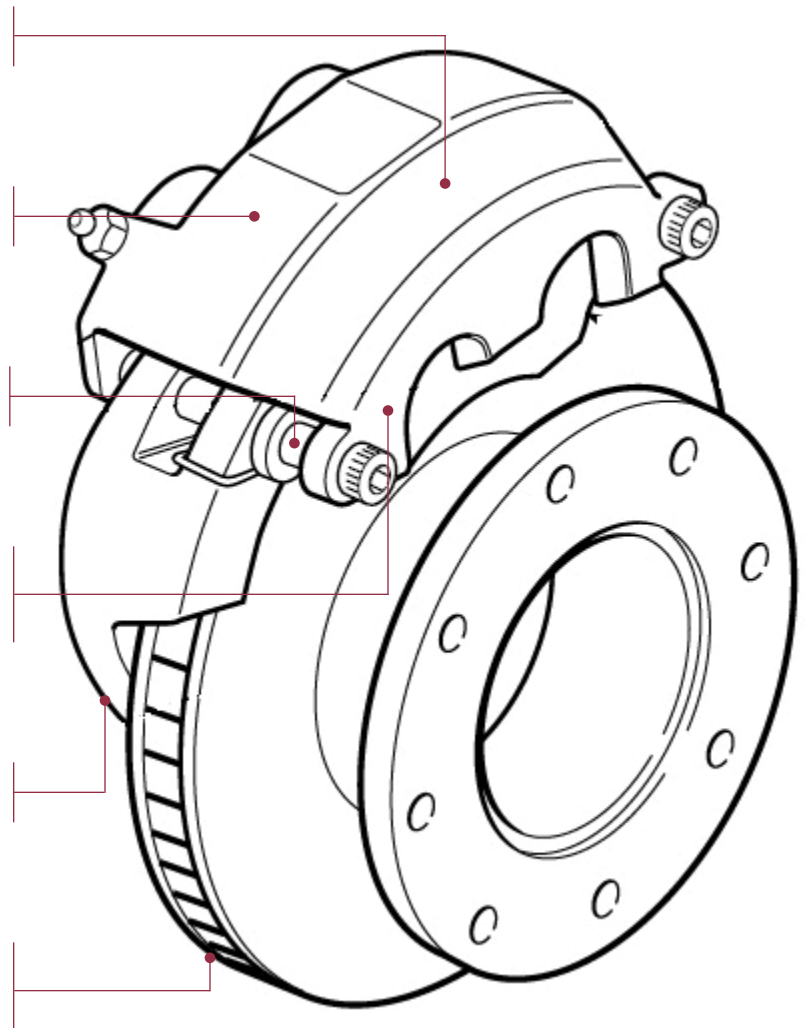
Caliper Pistons (underneath housing) are larger, for greater brake torque. Dual Pistons per caliper.

Corrosion-Resistant Bolts.

Brake Shoes of heavy steel are bonded to brake linings for extended lining life. Linings are truck type for improved stopping force and extended service life.

Two-Piece Hub and Rotor Design allows rotor replacement without requiring new hub.

Dexter Ventilated Disc Rotors. High grade alloy iron to prevent heat checking and distortion. Ventilation provides great heat dissipation.

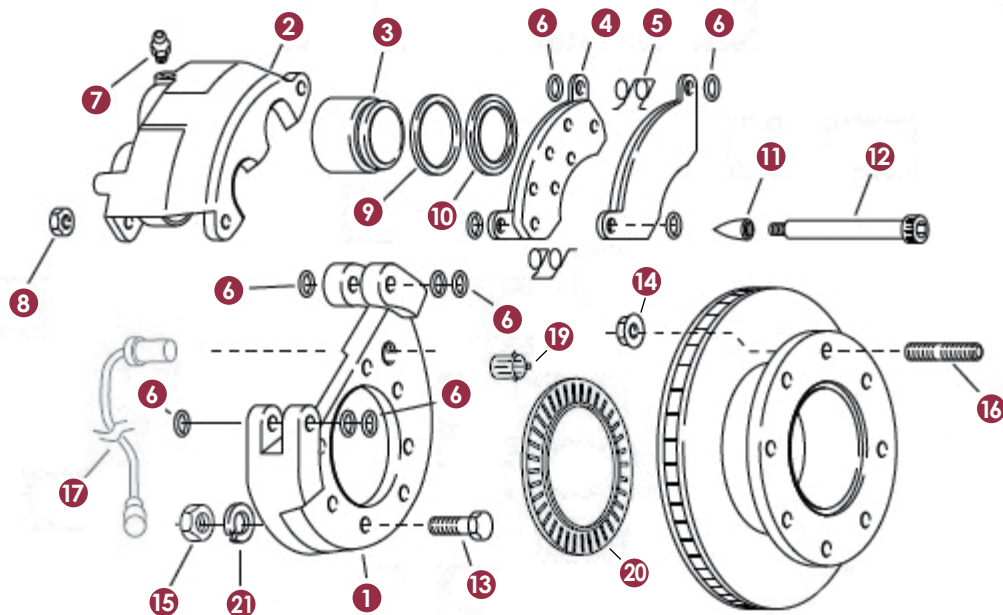


HYDRAULIC DISC BRAKE ASSEMBLIES



MADE IN  
  
U. S. A.

# 10K - 12K LBS. • 13" DISC BRAKE ASSEMBLY =



• For 10K-12K Sprung & Torflex™ 13G, 13D & 14T

REF NO.	ITEM NO.	ID NO.	QTY.*	DESCRIPTION
1	6450252	090-002-02	1	ANCHOR YOKE ASSEMBLY (INCLUDES ITEM #6)
2	6450091	089-002-02	1	CALIPER ASSEMBLY (INCLUDES ITEMS #6,3,9,10)
3	6450093	054-066-00	2	CALIPER PISTON
12	6450200	007-186-00	2	SHOULDER SCREW 5/8" X 5"
13	6450020	007-116-00	7	HEX SCREW 7/16"-20 X 1-3/4"
14	9000137	006-046-00	8	FLANGE NUT
15	6450181	006-017-00	7	HEX NUT 7/16"-20
16	6450242	025-014-00	8	ROTOR MOUNTING STUD
17**	6050079	097-004-00	1	ABS SENSOR (STRAIGHT)
19**	6050055	097-002-00	1	ABS SENSOR RETAINING CLIP
20**	6050071	024-203-00	1	ABS TONE RING
21	7030116	005-008-00	7	LOCK WASHER
A	6450025	K71-181-00	1	CALIPER REPAIR KIT CONTAINS:
6	010-062-00		4	"O" RING
7	054-069-00		1	BLEEDER SCREW
9	054-067-00		2	CALIPER SEAL
10	054-068-00		2	DUST BOOT
B	6450109	K71-180-00	1	DISC BRAKE REPLACEMENT PAD KIT CONTAINS:
4	091-003-00		4	BRAKE PAD
5	046-105-00		4	ANTI-RATTLE SPRING
6	010-062-00		20	"O" RING
8	006-125-00		4	HEX LOCKNUT
11	071-182-00		1	INSTALLATION TOOL

\* Quantity per brake.

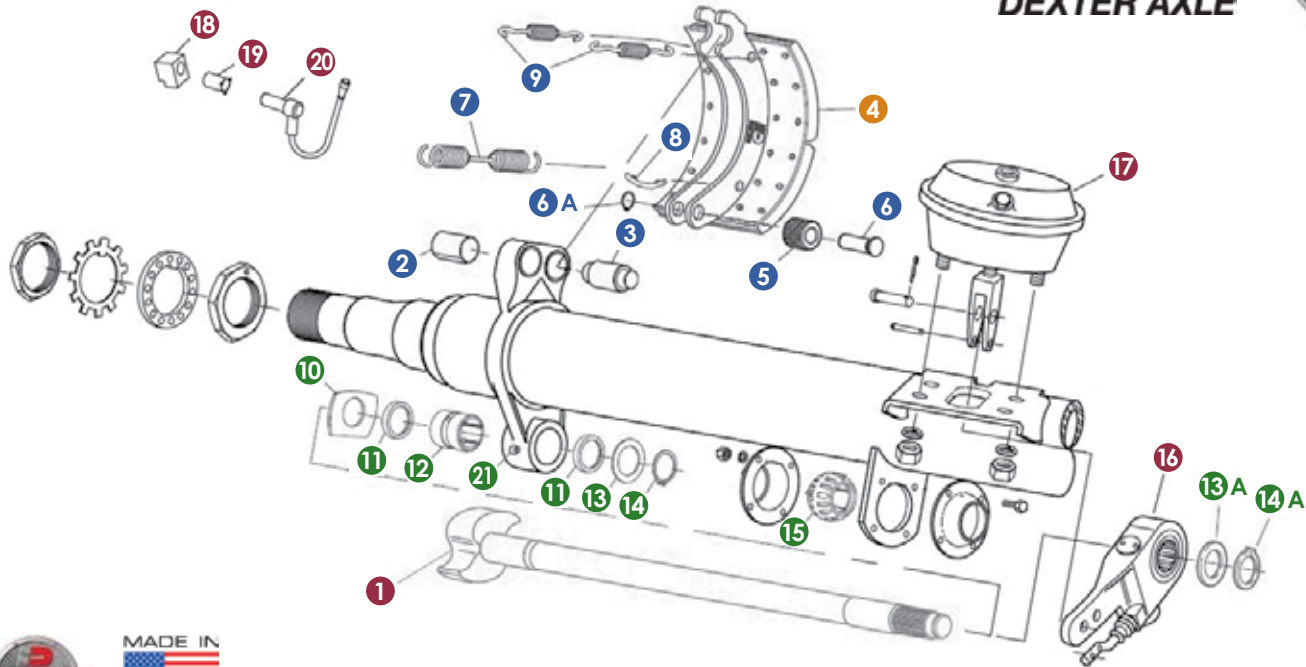
\*\* Not applicable on Torflex.



HYDRAULIC DISC BRAKE ASSEMBLIES



# 10K - 27.5K LBS. • 12 1/4" 'PQ' AIR BRAKE COMPONENTS



## GENERAL

REF NO.	ITEM NO.	ID NO.	QTY.*	DESCRIPTION
1	<b>See Page B-61 for Camshaft Options</b>			
16	6050032	055-040-99	1	AUTO SLACK ADJUSTER - 28 SPLINE
NP	6151686	034-261-07	1	TYPE 20/24 SPRING BRAKE (10K)
NP	6160355	034-060-07	1	TYPE 24/30 SPRING BRAKE (12K-15K)
17**	6151682	034-058-01	1	TYPE 30/30 SPRING BRAKE (22.5K-27.5K)
NP	6050070	024-101-00	1	ABS SENSOR LOWER MOUNT BLOCK
18	6050072	024-101-01	1	ABS SENSOR UPPER MOUNT BLOCK
19	6050055	097-002-00	1	ABS SENSOR RETAINER CLIP
20	6050056	097-007-00	1	90° ABS SENSOR - WABCO
NP	6050071	024-203-00	1	ABS TONE RING (9K-15K)

## SHOE / LINING ASSEMBLY (LESS ROLLERS) • 12-1/4" 'PQ' STYLE AIR BRAKES

REF NO.	ITEM NO.	ID NO.	QTY.*	DESCRIPTION
4	6450262	040-321-01	2	10K 4" ASSEMBLY
4	6450263	040-322-01	2	12K-15K 5" ASSEMBLY
4	6450273	040-320-01	2	22.5K-27.5K 7-1/2" ASSEMBLY

\* Quantity per brake. Double quantity to order by axle.

\*\* Pictured is only the Type 30 Service Brake.

NP = Not Pictured

## SHOE HARDWARE KIT • 6450274 • K71-460-00 • 'PQ' STYLE KIT

REF NO.	ITEM NO.	ID NO.	QTY.*	DESCRIPTION
ns	-	005-076-00	2	WASHER
2	-	014-068-00	2	BUSHING
3	-	056-017-00	2	ANCHOR PIN
5	-	014-057-00	2	ROLLER
6	-	056-010-00	2	ROLLER RETAINER
6A	-	069-018-00	2	RETAINER RING
7	-	046-092-00	1	SHOE RETAINER SPRING
8	-	056-018-00	2	RETRACTOR SPRING PIN RETAINER
9	-	046-097-00	2	SHOE KEEPER SPRING
NP	-	059-553-00	1	INSTRUCTION SHEET

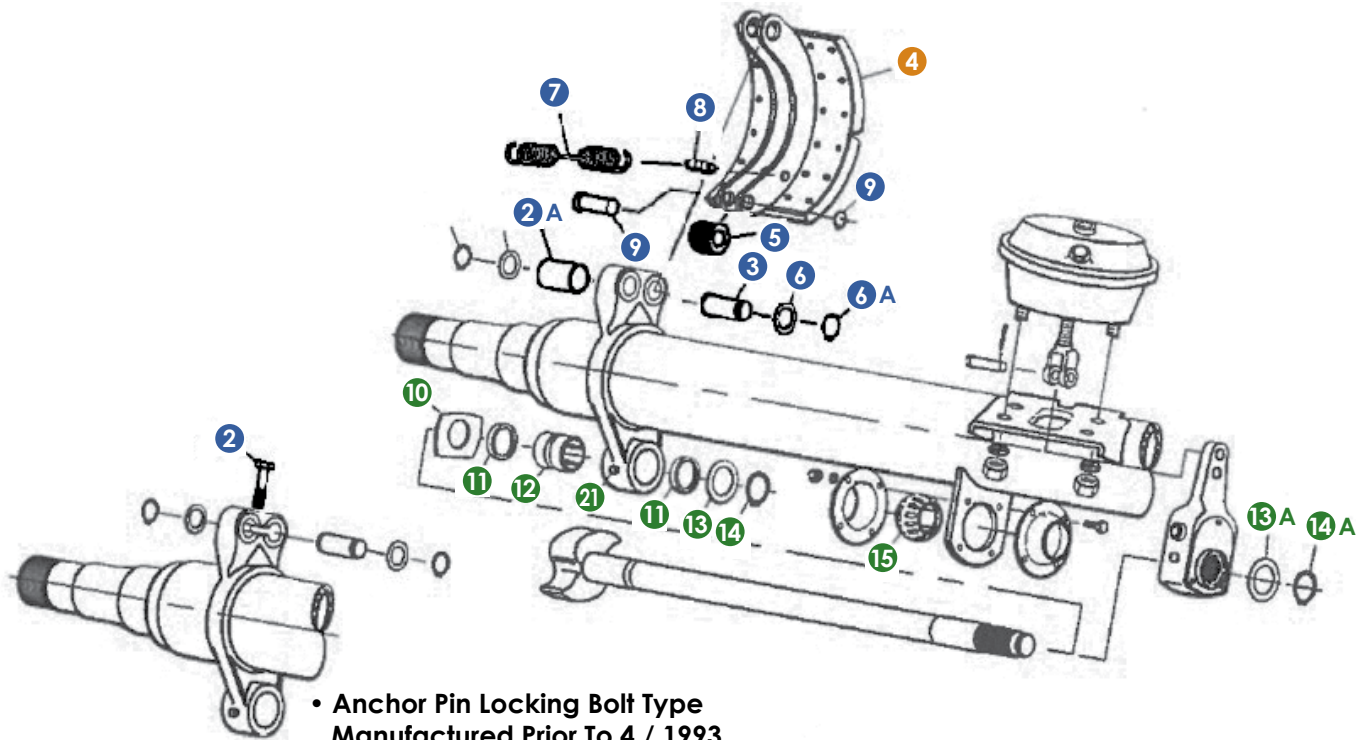
## CAMSHAFT REPAIR KIT • 6450096 • K71-101-00 • 'P' OR 'PQ' STYLE KIT

REF NO.	ITEM NO.	ID NO.	QTY.*	DESCRIPTION
10	-	005-074-00	1	D' WASHER CAMSHAFT
11	-	010-052-00	2	SEAL
12	-	014-056-00	1	CAMSHAFT BUSHING
13	-	005-075-00	2	CAMSHAFT WASHER
13A	-	005-134-00	1	PLAIN WASHER
14	-	069-020-00	2	CAMSHAFT RETAINER
14A	-	069-078-00	1	SNAP RING
15	-	014-058-00	1	CAMSHAFT SUPPORT BUSHING
21	-	061-006-00	1	GREASE FITTING
NP	-	059-663-00	1	INSTRUCTION SHEET

AIR BRAKE ASSEMBLIES



# 10K - 27.5K LBS. • 12¼" 'PQ' AIR BRAKE COMPONENTS



• Anchor Pin Locking Bolt Type  
Manufactured Prior To 4 / 1993

AIR BRAKE ASSEMBLIES

### 6450036 • K71-098-00 • 'P' STYLE KIT • CONTAINS THE FOLLOWING:

REF NO.	ITEM NO.	ID NO.	QTY.*	DESCRIPTION
2**		007-137-00	1	ANCHOR PIN CLAMPING SCREW
2A <sup>+</sup>		014-104-00	2	SPIDER ANCHOR PIN BUSHING
3		056-011-00	2	ANCHOR PIN
5		014-057-00	2	ROLLER
6		005-072-00	4	WASHER (10K)
6A		069-019-00	4	ANCHOR PIN RETAINER
7		046-092-00	1	RETRACTOR SPRING
8		056-012-00	2	RETRACTOR SPRING PIN RETAINER
9		056-010-00	2	ROLLER PIN
NP		005-073-00	4	WASHER (12K & 15K)
NP		005-076-00	2	ROLLER PIN SPACER
NP		056-552-00	1	INSTRUCTION SHEET

\* Quantity per brake. Double quantity to order by axle.  
+ Not used before April 1993    \*\* Not used after April 1993

### CAMSHAFT REPAIR KIT • 6450096 • K71-101-00 • 'P' OR 'PQ' STYLE KIT

REF NO.	ITEM NO.	ID NO.	QTY.*	DESCRIPTION
10		005-074-00	1	D' WASHER CAMSHAFT
11		010-052-00	2	SEAL
12		014-056-00	1	CAMSHAFT BUSHING
13		005-075-00	2	CAMSHAFT WASHER
13A		005-134-00	1	PLAIN WASHER
14		069-020-00	2	CAMSHAFT RETAINER
14A		069-078-00	1	SNAP RING
15		014-058-00	1	CAMSHAFT SUPPORT BUSHING
21		061-006-00	1	GREASE FITTING
NP		059-663-00	1	INSTRUCTION SHEET

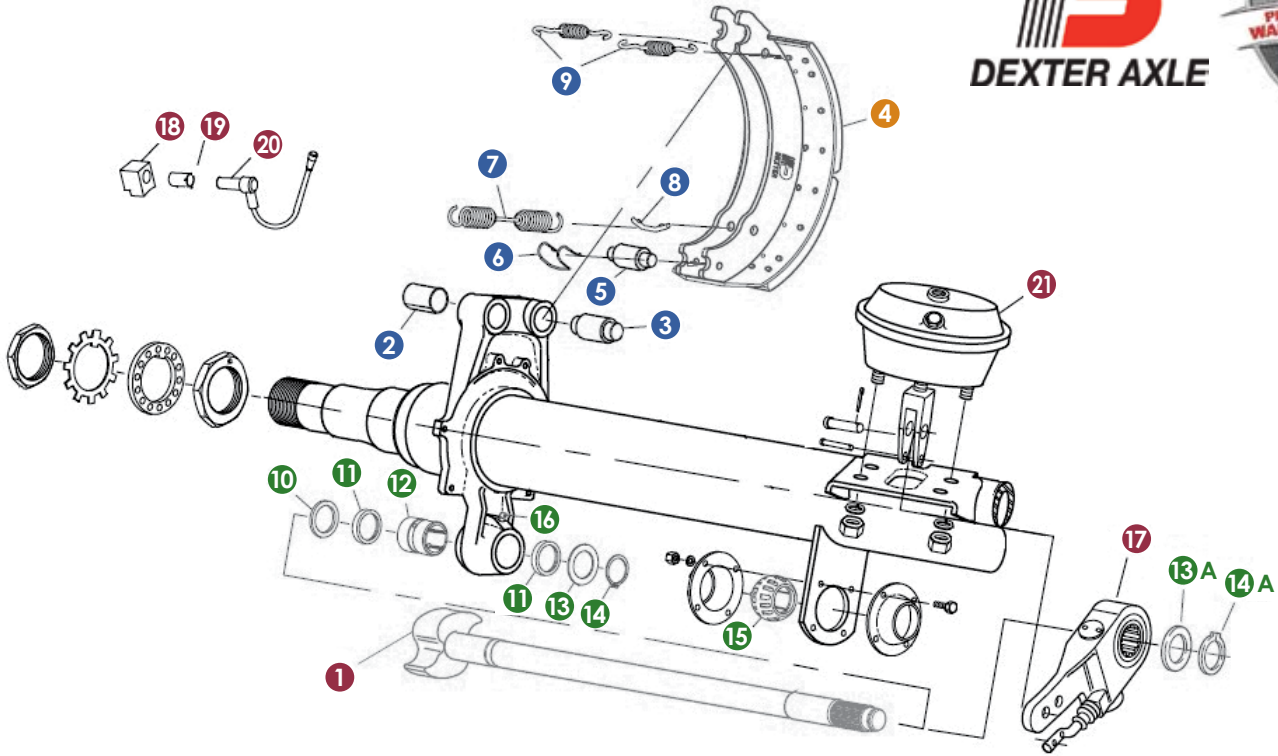
### SHOE & BLOCK 12-1/4" 'P' STYLE AIR BRAKES

REF NO.	ITEM NO.	ID NO.	QTY.*	DESCRIPTION
4	6450261	040-164-01	2	10K 4" SHOE & BLOCK

NP = Not Pictured



# 22.5K - 27.5K LBS. • 16½" 'Q' AIR BRAKE COMPONENTS



GENERAL				
REF NO.	ITEM NO.	ID NO.	QTY.*	DESCRIPTION
1	<b>See Page B-60 for Camshaft Options</b>			
17	6050068	055-040-98	1	AUTO SLACK ADJUSTER - 28 SPLINE
21**	6151682	034-058-01	1	TYPE 30/30 SPRING BRAKE (22.5K-27.5K)
NP	6050070	024-101-00	1	ABS SENSOR LOWER MOUNT BLOCK
18	6050072	024-101-01	1	ABS SENSOR UPPER MOUNT BLOCK
19	6050055	097-002-00	1	ABS SENSOR RETAINER CLIP
20	6050056	097-007-00	1	90° ABS SENSOR - WABCO

AIR BRAKE CAMSHAFT REPAIR KIT • 6450284 • K71-135-00 • 'Q' STYLE KIT				
REF NO.	ITEM NO.	ID NO.	QTY.*	DESC
10	-	005-096-00	1	WASHER CAMSHAFT
11	-	010-052-00	2	SEAL
12	-	014-056-00	1	CAMSHAFT BUSHING
13	-	005-097-00	1	WASHER
13A	-	005-134-00	1	PLAIN WASHER
14	-	069-020-00	2	CAMSHAFT RETAINER
14A	-	069-078-00	1	SNAP RING
15	-	014-058-00	1	CAMSHAFT SUPPORT BUSHING
16	-	061-006-00	1	GREASE FITTING
NP	-	059-554-00	1	INSTRUCTION SHEET

SHOE HARDWARE KIT • 6450021 • K71-136-00 • 'Q' STYLE KIT				
REF NO.	ITEM NO.	ID NO.	QTY.*	DESCRIPTION
2	-	014-068-00	2	SPIDER ANCHOR PIN BUSHING
3	-	056-017-00	2	ANCHOR PIN
5	-	014-065-00	2	ROLLER
6	-	071-122-00	2	ROLLER RETAINER
7	-	046-096-00	1	SHOE RETAINER SPRING
8	-	056-018-00	2	RETRACTOR SPRING PIN RETAINER
9	-	046-097-00	2	SHOE KEEPER SPRING
NP	-	059-553-00	1	INSTRUCTION SHEET

SHOE / LINING ASSEMBLY (LESS ROLLERS) • 16-1/2" 'Q' STYLE AIR BRAKES				
REF NO.	ITEM NO.	ID NO.	QTY.*	DESCRIPTION
4	6450285	040-180-00	2	22.5K-27.5K 7-1/2" ASSEMBLY

\* Quantity per brake. Double quantity to order by axle.

\*\* Pictured is only the Type 30 Service Brake.

NP = Not Pictured

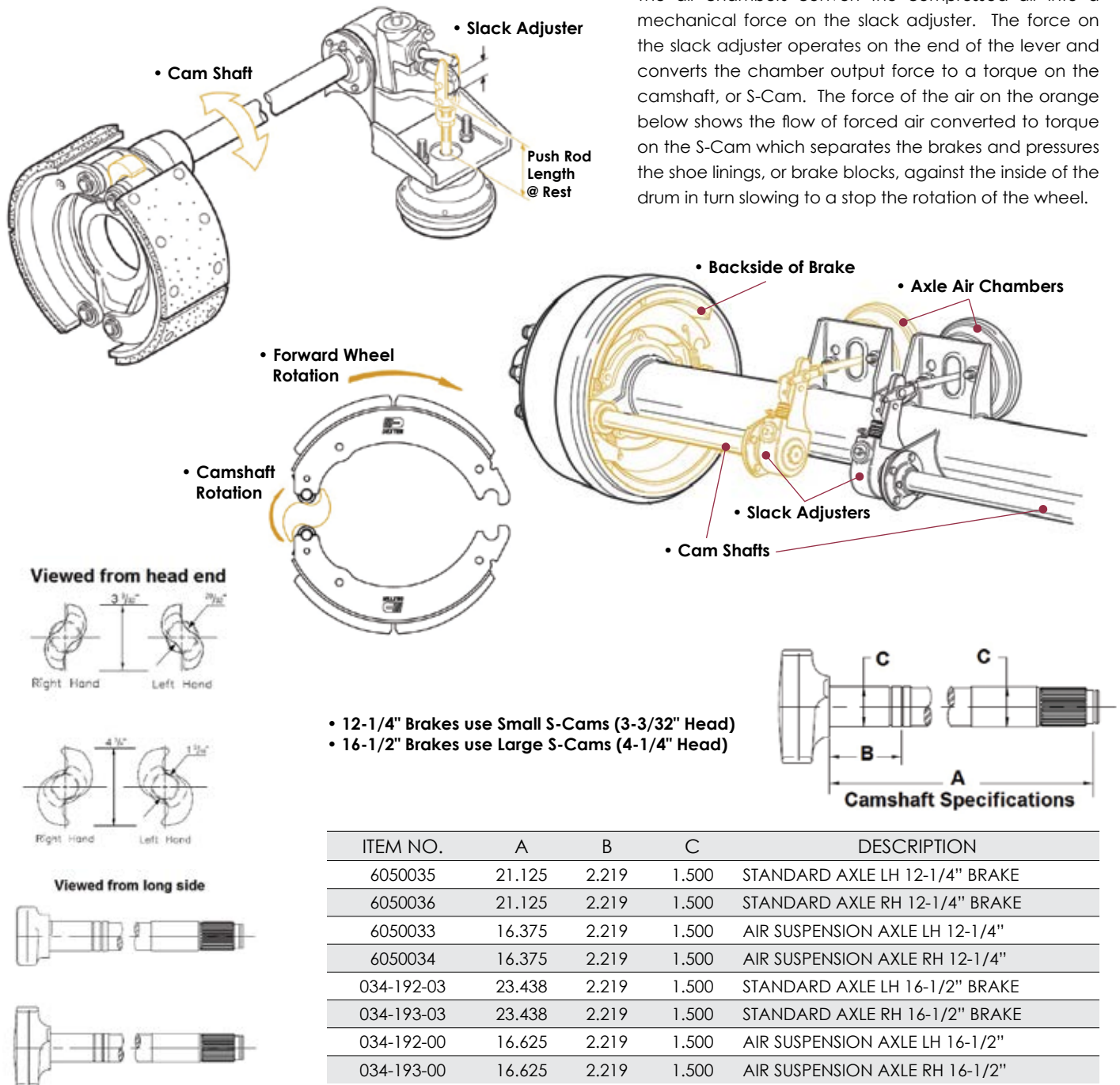


# S-CAM AIR BRAKE COMPONENTS



Trailer air brakes are operated by an air supply through a series of relay and check valves. When breaking is desired, the air is supplied to the axle air chamber which applies a force that is multiplied by the slack adjuster lever arm length. This force is transmitted rotationally through the camshaft which, through the geometry of the S-head, spreads the brake shoes to contact the brake drum surface. The air brake systems are an effective, very durable braking system for use in high mileage or extreme operating conditions. They can be outfitted with ABS (Anti-lock brake systems), automatic slack adjusters and spring brakes to comply with Federal Motor Vehicle Safety Standard Part 571.121.

The air chambers convert the compressed air into a mechanical force on the slack adjuster. The force on the slack adjuster operates on the end of the lever and converts the chamber output force to a torque on the camshaft, or S-Cam. The force of the air on the orange below shows the flow of forced air converted to torque on the S-Cam which separates the brakes and pressures the shoe linings, or brake blocks, against the inside of the drum in turn slowing to a stop the rotation of the wheel.



16-1/2" Brake Camshafts are special order only.





10" x 1½"



10" x 2¼"



12" x 2"

# Proven to Reduce Stopping Distance

## REDUCES STOPPING DISTANCE

- When road hazards suddenly present themselves, every second counts. Dexter's Nev-R-Adjust® brakes have been extensively tested and proven to reduce stopping distances up to 50% versus improperly adjusted brakes.

## ELIMINATES ADJUSTMENTS

- During travel, the brakes automatically rotate an adjuster assembly to close the gap caused by lining wear. This eliminates the need for manual brake adjustments while maintaining optimum performance and braking power.

## SAVES TIME & MONEY

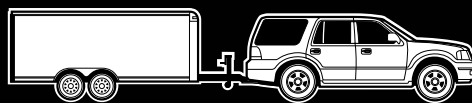
- Nev-R-Adjust® brakes offer a convenient solution that saves trailer owners the time and expense of manual brake adjustments. Because proper adjustment leads to better efficiency from the trailer brakes, wear on the tow vehicle brakes is also greatly reduced.

## RETROFITS TO EXISTING AXLES

- Available as a replacement or upgrade to 10" x 1½", 10" x 2¼", and 12" x 2" electric brakes. These Nev-R-Adjust® brakes are CSA approved.
- 2-Year limited warranty

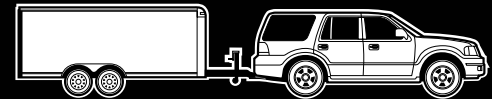


## DEXTER ENGINEERING TEST RESULTS



Trailer with Properly Adjusted Brakes

**STOP IN  
HALF THE  
DISTANCE!**



Trailer with Under Adjusted Brakes

Stopping Distance at 60mph



View the  
Nev-R-Adjust®  
brake video







## Passed SAE J2681 Brake Test



### Exclusives:

- P.R.O.C. Utility Model Patent #ZL201020620633.X
- MAXX COATING on Caliper
- 120° Bleeder Design
- Laser writing on Caliper
- Bolt and Sleeve Design
- Reverse Mount Slip Over Rotor

Every Caliper Is Tested to 2000 psi.



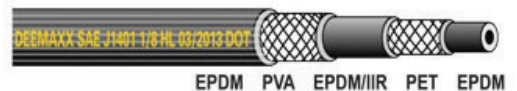
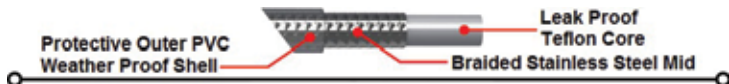
3,500 lbs. - 10,000 lbs.  
Hydraulic Disc Brakes  
Starts on Page B-45

# DEEMAXX

## COMPONENTS, INC

### STAINLESS STEEL BRAIDED

### RUBBER FLEX HOSE



SEE PAGE O-23 FOR YOUR BRAKE LINES

# BRAKES = TABLE OF CONTENTS

## Electric Brake Assemblies<sup>DX</sup>

2,200 lb Capacity.....	B-3
<i>Breakdown</i> .....	B-5
3,500 lb Capacity.....	B-3
<i>Breakdown</i> .....	B-6 - B8
4,400 lb Capacity.....	B-3
<i>Breakdown</i> .....	B-9
6,000 lb Capacity.....	B-3
<i>Breakdown</i> .....	B-10 - B-12
7,000 lb Capacity.....	B-3
<i>Breakdown</i> .....	B-13 - B-14
5,200 - 7,000 lb Capacity.....	B-3 - B-4
<i>Breakdown</i> .....	B-15
7,200 lb Capacity.....	B-4
<i>Breakdown</i> .....	B-16
8,000 lb Capacity.....	B-4
<i>Breakdown</i> .....	B-17 - B-18
9,000 - 10,000 lb General Duty.....	B-19
<i>Breakdown</i> .....	B-20
10,000 - 12,000 lb Alko Heavy Duty.....	B-19
<i>Breakdown</i> .....	B-21
10,000 lb Heavy Duty.....	B-19
<i>Breakdown</i> .....	B-22
12,000 lb Heavy Duty.....	B-19
<i>Breakdown</i> .....	B-23
15,000 lb Heavy Duty.....	B-19
<i>Breakdown</i> .....	B-24

## Hydraulic Drum Brake Assemblies<sup>DX</sup>

3,500 lb Capacity.....	B-25
<i>Breakdown</i> .....	B-28 - B31
6,000 lb Capacity.....	B-25
<i>Breakdown</i> .....	B-32 - B-33
7,000 lb Capacity.....	B-25 - B-26
<i>Breakdown</i> .....	B-34 - B-37
8,000 lb Capacity.....	B-26
<i>Breakdown</i> .....	B-38 - B-39
9,000 - 10,000 lb General Duty.....	B-40
<i>Breakdown</i> .....	B-41
10,000 lb Heavy Duty.....	B-40
<i>Breakdown</i> .....	B-43
12,000 - 15,000 lb Heavy Duty.....	B-40
<i>Breakdown</i> .....	B-44



## Hydraulic Disc Brake Assemblies<sup>DM</sup>

3,500 lb Capacity.....	B-27
<i>Breakdown</i> .....	B-46 - B-47
5,200 - 6,000 lb Capacity.....	B-27
<i>Breakdown</i> .....	B-48 - B-49
7,000 lb Capacity.....	B-27
<i>Breakdown</i> .....	B-50 - B-51
8,000 lb Capacity.....	B-27
<i>Breakdown</i> .....	B-52 - B-53
10,000 - 12,000 lb Capacity <sup>DX</sup> .....	B-27
<i>Breakdown</i> .....	B-54 - B-56

## Air Brake Assemblies<sup>DX</sup>

10,000 - 27,500 lb Capacity.....	B-27
<i>Breakdown</i> .....	B-57 - B-59

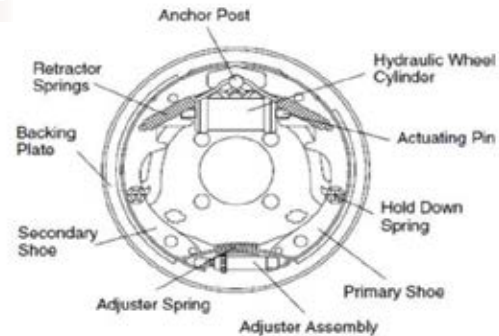
## S-Cam Air Brake Components<sup>DX</sup>.....



# TRAILER BRAKE TYPES =

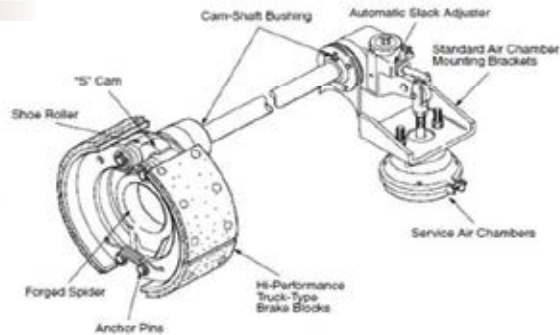
## Electric and Hydraulic, Shoe/Drum

Electric brakes are similar to the hydraulic drum brakes used on automobiles and trucks. While those brakes are actuated by hydraulic pressure, generated by the master cylinder to expand the wheel cylinder, electric brakes function by the action of an electromagnet inside the brake drum. When voltage is sent by the brake controller to the electromagnets, they are attracted to the rotating armature surface of the drum. The sliding friction of the magnets against the armature surface actuates a lever which in turn expands the brake shoes out against the drum surface, much like the action that occurs within a hydraulic brake when the wheel cylinder expands. The braking effort is modulated by varying the amount of voltage supplied to the magnets whereas, hydraulic brakes are controlled by the output pressure of the master cylinder.



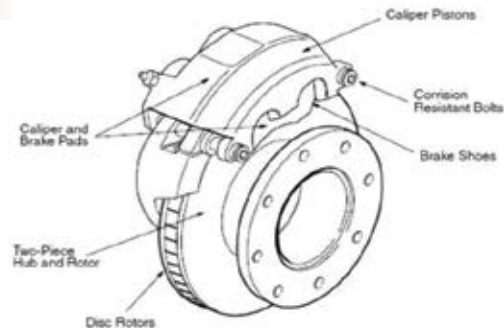
## Air Brakes, Drum Type

This type of brake operates by rotating an 's' shaped cam between the non-anchored ends of the brake shoes, causing them to expand outward and exert pressure against the drum surface. The rotation of the cam shaft is accomplished using an air cylinder called a brake chamber, acting on a lever (the slack adjuster) which also provides a means of adjusting the clearance between the brake shoes and the drum surface. This adjustment compensates for wear and can be done manually or automatically.



## Disc Brakes

Disc brakes employ a component called a rotor which takes the place of the drum in a shoe/drum brake. The rotor or disc as it is sometimes called, is generally machined from a special grade of cast iron and has integrally cast fins to help dissipate heat. The braking force comes from a clamshell-like structure called the brake caliper which is attached to the axle. Friction pads are fixed to one of the opposing surfaces inside the clamshell while the opposite side pad is attached to the end of a hydraulic cylinder built into the structure. The caliper is positioned to straddle the rotating disc. When hydraulic fluid extends the cylinder, the caliper grips the rotor to generate the braking effort.













TRAILER BRAKE TYPES

# ELECTRIC BRAKE ASSEMBLIES






**AL-KO**  
GENUINE PARTS  
BY DEXTER

DESCRIPTION	7" x 1/4"	10" x 2 1/4"	10" x 2 1/4"	10" x 2 1/4"	10" x 2 1/4"
CAPACITY PER PAIR	2.2K	3.5K	3.5K <b>NEV-R-ADJUST</b>	3.5K	4.4K
BOXED LEFT HAND ITEM NO.	-	6400030-03	-	-	-
BOXED LEFT HAND ID NO.	-	K23-026-00	-	-	-
BOXED RIGHT HAND ITEM NO.	-	6400033-01	-	-	-
BOXED RIGHT HAND ID NO.	-	K23-027-00	-	-	-
LEFT HAND ITEM NO.	6400026	6400030	6400102	REPAIR PARTS ONLY	6400133
LEFT HAND ID NO.	023-047-00	023-026-00	023-468-00	K363393.1	023-462-00
RIGHT HAND ITEM NO.	6400027	6400033	6400103	REPAIR PARTS ONLY	6400134
RIGHT HAND ID NO.	023-048-00	023-027-00	023-469-00	K363393.2	023-463-00
MAGNET KIT					
ITEM NO.	6450170-01	6450165-01	6450165-01	6450165-01	6450161-01
ID NO.	K71-057-00	K71-104-00	K71-104-00	K71-104-00	K71-125-00
SHOE & LINING KIT					
LEFT HAND ITEM NO.	6450075	6450066	6450293	6450069	6450064
LEFT HAND ID NO.	K71-045-00	K71-047-00	K71-681-00	K568112	K71-672-00
RIGHT HAND ITEM NO.	6450075	6450066	6450294	6450069	6450064
RIGHT HAND ID NO.	K71-045-00	K71-047-00	K71-682-00	K568112	K71-672-00
<b>Complete Breakdown on:</b>	<b>Page B-5</b>	<b>Page B-6</b>	<b>Page B-7</b>	<b>Page B-8</b>	<b>Page B-9</b>















**D Park**  
DEXTER AXLE

DESCRIPTION	12" x 2"	12" x 2"	12" x 2"	12" x 2"	12" x 2"
CAPACITY PER PAIR	6K	5.2-6K	6K <b>NEV-R-ADJUST</b>	7K	7K <b>NEV-R-ADJUST</b>
BOXED LEFT HAND ITEM NO.	6400010-01	-	6400081-03	6400037-03	6400083-03
BOXED LEFT HAND ID NO.	K23-105-00	-	K23-458-00	K23-180-00	K23-464-00
BOXED RIGHT HAND ITEM NO.	6400036-01	-	6400082-03	6400038-03	6400084-03
BOXED RIGHT HAND ID NO.	K23-106-00	-	K23-459-00	K23-181-00	K23-465-00
LEFT HAND ITEM NO.	6400010	6400110	6400081	6400037	6400083
LEFT HAND ID NO.	023-105-00	023-112-00	023-458-00	023-180-00	023-464-00
RIGHT HAND ITEM NO.	6400036	6400111	6400082	6400038	6400084
RIGHT HAND ID NO.	023-106-00	023-113-00	023-459-00	023-181-00	023-465-00
MAGNET KIT					
ITEM NO.	6450166-01	6450166-01	6450166-01	6450161-01	6450161-01
ID NO.	K71-105-00	K71-105-00	K71-105-00	K71-125-00	K71-125-00
SHOE & LINING KIT					
LEFT HAND ITEM NO.	6450084	6450084	6450309	6450084	6450311
LEFT HAND ID NO.	K71-127-00	K71-127-00	K71-673-00	K71-127-00	K71-675-00
RIGHT HAND ITEM NO.	6450084	6450084	6450310	6450084	6450312
RIGHT HAND ID NO.	K71-127-00	K71-127-00	K71-674-00	K71-127-00	K71-676-00
<b>Complete Breakdown on:</b>	<b>Page B-10</b>	<b>Page B-11</b>	<b>Page B-12</b>	<b>Page B-13</b>	<b>Page B-14</b>










# ELECTRIC BRAKE ASSEMBLIES

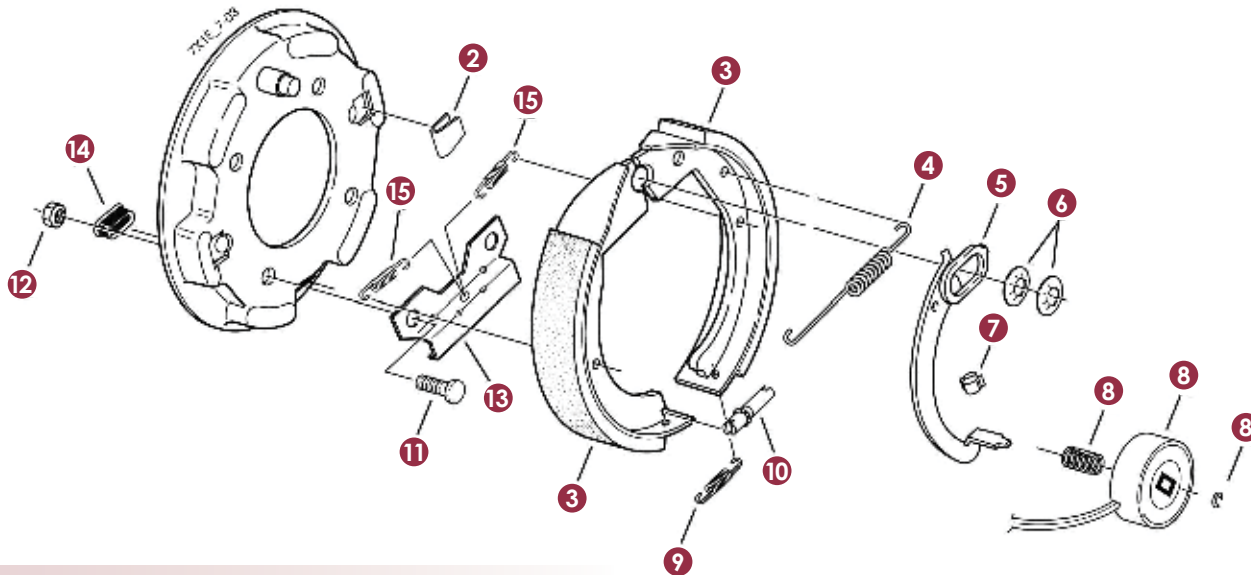


DESCRIPTION	12" x 2"	12 1/4" x 2 1/2"	12" x 3 3/8"	12 1/4" x 3 3/8"	12 1/4" x 3 3/8"
CAPACITY PER PAIR	6K	7.2K	8K	8K 	9-10K GD 
BOXED LEFT HAND ITEM NO.	-	-	-	-	6400044-01
BOXED LEFT HAND ID NO.	-	-	-	-	K23-450-00
BOXED RIGHT HAND ITEM NO.	-	-	-	-	6400045-01
BOXED RIGHT HAND ID NO.	-	-	-	-	K23-451-00
LEFT HAND ITEM NO.	6400121	6400057	6400056	6400039	6400044
LEFT HAND ID NO.	023-105-09	023-428-00	K363601	023-434-00	023-450-00
RIGHT HAND ITEM NO.	6400122	6400058	6400055	6400040	6400045
RIGHT HAND ID NO.	023-106-09	023-429-00	K363602	023-435-00	023-451-00
MAGNET KIT					
ITEM NO.	6450288	6450160-01	6450162	6450173-01	6450174-01
ID NO.	K568111	K71-441-00	K568252	K71-375-00	K71-376-00
SHOE & LINING KIT					
LEFT HAND ITEM NUMBER	6450072	6450289	6450057	6450059	6450059
LEFT HAND ID NO.	K568126	K71-497-00	K363924	K71-499-00	K71-499-00
RIGHT HAND ITEM NUMBER	6450072	6450290	6450057	6450060	6450060
RIGHT HAND ID NO.	K568126	K71-496-00	K363924	K71-498-00	K71-498-00
<b>Complete Breakdown on:</b>	<b>Page B-15</b>	<b>Page B-16</b>	<b>Page B-17</b>	<b>Page B-18</b>	<b>Page B-20</b>



DESCRIPTION	12 1/4" x 3 1/2"	12 1/4" x 4"	12 1/4" x 5"	12 1/4" x 5"
CAPACITY PER PAIR	10-12K	10K	12K	15K
LEFT HAND ITEM NUMBER	6400005	6400019	6400023	6400025
LEFT HAND ID NO.	K568255.2	023-438-00	023-442-00	023-446-00
RIGHT HAND ITEM NUMBER	6400053	6400018	6400022	6400024
RIGHT HAND ID NO.	K568255.1	023-439-00	023-443-00	023-447-00
MAGNET KIT				
ITEM NUMBER	6450162	6450174-01	6450169-01	6450183-01
ID NO.	K568252	K71-376-00	K71-377-00	K71-378-00
SHOE & LINING KIT				
LEFT HAND ITEM NUMBER	6450156	6450041	6450048	6450048
LEFT HAND ID NO.	K568251	K71-501-00	K71-503-00	K71-503-00
RIGHT HAND ITEM NUMBER	6450156	6450042	6450047	6450047
RIGHT HAND ID NO.	K568251	K71-500-00	K71-502-00	K71-502-00
<b>Complete Breakdown on:</b>	<b>Page B-21</b>	<b>Page B-22</b>	<b>Page B-23</b>	<b>Page B-24</b>

# 2,200 LB. • 7" X 1 1/4" ELECTRIC BRAKE ASSEMBLY



- This brake is rated to a maximum capacity of 2,200 lbs. / pair
- Torflex CSA Approved at 2,000#/11.3 SLR; 2,200#/10.2 SLR
- Sprung CSA Approved at 2,000#/12.8 SLR; 2,200#/10.2 SLR

REF. NO.	ITEM NO.	ID NO.	QTY.*	DESCRIPTION
1-1	6400026	023-047-00	1	LH COMPLETE BRAKE ASSEMBLY
1-2	6400027	023-048-00	1	RH COMPLETE BRAKE ASSEMBLY
2	6450303	046-023-00	2	SHOE HOLD DOWN CLIP
3	6450075	K71-045-00	1	SHOE & LINING KIT
4	6450304	046-024-00	1	RETRACTOR SPRING
5	6450004	047-114-04	1	LH ACTUATING LEVER ARM
5	6450005	047-115-04	1	RH ACTUATING LEVER ARM
6	-	046-030-00	2	ANCHOR POST CLIP
7	6450099	027-005-00	1	WIRE CLIP
8	6450170-01	K71-057-00	1	MAGNET KIT
9	6450302	046-022-00	1	ADJUSTING SCREW SPRING
10	6450301	043-021-00	1	ADJUSTING SCREW
11	6450241	007-041-00	4	BRAKE MOUNTING BOLT- PRESS IN
12**	6450181	006-017-00	4	BRAKE MOUNTING NUT
13	-	064-001-00	1	STABILIZER BRACKET
14	6450038	046-007-00	1	ADJUSTER SLOT PLUG
15	6450305	046-114-00	2	SHOE CENTERING SPRING



1-1

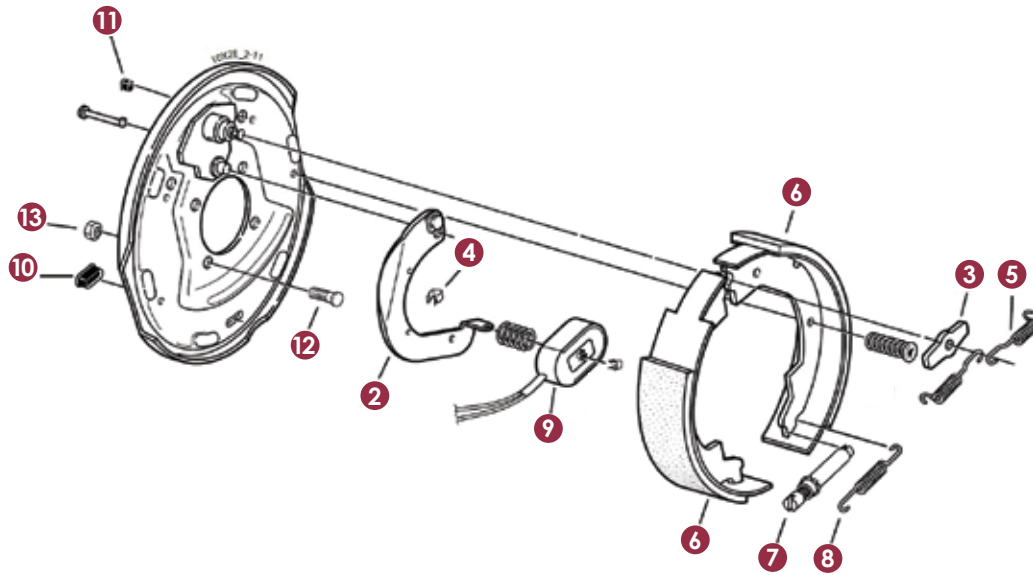


1-2

\* Quantity per brake. \*\* Item Sold Separately.



# 3,500 LBS. • 10" X 2 1/4" ELECTRIC BRAKE ASSEMBLY



- This brake is rated to a maximum capacity of 3,500 lbs. / pair
- CSA Approved at 3,500#/13.3 SLR



1-1



1-2

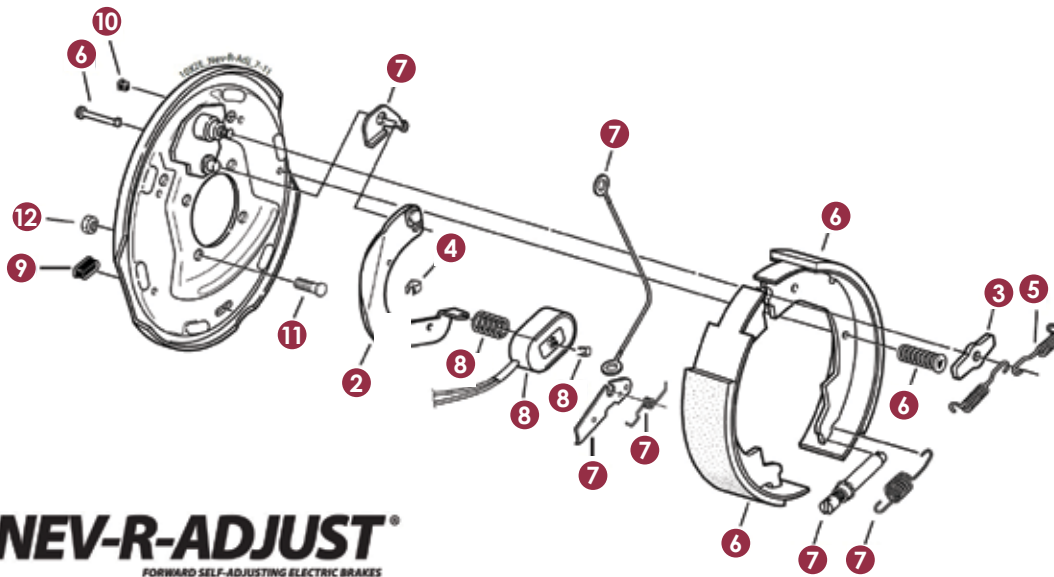
REF. NO.	ITEM NO.	ID NO.	QTY.*	DESCRIPTION
1-1	6400030	023-026-00	1	LH COMPLETE BRAKE ASSEMBLY
1-2	6400033	023-027-00	1	RH COMPLETE BRAKE ASSEMBLY
1-1	6400030-03	K23-026-00	1	LH BOXED COMPLETE BRAKE ASSY
1-2	6400033-01	K23-027-00	1	RH BOXED COMPLETE BRAKE ASSY
2	6450133	047-019-05	1	LH ACTUATING LEVER ARM
2	6450134	047-020-05	1	RH ACTUATING LEVER ARM
3	6450248	005-067-00	1	WASHER
4	6450099	027-005-00	2	WIRE CLIP
5	6450228	046-009-00	2	RETRACTOR SPRING
6	6450066	K71-047-00	1	SHOE & LINING KIT
7	6450007	043-004-00	1	ADJUSTER ASSEMBLY
8	6450226	046-018-00	1	ADJUSTING SCREW SPRING
9	6450165-01	K71-104-00	1	MAGNET KIT
10	6450038	046-007-00	2	ADJUSTER SLOT PLUG
11	6450001	046-016-00	1	WIRE GROMMET
12	6450241	007-041-00	4	BRAKE MOUNTING BOLT - PRESS IN
13**	6450181	006-017-00	4	BRAKE MOUNTING NUT

\* Quantity per brake. \*\* Item Sold Separately.



ELECTRIC BRAKE ASSEMBLIES

# 3,500 LBS. • 10" X 2 1/4" ELECTRIC FSA BRAKE ASSEMBLY



**NEV-R-ADJUST**  
FORWARD SELF-ADJUSTING ELECTRIC BRAKES

- This brake is rated to a maximum capacity of 3,500 lbs. / pair
- CSA Approved at 3,500#/13.3 SLR

REF NO.	ITEM NO.	ID NO.	QTY.*	DESCRIPTION
1-1	6400102	023-468-00	1	LH COMPLETE BRAKE ASSEMBLY
1-2	6400103	023-469-00	1	RH COMPLETE BRAKE ASSEMBLY
2	6450133	047-019-05	1	LH ACTUATING LEVER ARM
2	6450134	047-020-05	1	RH ACTUATING LEVER ARM
3	6450248	005-067-00	1	WASHER
4	6450099	027-005-00	2	WIRE CLIP
5	6450228	046-009-00	2	RETRACTOR SPRING
6-1	6450293	K71-681-00	1	LH SHOE & LINING KIT
6-2	6450294	K71-682-00	1	RH SHOE & LINING KIT
7	6450352	K71-703-00	1	COMPLETE FSA BRAKE ADJUST KIT
8	6450165-01	K71-104-00	1	MAGNET KIT
9	6450038	046-007-00	2	ADJUSTER SLOT PLUG
10	6450001	046-016-00	1	WIRE GROMMET
11	6450241	007-041-00	4	BRAKE MOUNTING BOLT - PRESS IN
12**	6450181	006-017-00	4	BRAKE MOUNTING NUT

\* Quantity per brake. \*\* Item Sold Separately.



1-1



1-2

MADE IN  
 U. S. A.

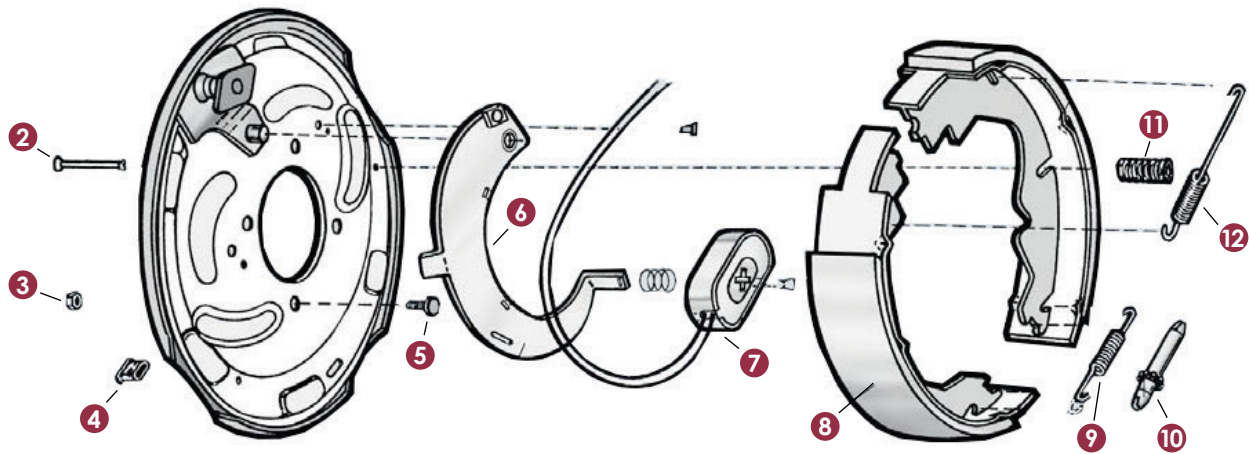


ELECTRIC BRAKE ASSEMBLIES



# 3,500 LBS. • 10" X 2 1/4" ELECTRIC BRAKE ASSEMBLY

**2** YEAR WARRANTY



• This brake is rated to a maximum capacity of 3,500 lbs. / pair



1-1



1-2

REF NO.	ITEM NO.	ID NO.	QTY.*	DESCRIPTION
1-1	6400006	363383.1	1	LH COMPLETE BRAKE ASSEMBLY
1-2	6400007	363383.2	1	RH COMPLETE BRAKE ASSEMBLY
2	6450186	049-002-00	1	BRAKE SHOE HOLD DOWN PIN
3**	6450181	006-017-00	4	BRAKE MOUNTING NUT
4	6450038	046-007-00	1	ADJUSTER SLOT PLUG
5	6450241	007-041-00	4	BRAKE MOUNTING STUD - PRESS IN
6	-	568122	1	LH ACTUATING LEVER ARM
6	-	568121	1	RH ACTUATING LEVER ARM
7	6450165-01	K71-104-00	1	MAGNET KIT
8	6450069	K568112	1	SHOE & LINING KIT
9	6450226	046-018-00	1	ADJUSTER SCREW SPRING
10	6450007	043-004-00	1	ADJUSTER SCREW
11	6450222	046-077-00	1	SPRING & CUP HOLD DOWN
12	6450214	9650603	1	RETRACTOR SPRING

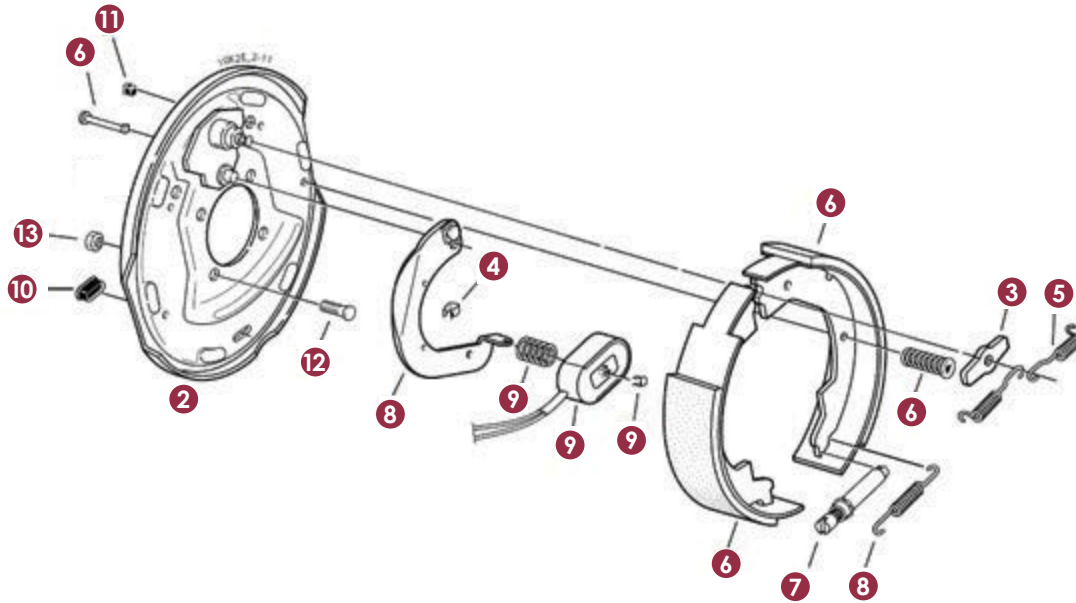
\* Quantity per brake. \*\* Item Sold Separately.

**AL-KO**  
GENUINE PARTS  
By DEXTER

MADE IN  
  
U. S. A.

ELECTRIC BRAKE ASSEMBLIES

# 4,400 LBS. • 10" X 2 1/4" ELECTRIC BRAKE ASSEMBLY



- This brake is rated to a maximum capacity of 4,400 lbs. / pair
- CSA Approved at 4,400#/13.0 SLR

REF NO.	ITEM NO.	ID NO.	QTY.*	DESCRIPTION
1-1	6400133	023-462-00	1	LH COMPLETE BRAKE ASSEMBLY
1-2	6400134	023-463-00	1	RH COMPLETE BRAKE ASSEMBLY
2	6450133	047-019-05	1	LH ACTUATING LEVER ARM
2	6450134	047-020-05	1	RH ACTUATING LEVER ARM
3	6450248	005-067-00	1	WASHER
4	6450099	027-005-00	2	WIRE CLIP
5	6450228	046-009-00	2	RETRACTOR SPRING
6	6450064	K71-672-00	1	SHOE & LINING KIT
7	6450007	043-004-00	1	ADJUSTER SCREW
8	6450226	046-018-00	1	ADJUSTER SCREW SPRING
9	6450161-01	K71-125-00	1	MAGNET KIT
10	6450038	046-007-00	2	ADJUSTER SLOT PLUG
11	6450001	046-016-00	1	WIRE GROMMET
12	6450241	007-041-00	4	BRAKE MOUNTING BOLT - PRESS IN
13**	6450181	006-017-00	4	BRAKE MOUNTING NUT

\* Quantity per brake. \*\* Item Sold Separately.



1-1

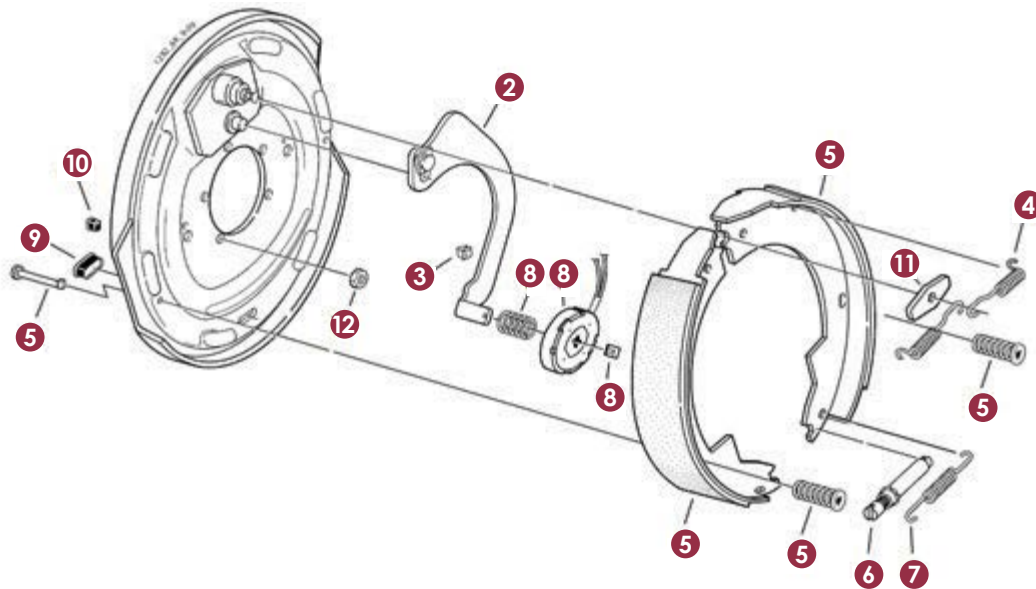


1-2

ELECTRIC BRAKE ASSEMBLIES



# 6,000 LBS. • 12" X 2" ELECTRIC BRAKE ASSEMBLY =



- This brake is rated to a maximum capacity of 6,000 lbs. / pair
- CSA Approved at 6,000#/14.2 SLR



1-1



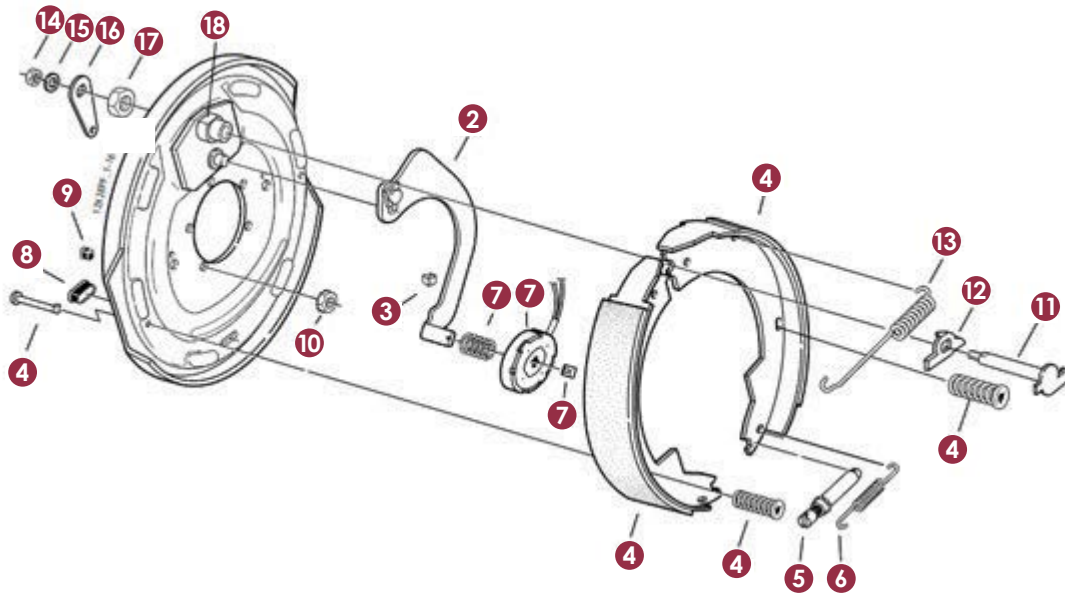
1-2

REF NO.	ITEM NO.	ID NO.	QTY.*	DESCRIPTION
1-1	6400010	023-105-00	1	LH COMPLETE BRAKE ASSEMBLY
1-2	6400036	023-106-00	1	RH COMPLETE BRAKE ASSEMBLY
1-1	6400010-01	K23-105-00	1	LH BOXED COMPLETE BRAKE ASSY
1-2	6400036-01	K23-106-00	1	RH BOXED COMPLETE BRAKE ASSY
2	6450135	047-107-05	1	LH ACTUATING LEVER ARM
2	6450136	047-108-05	1	RH ACTUATING LEVER ARM
3	6450099	027-005-00	2	WIRE CLIP
4	6450228	046-009-00	2	RETRACTOR SPRING
5	6450084	K71-127-00	1	SHOE & LINING KIT
6	6450007	043-004-00	1	ADJUSTER ASSEMBLY
7	6450226	046-018-00	1	ADJUSTING SCREW SPRING
8	6450166-01	K71-105-00	1	MAGNET KIT
9	6450038	046-007-00	2	ADJUSTER SLOT PLUG
10	6450001	046-016-00	1	WIRE GROMMET
11	6450248	005-067-00	1	ANCHOR POST WASHER
12**	6450308	006-193-00	5	BRAKE MOUNTING NUT

\* Quantity per brake. \*\* Item Sold Separately.



# 6,000 LBS. • 12" X 2" ELECTRIC W/PARK FEATURE BRAKE ASSEMBLY



- This brake is rated to a maximum capacity of 6,000 lbs. / pair
- CSA Approved at 6,000#/14.2 SLR

REF NO.	ITEM NO.	ID NO.	QTY.*	DESCRIPTION
1-1	6400110	023-112-00	1	LH COMPLETE BRAKE ASSEMBLY
1-2	6400111	023-113-00	1	RH COMPLETE BRAKE ASSEMBLY
2	6450135	047-107-05	1	LH ACTUATING LEVER ARM
2	6450136	047-108-05	1	RH ACTUATING LEVER ARM
3	6450099	027-005-00	2	WIRE CLIP
4	6450084	K71-127-00	1	SHOE & LINING KIT
5	6450007	043-004-00	1	ADJUSTER SCREW
6	6450226	046-018-00	1	ADJUSTING SCREW SPRING
7	6450166-01	K71-105-00	1	MAGNET KIT
8	6450038	046-007-00	2	ADJUSTER SLOT PLUG
9	6450001	046-016-00	1	WIRE GROMMET
10**	6450308	006-193-00	5	BRAKE MOUNTING NUT
11	-	039-025-00	1	LH PIVOT PIN & CAM SUB-ASSEMBLY
11	-	039-026-00	1	RH PIVOT PIN & CAM SUB-ASSEMBLY
12	-	039-048-00	1	LH ACTUATING CAM
12	-	039-049-00	1	RH ACTUATING CAM
13	-	045-005-00	1	RETRACTOR SPRING
14	9000143	006-011-00	1	PIVOT PIN LOCKNUT
15	-	005-041-00	1	WASHER
16	-	047-070-00	1	PARKING BRAKE LEVER
17	9000139	006-047-00	1	ANCHOR POST LOCKNUT
18	-	038-068-00	1	ANCHOR POST & BUSHING SUB-ASSEMBLY



1-1



1-2

\* Quantity per brake. \*\* Item Sold Separately.

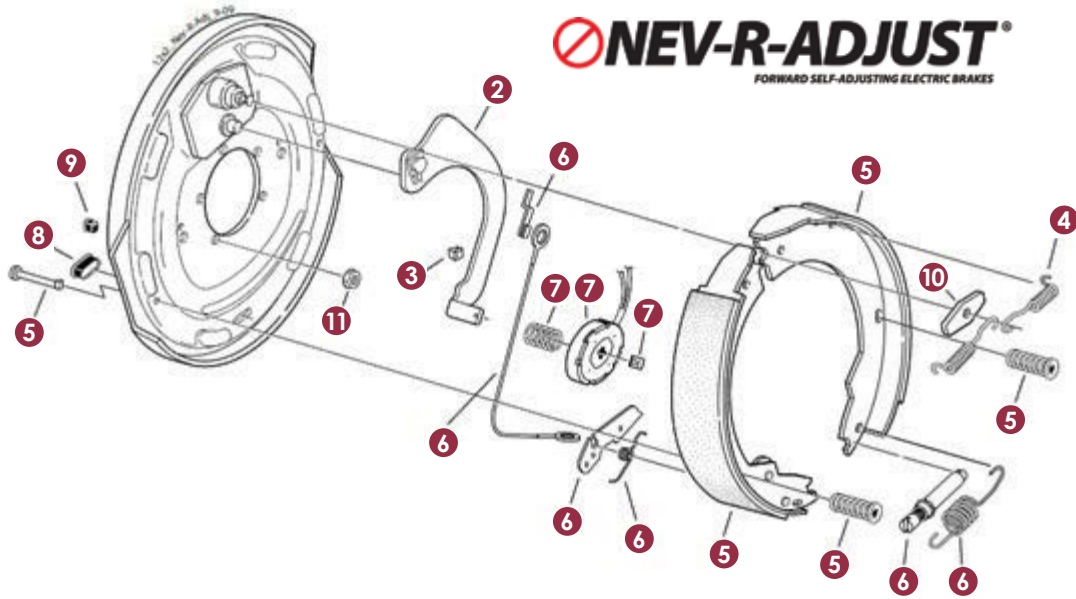




# 6,000 LBS. • 12" X 2" ELECTRIC FSA BRAKE ASSEMBLY =



**NEV-R-ADJUST**  
FORWARD SELF-ADJUSTING ELECTRIC BRAKES



- This brake is rated to a maximum capacity of 6,000 lbs. / pair
- CSA Approved at 6,000#/14.2 SLR



1-1



1-2

REF NO.	ITEM NO.	ID NO.	QTY.*	DESCRIPTION
1-1	6400081	023-458-00	1	LH COMPLETE BRAKE ASSEMBLY
1-2	6400082	023-459-00	1	RH COMPLETE BRAKE ASSEMBLY
1-1	6400081-03	K23-458-00	1	LH BOXED COMPLETE BRAKE ASSY
1-2	6400082-03	K23-459-00	1	RH BOXED COMPLETE BRAKE ASSY
2	6450135	047-107-05	1	LH ACTUATING LEVER ARM
2	6450136	047-108-05	1	RH ACTUATING LEVER ARM
3	6450099	027-005-00	2	WIRE CLIP
4	6450228	046-009-00	2	RETRACTOR SPRING
5-1	6450309	K71-673-00	1	LH SHOE & LINING KIT
5-2	6450310	K71-674-00	1	RH SHOE & LINING KIT
6	6451003	K71-679-00	1	COMPLETE FSA BRAKE ADJUST KIT
7	6450166-01	K71-105-00	1	MAGNET KIT
8	6450038	046-007-00	2	ADJUSTER SLOT PLUG
9	6450001	046-016-00	1	WIRE GROMMET
10	6450248	005-067-00	1	ANCHOR POST WASHER
11**	6450308	006-193-00	5	BRAKE MOUNTING NUT

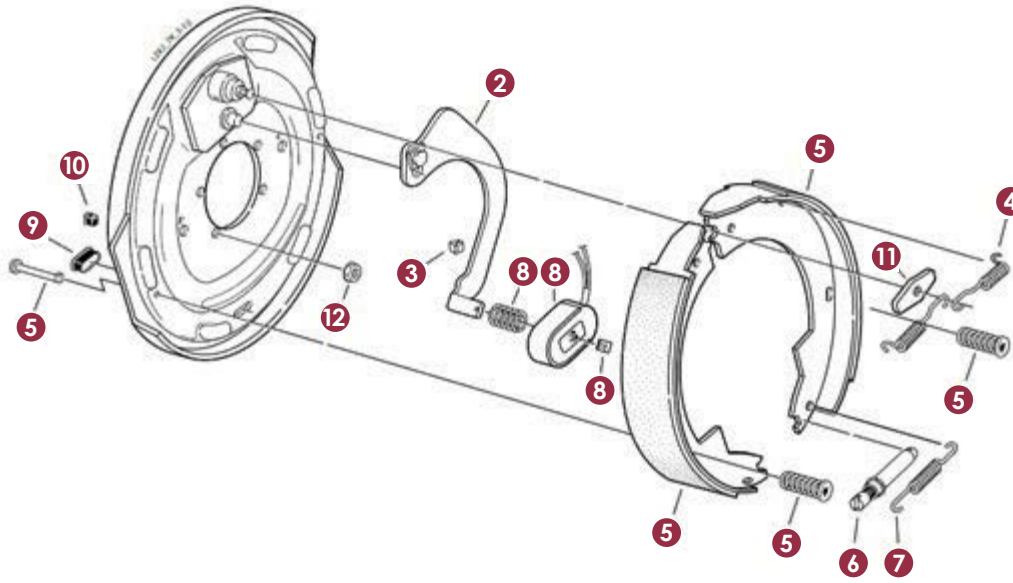
\* Quantity per brake. \*\* Item Sold Separately.

MADE IN  
 U. S. A.



ELECTRIC BRAKE ASSEMBLIES

# 7,000 LBS. • 12" X 2" ELECTRIC BRAKE ASSEMBLY



- This brake is rated to a maximum capacity of 7,000 lbs. / pair
- CSA Approved at 7,000#/13.8 SLR

REF NO.	ITEM NO.	ID NO.	QTY.*	DESCRIPTION
1-1	6400037	023-180-00	1	LH COMPLETE BRAKE ASSEMBLY
1-2	6400038	023-181-00	1	RH COMPLETE BRAKE ASSEMBLY
1-1	6400037-03	K23-180-00	1	LH BOXED COMPLETE BRAKE ASSY
1-2	6400038-03	K23-181-00	1	RH BOXED COMPLETE BRAKE ASSY
2	6450135	047-107-05	1	LH ACTUATING LEVER ARM
2	6450136	047-108-05	1	RH ACTUATING LEVER ARM
3	6450099	027-005-00	2	WIRE CLIP
4	6450228	046-009-00	2	RETRACTOR SPRING
5	6450084	K71-127-00	1	SHOE & LINING KIT
6	6450007	043-004-00	1	ADJUSTER ASSEMBLY
7	6450226	046-018-00	1	ADJUSTING SCREW SPRING
8	6450161-01	K71-125-00	1	MAGNET KIT
9	6450038	046-007-00	2	ADJUSTER SLOT PLUG
10	6450001	046-016-00	1	WIRE GROMMET
11	6450248	005-067-00	1	ANCHOR POST WASHER
12**	6450308	006-193-00	5	BRAKE MOUNTING NUT

\* Quantity per brake. \*\* Item Sold Separately.



1-1



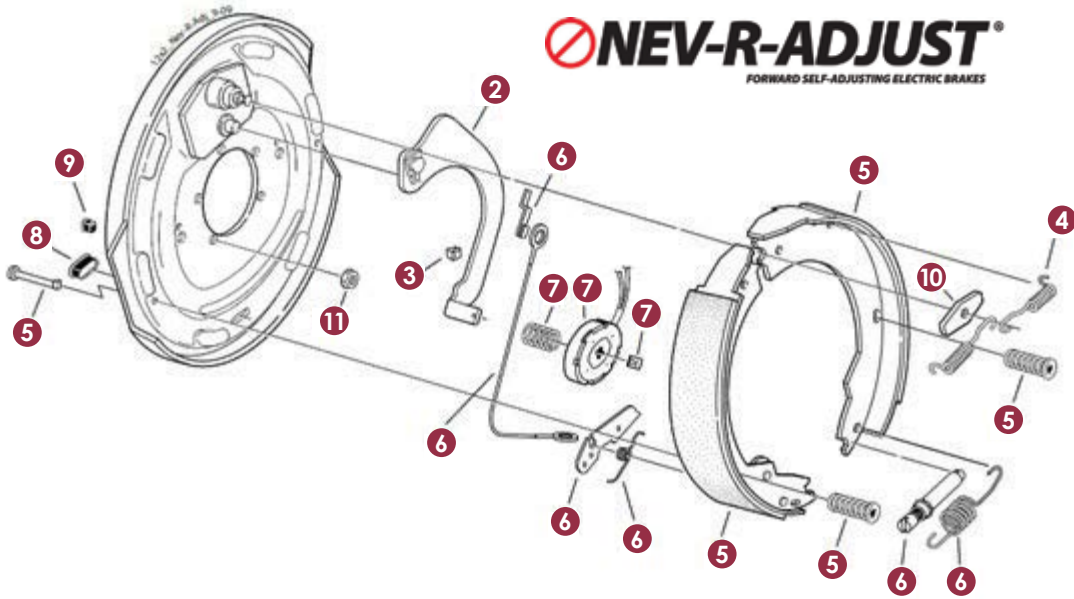
1-2



# 7,000 LBS. • 12" X 2" ELECTRIC FSA BRAKE ASSEMBLY =



**NEV-R-ADJUST®**  
FORWARD SELF-ADJUSTING ELECTRIC BRAKES



- This brake is rated to a maximum capacity of 7,000 lbs. / pair
- CSA Approved at 7,000#/13.8 SLR



1-1



1-2

REF NO.	ITEM NO.	ID NO.	QTY.*	DESCRIPTION
1-1	6400083	023-464-00	1	LH COMPLETE BRAKE ASSEMBLY
1-2	6400084	023-465-00	1	RH COMPLETE BRAKE ASSEMBLY
1-1	6400083-03	K23-464-00	1	LH BOXED COMPLETE BRAKE ASSY
1-2	6400084-03	K23-465-00	1	RH BOXED COMPLETE BRAKE ASSY
2	6450135	047-107-05	1	LH ACTUATING LEVER ARM
2	6450136	047-108-05	1	RH ACTUATING LEVER ARM
3	6450099	027-005-00	2	WIRE CLIP
4	6450228	046-009-00	2	RETRACTOR SPRING
5-1	6450311	K71-675-00	1	LH SHOE & LINING KIT
5-2	6450312	K71-676-00	1	RH SHOE & LINING KIT
6	6451003	K71-679-00	1	COMPLETE FSA BRAKE ADJUST KIT
7	6450161-01	K71-125-00	1	MAGNET KIT
8	6450038	046-007-00	2	ADJUSTER SLOT PLUG
9	6450001	046-016-00	1	WIRE GROMMET
10	6450248	005-067-00	1	ANCHOR POST WASHER
11**	6450308	006-193-00	5	BRAKE MOUNTING NUT

\* Quantity per brake. \*\* Item Sold Separately.

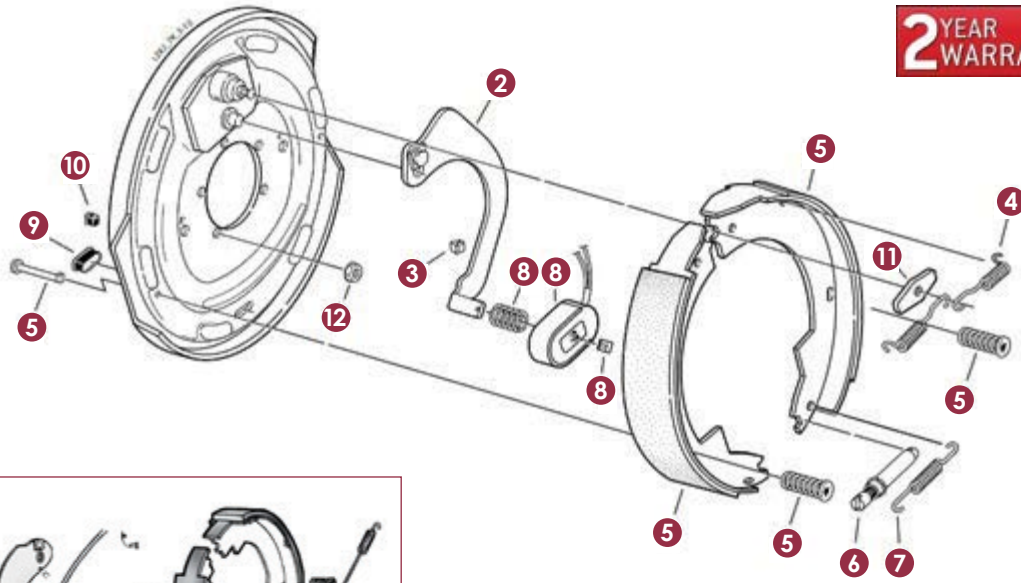
MADE IN  
 U. S. A.



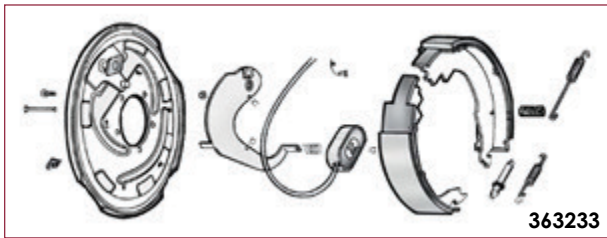
ELECTRIC BRAKE ASSEMBLIES

# 6,000 LBS. • 12" X 2" ELECTRIC BRAKE (9 MOUNTING HOLES) =

**2** YEAR WARRANTY



**AL-KO**



- Items 1-1 and 1-2 below from Dexter will fit an AL-KO Axle.
- The AL-KO 363233 Assembly is not available.

• This brake is rated to a maximum capacity of 5,200 - 7,000 lbs. / pair

REF NO.	ITEM NO.	ID NO.	QTY.*	DESCRIPTION
1-1	6400121	023-105-09	1	LH COMPLETE BRAKE ASSEMBLY
1-2	6400122	023-106-09	1	RH COMPLETE BRAKE ASSEMBLY
2	6450135	047-107-05	1	LH ACTUATING LEVER ARM
2	6450136	047-108-05	1	RH ACTUATING LEVER ARM
3	6450099	027-005-00	2	WIRE CLIP
4	6450228	046-009-00	2	RETRACTOR SPRING
5-1	6450084	K71-127-00	1	DEXTER SHOE & LINING KIT
5-2	6450072	K568126	1	ALKO SHOE & LINING KIT
6	6450007	043-004-00	1	ADJUSTER ASSEMBLY
7	6450226	046-018-00	1	ADJUSTING SCREW SPRING
8	6450161-01	K71-125-03	1	DEXTER MAGNET KIT
8	6450288	K568111	1	ALKO MAGNET KIT
9	6450038	046-007-00	2	ADJUSTER SLOT PLUG
10	6450001	046-016-00	1	WIRE GROMMET
11	6450248	005-067-00	1	ANCHOR POST WASHER
12**	6450308	006-193-00	5	BRAKE MOUNTING NUT

\* Quantity per brake. \*\* Item Sold Separately.

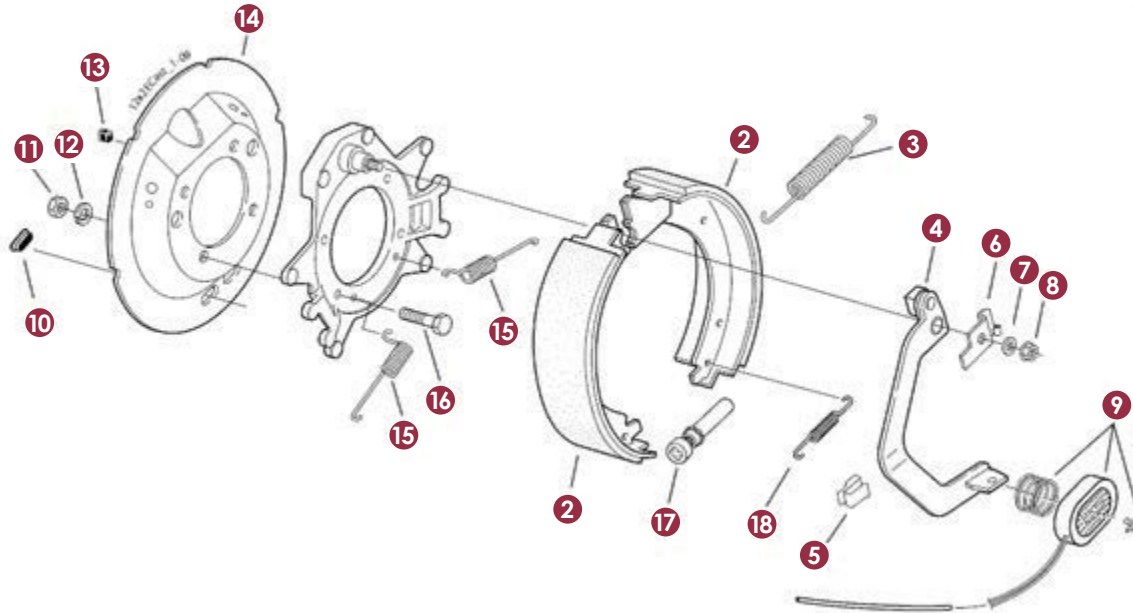


ELECTRIC BRAKE ASSEMBLIES

**AL-KO**  
GENUINE PARTS  
By DEXTER  
MADE IN  
U. S. A.



# 7,200 LBS. • 12 1/4" X 2 1/2" ELECTRIC BRAKE ASSEMBLY



- This brake is rated to a maximum capacity of 7,200 lbs. / pair
- CSA Approved at 7,100#/14.2 SLR



1-1



1-2

REF NO.	ITEM NO.	ID NO.	QTY.*	DESCRIPTION
1-1	6400057	023-428-00	1	LH COMPLETE BRAKE ASSEMBLY
1-2	6400058	023-429-00	1	RH COMPLETE BRAKE ASSEMBLY
2-1	6450289	K71-497-00	1	LH SHOE & LINING KIT
2-2	6450290	K71-496-00	1	RH SHOE & LINING KIT
3	6450237	046-119-00	1	SHOE RETURN (GRAY)
4-1	6450137	047-124-05	1	LH ACTUATING LEVER ARM
4-2	6450138	047-125-05	1	RH ACTUATING LEVER ARM
5	6450102	027-039-00	3	WIRE CLIP
6	6450211	071-455-01	1	LH LEVER ARM RETAINER
6	6450212	071-455-02	1	RH LEVER ARM RETAINER
7	6450155	005-142-00	1	WASHER
8	6450177	006-092-01	1	FLANGE NUT
9	6450160-01	K71-441-00	1	MAGNET KIT
10**	6450038	046-007-00	2	ADJUSTER SLOT PLUG
11**	9000137	006-129-00	4	HEX NUT
12**	9000251	005-058-00	4	LOCK WASHER
13**	6450001	046-016-00	1	MAGNET WIRE GROMMET
14**	6450300	036-118-20	1	DUST SHIELD
15**	6450097	046-136-00	2	CENTERING SPRING
16**	9000425	007-251-00	4	BRAKE MOUNTING BOLT
17	6450009	048-017-00	1	ADJUSTER SCREW
18	6450226	046-018-00	1	ADJUSTER SPRING (RED)

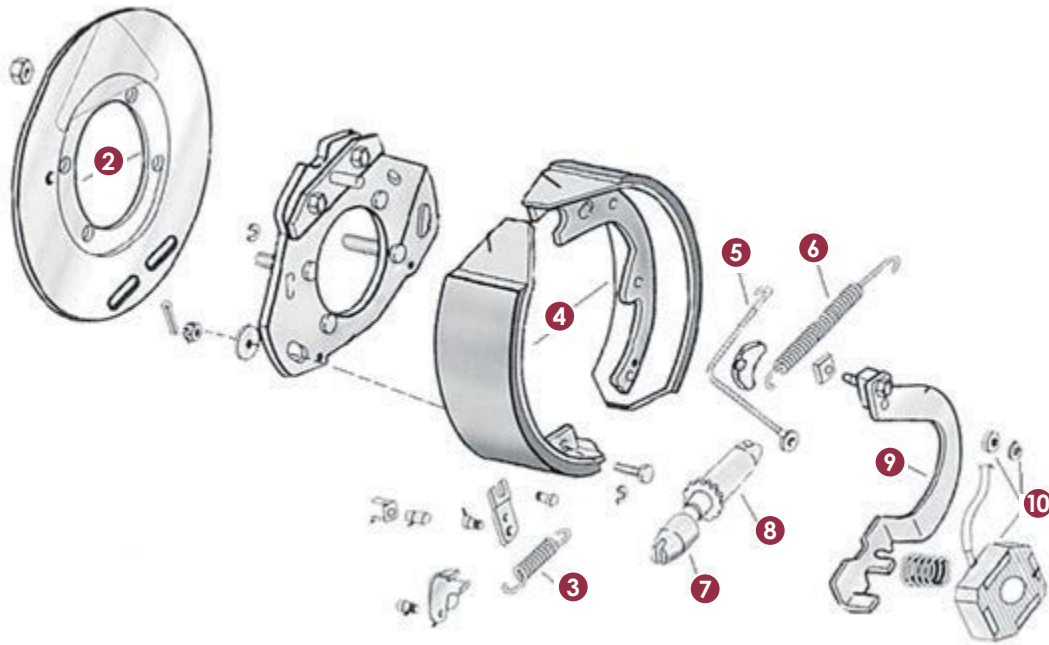
\* Quantity per brake. \*\* Item Sold Separately.



ELECTRIC BRAKE ASSEMBLIES

# 8,000 LBS. • 12" X 3 3/8" ELECTRIC BRAKE ASSEMBLY =

**2** YEAR WARRANTY



• This brake is rated to a maximum capacity of 8,000 lbs. / pair

REF NO.	ITEM NO.	ID NO.	QTY.*	DESCRIPTION
1-1+	6400056	K363601	1	LH COMPLETE BRAKE ASSEMBLY
1-2+	6400055	K363602	1	RH COMPLETE BRAKE ASSEMBLY
2	6450110	568289	1	DUST COVER
3	-	568239	1	SELF ADJUSTER SPRING
4	6450057	K363924	1	SHOE & LINING KIT
5	6450089	568245	1	CABLE ASSEMBLY
6	6450295	568226	1	SHOE RETRACTING SPRING
7	6450215	568272	1	SELF ADJUSTER SOCKET
8	6450205	568257	1	LH ADJUSTER ASSEMBLY
8	6450015	568256	1	RH ADJUSTER ASSEMBLY
9	6450398	568237	1	LH LEVER ASSEMBLY
9	6450257	568236	1	RH LEVER ASSEMBLY
10	6450162	K568252	1	MAGNET KIT

\* Quantity per brake. \*\* Item Sold Separately.  
+ Special Order Only for Replacement Parts.

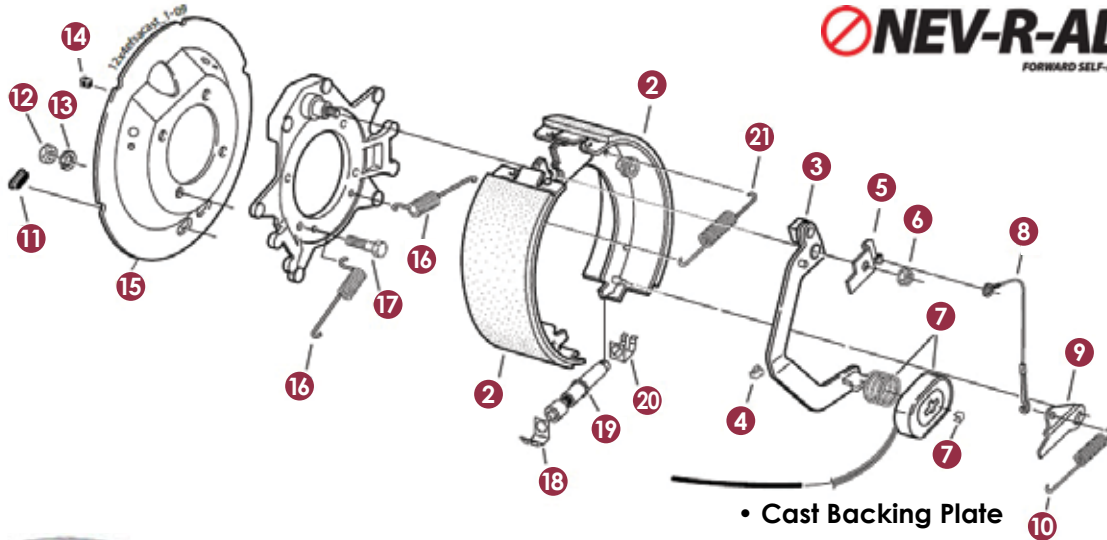
**AL-KO**  
GENUINE PARTS  
By DEXTER

MADE IN  
  
U. S. A.



ELECTRIC BRAKE ASSEMBLIES

# 8,000 LBS. • 12 1/4" X 3 3/8" ELECTRIC FSA BRAKE ASSEMBLY =



- This brake is rated to a maximum capacity of 8,000 lbs. / pair
- CSA Approved at 7,000#/14.2 SLR



1-1



1-2

REF NO.	ITEM NO.	ID NO.	QTY.*	DESCRIPTION
1-1	6400039	023-434-00	1	LH COMPLETE BRAKE ASSEMBLY
1-2	6400040	023-435-00	1	RH COMPLETE BRAKE ASSEMBLY
2-1	6450059	K71-499-00	1	LH SHOE & LINING KIT
2-2	6450060	K71-498-00	1	RH SHOE & LINING KIT
3	6450271	047-123-38	1	LH ACTUATING LEVER ARM
3	6450270	047-123-37	1	RH ACTUATING LEVER ARM
4	6450102	027-039-00	3	WIRE CLIP
5	6450211	071-455-01	1	LH ARM/ SHOE RETAINER
5	6450212	071-455-02	1	RH ARM / SHOE RETAINER
6	6450177	006-092-01	1	FLANGE NUT
7	6450173-01	K71-375-00	1	MAGNET KIT
8	6450088	071-462-00	1	ADJUSTER CABLE
9	6450146	071-464-00	1	LH ADJUSTER LEVER
9	6450150	071-463-00	1	RH ADJUSTER LEVER
10	6450275	046-137-00	1	ADJUSTER SPRING
11	6450038	046-007-00	2	ADJUSTER SLOT PLUG
12**	9000137	006-129-00	4	BRAKE MOUNTING NUT
13**	9000251	005-058-00	4	LOCK WASHER
14**	6450001	046-016-00	1	WIRE GROMMET
15**	6450113	036-115-20	1	DUST SHIELD
16	6450097	046-136-00	2	CENTERING SPRING
17**	6450019	007-097-00	4	BRAKE MOUNTING BOLT
18	6450100	046-132-00	1	ADJUSTER CLIP (THREAD END)
19	6450011	048-019-00	1	LH ADJUSTER ASSEMBLY (SILVER)
19	6450010	048-020-00	1	RH ADJUSTER ASSEMBLY (GOLD)
20	6450101	046-133-00	1	ADJUSTER CLIP (BARREL END)
21	6450237	046-119-00	1	RETURN SPRING

\* Quantity per brake. \*\* Item Sold Separately.



ELECTRIC BRAKE ASSEMBLIES

# 9K - 15K HEAVY DUTY FORWARD SELF-ADJUSTING ELECTRIC BRAKES



Heavy Duty Actuating Lever with oil impregnated bushing for long trouble-free operation.

Anchor post of high strength steel to accept high torques of heavy duty brake service.

Backing Plate is a cast spider from high strength ductile iron designed for long life under heavy duty braking conditions.

Adjuster Link transmits braking forces between brake shoes. Length is adjusted during normal vehicle forward and reverse operation to maintain close brakes shoe-to-drum relation for maximum braking efficiency and service-free operation.

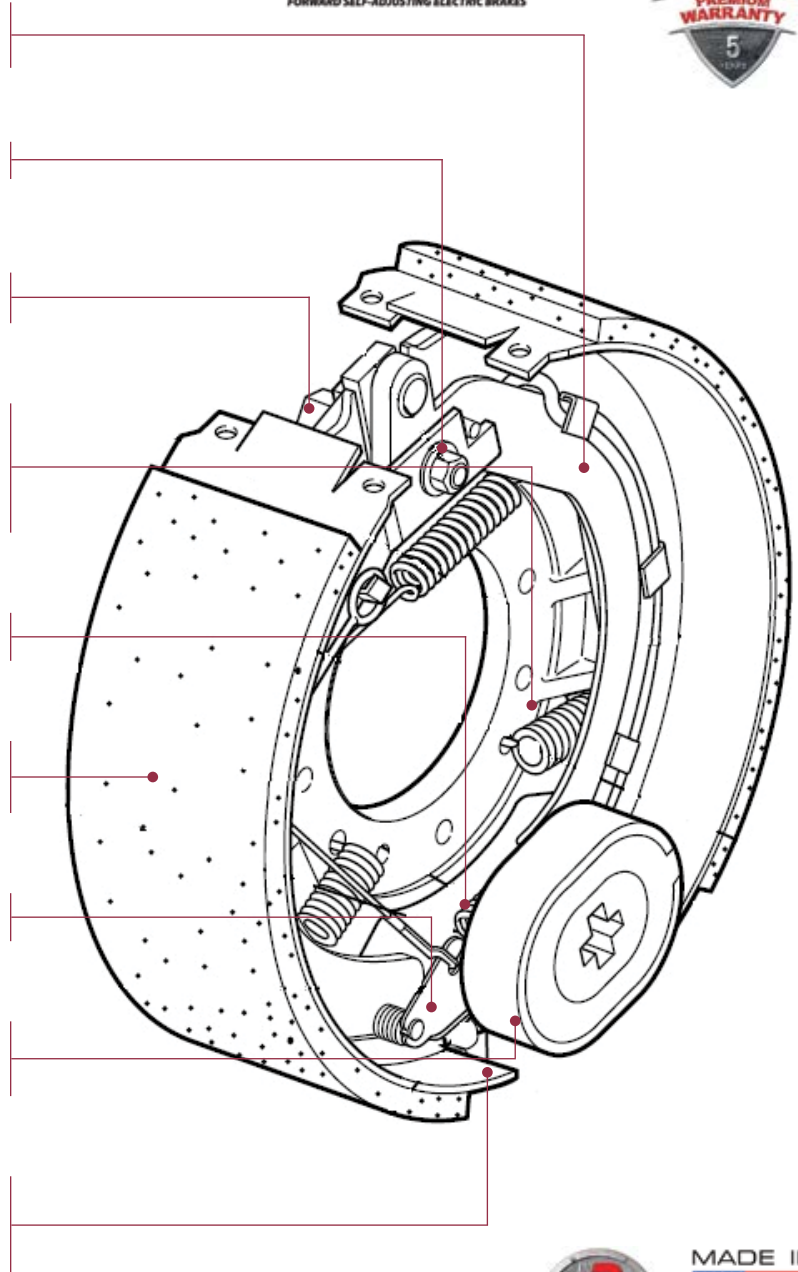
Adjuster Spring holds heel ends of brake shoes engaged with adjuster link.

Brake Lining are truck type for improved stopping force and extended service life. Linings are bonded to brake shoes for more useable lining life.

Adjuster Pawl is cable actuated when brake is applied while vehicle is operating in forward or reverse.

Electromagnet, powdered metal body with large, friction wear surface. Spring on actuating lever pin positions electromagnet positively against drum armature surface.

Brake Shoes are fabricated out of heavy gauge steel to completely support brake linings under service conditions without warping. The shoes assure adequate strength to withstand high forces needed for more efficient braking.



⊕ ELECTRIC BRAKE ASSEMBLIES

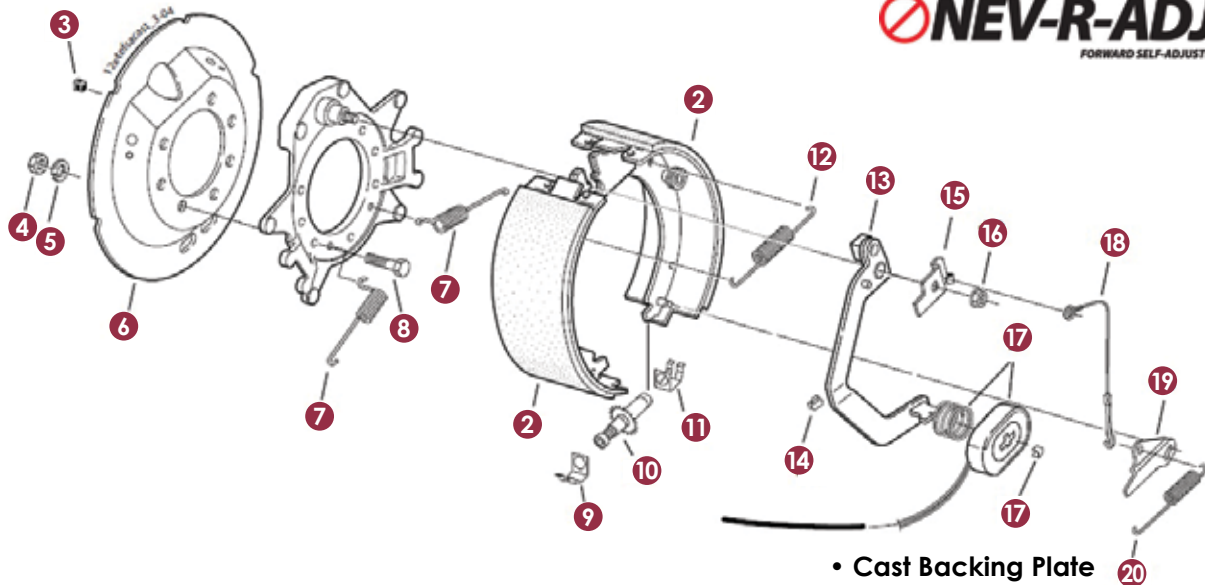
ITEM NO.	ID NO.	CAPACITY*	SIZE	DESCRIPTION	CAT PG.
6400044	023-450-00	9K, 10KGD, #13G	12-1/4" x 3-3/8"	LH COMPLETE BRAKE ASSEMBLY	B-20
6400045	023-451-00	9K, 10KGD, #13G	12-1/4" x 3-3/8"	RH COMPLETE BRAKE ASSEMBLY	B-20
6400019	023-438-00	10K, #13D	12-1/4" x 4"	LH COMPLETE BRAKE ASSEMBLY	B-22
6400018	023-439-00	10K, #13D	12-1/4" x 4"	RH COMPLETE BRAKE ASSEMBLY	B-22
6400023	023-442-00	12K, #14T	12-1/4" x 5"	LH COMPLETE BRAKE ASSEMBLY	B-23
6400022	023-443-00	12K, #14T	12-1/4" x 5"	RH COMPLETE BRAKE ASSEMBLY	B-23
6400025	023-446-00	15K	12-1/4" x 5"	LH COMPLETE BRAKE ASSEMBLY	B-24
6400024	023-447-00	15K	12-1/4" x 5"	RH COMPLETE BRAKE ASSEMBLY	B-24



# 9,000 - 10,000 LBS. • 12 1/4" X 3 3/8" GENERAL DUTY ELECTRIC FSA BRAKE ASSEMBLY =

**2** YEAR WARRANTY

**NEV-R-ADJUST**<sup>®</sup>  
FORWARD SELF-ADJUSTING ELECTRIC BRAKES



1-1



1-2

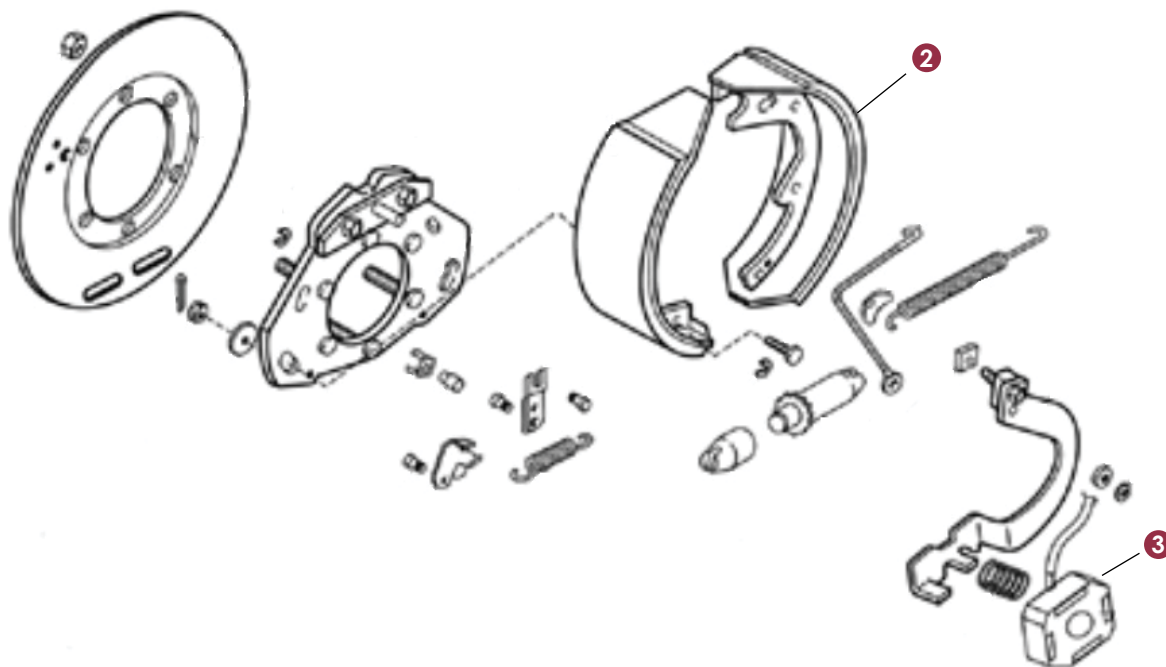
REF NO.	ITEM NO.	ID NO.	QTY*	DESCRIPTION
1-1	6400044	023-450-00	1	LH COMPLETE BRAKE ASSEMBLY
1-2	6400045	023-451-00	1	RH COMPLETE BRAKE ASSEMBLY
1-1	6400044-01	K23-450-00	1	LH BOXED COMPLETE BRAKE ASSY
1-2	6400045-01	K23-451-00	1	RH BOXED COMPLETE BRAKE ASSY
2-1	6450059	K71-499-00	1	LH SHOE & LINING KIT
2-2	6450060	K71-498-00	1	RH SHOE & LINING KIT
3**	6450001	046-016-00	1	WIRE GROMMET
4**	6450181	006-017-00	7	BRAKE MOUNTING NUT
5**	7030116	005-008-00	7	LOCK WASHER
6**	6450118	036-115-21	1	DUST SHIELD
7	6450097	046-136-00	2	CENTERING SPRING
8**	6450020	007-116-00	7	BRAKE MOUNTING BOLT
9	6450101	046-133-00	1	ADJUSTER CLIP (BARREL END)
10	6450011	048-019-00	1	LH ADJUSTER ASSEMBLY (SILVER)
10	6450010	048-020-00	1	RH ADJUSTER ASSEMBLY (GOLD)
11	6450100	046-132-00	1	ADJUSTER CLIP (THREAD END)
12	6450237	046-119-00	1	RETURN SPRING
13	6450271	047-123-38	1	LH ACTUATING ARM ASSEMBLY
13	6450270	047-123-37	1	RH ACTUATING ARM ASSEMBLY
14	6450102	027-039-00	3	WIRE CLIP
15	6450211	071-455-01	1	LH ARM / SHOE RETAINER
15	6450212	071-455-02	1	RH ARM / SHOE RETAINER
16	6450177	006-092-01	1	FLANGE NUT
17	6450174-01	K71-376-00	1	MAGNET KIT
18	6450088	071-462-00	1	ADJUSTER CABLE
19	6450146	071-464-00	1	LH ADJUSTER LEVER
19	6450150	071-463-00	1	RH ADJUSTER LEVER
20	6450275	046-137-00	1	ADJUSTER SPRING

\* Quantity per brake. \*\* Item Sold Separately.



# 10,000 - 12,000 LBS. • 12 ¼" X 3 ½" HEAVY DUTY ELECTRIC BRAKE ASSEMBLY

**2** YEAR WARRANTY



REF NO.	ITEM NO.	ID NO.	QTY.*	DESCRIPTION
1-1	6400005	K23-528-00	1	LH COMPLETE BRAKE ASSEMBLY
1-2	6400053	K23-529-00	1	RH COMPLETE BRAKE ASSEMBLY
2	6450156	K568251	1	SHOE & LINING KIT
3	6450162	K568252	1	MAGNET KIT

\* Quantity per brake.

**AL-KO**  
GENUINE PARTS  
By DEXTER



1-1



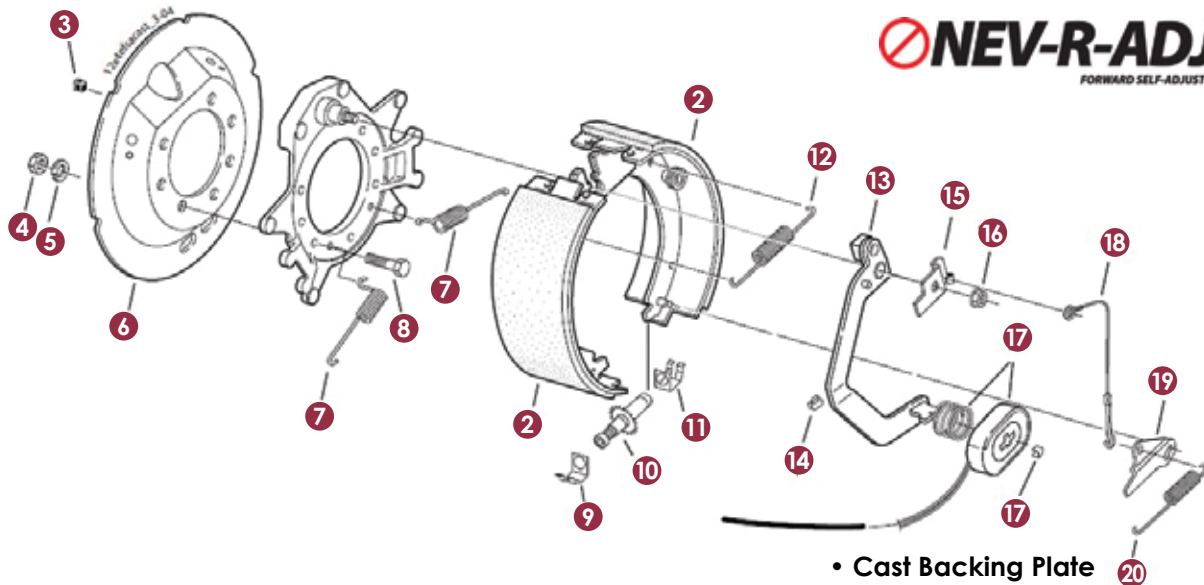
1-2

ELECTRIC BRAKE ASSEMBLIES

# 10,000 LBS. • 12 1/4" X 4" HEAVY DUTY ELECTRIC FSA BRAKE ASSEMBLY



**NEV-R-ADJUST**  
FORWARD SELF-ADJUSTING ELECTRIC BRAKES



1-1



1-2



REF NO.	ITEM NO.	ID NO.	QTY.*	DESCRIPTION
1-1	6400019	023-438-00	1	LH COMPLETE BRAKE ASSEMBLY
1-2	6400018	023-439-00	1	RH COMPLETE BRAKE ASSEMBLY
2-1	6450041	K71-501-00	1	LH SHOE & LINING KIT
2-2	6450042	K71-500-00	1	RH SHOE & LINING KIT
3**	6450001	046-016-00	1	WIRE GROMMET
4**	6450181	006-017-00	7	BRAKE MOUNTING NUT
5**	7030116	005-008-00	7	LOCK WASHER
6**	6450269	036-115-22	1	DUST SHIELD
7	6450097	046-136-00	2	CENTERING SPRING
8**	6450020	007-116-00	7	BRAKE MOUNTING BOLT
9	6450101	046-133-00	1	ADJUSTER CLIP (BARREL END)
10	6450011	048-019-00	1	LH ADJUSTER ASSEMBLY (SILVER)
10	6450010	048-020-00	1	RH ADJUSTER ASSEMBLY (GOLD)
11	6450100	046-132-00	1	ADJUSTER CLIP (THREAD END)
12	6450237	046-119-00	1	RETURN SPRING
13	6450271	047-123-38	1	LH ACTUATING ARM ASSEMBLY
13	6450270	047-123-37	1	RH ACTUATING ARM ASSEMBLY
14	6450102	027-039-00	3	WIRE CLIP
15	6450211	071-455-01	1	LH ARM / SHOE RETAINER
15	6450212	071-455-02	1	RH ARM / SHOE RETAINER
16	6450177	006-092-01	1	FLANGE NUT
17	6450174-01	K71-376-00	1	MAGNET KIT
18	6450088	071-462-00	1	ADJUSTER CABLE
19	6450146	071-464-00	1	LH ADJUSTER LEVER
19	6450150	071-463-00	1	RH ADJUSTER LEVER
20	6450275	046-137-00	1	ADJUSTER SPRING

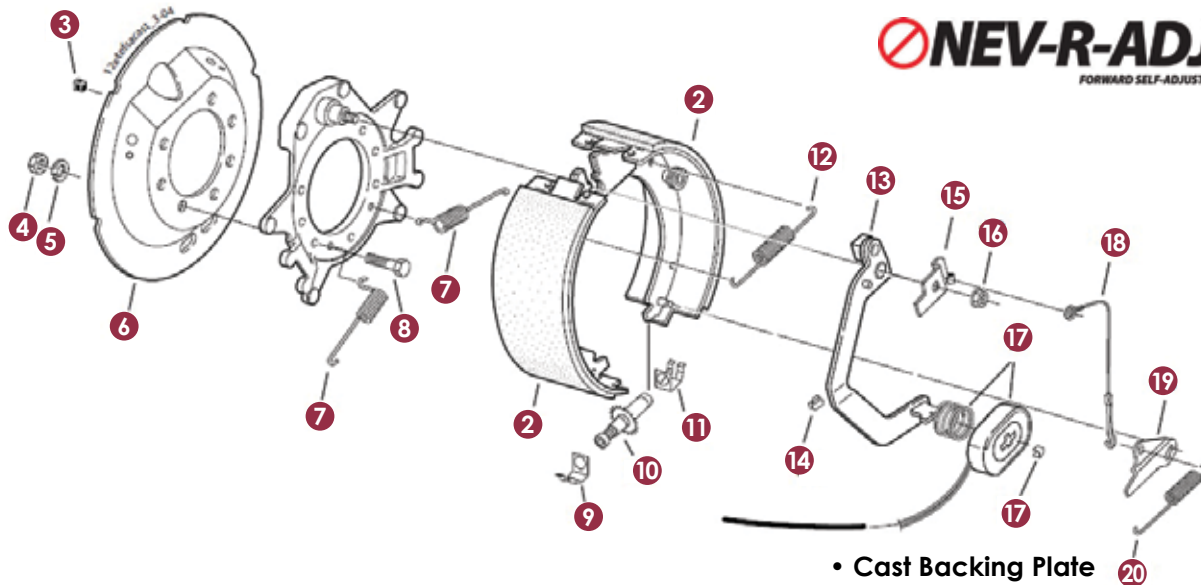
\* Quantity per brake. \*\* Item Sold Separately.



# 12,000 LBS. • 12 ¼" X 5" HEAVY DUTY ELECTRIC FSA BRAKE ASSEMBLY



**NEV-R-ADJUST**  
FORWARD SELF-ADJUSTING ELECTRIC BRAKES



REF NO.	ITEM NO.	ID NO.	QTY.*	DESCRIPTION
1-1	6400023	023-442-00	1	LH COMPLETE BRAKE ASSEMBLY
1-2	6400022	023-443-00	1	RH COMPLETE BRAKE ASSEMBLY
2-1	6450048	K71-503-00	1	LH SHOE & LINING KIT
2-2	6450047	K71-502-00	1	RH SHOE & LINING KIT
3**	6450001	046-016-00	1	WIRE GROMMET
4**	6450181	006-017-00	7	BRAKE MOUNTING NUT
5**	7030116	005-008-00	7	LOCK WASHER
6**	6450117	036-115-23	1	DUST SHIELD
7	6450097	046-136-00	2	CENTERING SPRING
8**	6450020	007-116-00	7	BRAKE MOUNTING BOLT
9	6450101	046-133-00	1	ADJUSTER CLIP (BARREL END)
10	6450011	048-019-00	1	LH ADJUSTER ASSEMBLY (SILVER)
10	6450010	048-020-00	1	RH ADJUSTER ASSEMBLY (GOLD)
11	6450100	046-132-00	1	ADJUSTER CLIP (THREAD END)
12	6450237	046-119-00	1	RETURN SPRING
13	6450267	047-123-36	1	LH ACTUATING ARM ASSEMBLY
13	6450268	047-123-35	1	RH ACTUATING ARM ASSEMBLY
14	6450102	027-039-00	3	WIRE CLIP
15	6450211	071-455-01	1	LH ARM / SHOE RETAINER
15	6450212	071-455-02	1	RH ARM / SHOE RETAINER
16	6450177	006-092-01	1	FLANGE NUT
17	6450169-01	K71-377-00	1	MAGNET KIT
18	6450088	071-462-00	1	ADJUSTER CABLE
19	6450146	071-464-00	1	LH ADJUSTER LEVER
19	6450150	071-463-00	1	RH ADJUSTER LEVER
20	6450275	046-137-00	1	ADJUSTER SPRING



1-1



1-2



\* Quantity per brake. \*\* Item Sold Separately.



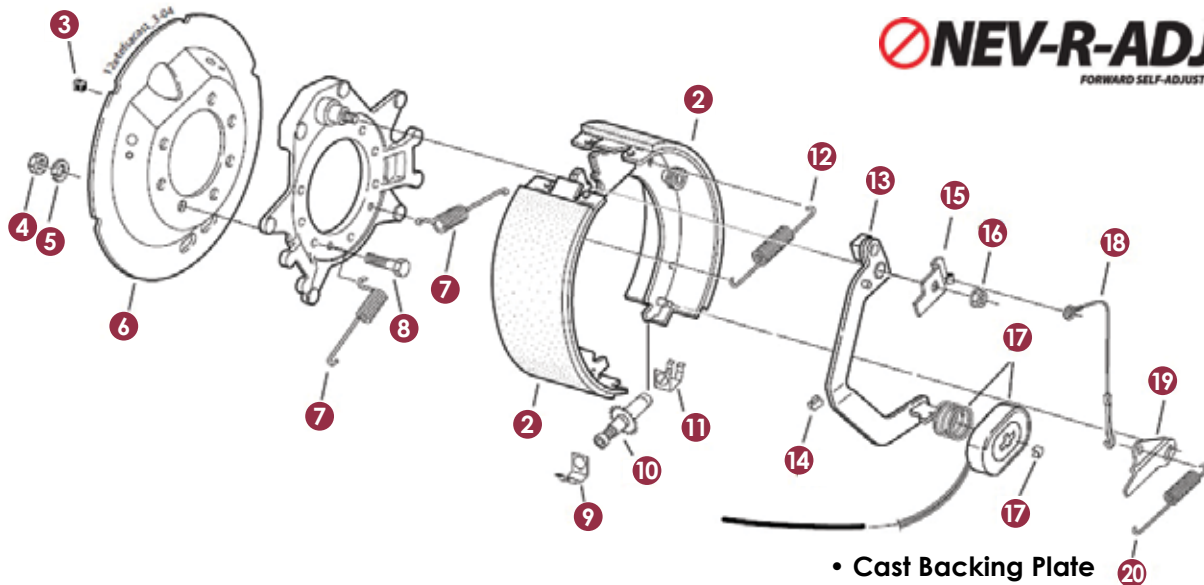
ELECTRIC BRAKE ASSEMBLIES



# 15,000 LBS. • 12 1/4" X 5" HEAVY DUTY ELECTRIC FSA BRAKE ASSEMBLY



**NEV-R-ADJUST**  
FORWARD SELF-ADJUSTING ELECTRIC BRAKES



1-1



1-2



REF NO.	ITEM NO.	ID NO.	QTY.*	DESCRIPTION
1-1	6400025	023-446-00	1	LH COMPLETE BRAKE ASSEMBLY
1-2	6400024	023-447-00	1	RH COMPLETE BRAKE ASSEMBLY
2-1	6450048	K71-503-00	1	LH SHOE & LINING KIT
2-2	6450047	K71-502-00	1	RH SHOE & LINING KIT
3**	6450001	046-016-00	1	WIRE GROMMET
4**	6450181	006-017-00	7	BRAKE MOUNTING NUT
5**	7030116	005-008-00	7	LOCK WASHER
6**	6450117	036-115-23	1	DUST SHIELD
7	6450097	046-136-00	2	CENTERING SPRING
8**	6450020	007-116-00	7	BRAKE MOUNTING BOLT
9	6450101	046-133-00	1	ADJUSTER CLIP (BARREL END)
10	6450011	048-019-00	1	LH ADJUSTER ASSEMBLY (SILVER)
10	6450010	048-020-00	1	RH ADJUSTER ASSEMBLY (GOLD)
11	6450100	046-132-00	1	ADJUSTER CLIP (THREAD END)
12	6450237	046-119-00	1	RETURN SPRING
13	6450267	047-123-36	1	LH ACTUATING ARM ASSEMBLY
13	6450268	047-123-35	1	RH ACTUATING ARM ASSEMBLY
14	6450102	027-039-00	3	WIRE CLIP
15	6450211	071-455-01	1	LH ARM / SHOE RETAINER
15	6450212	071-455-02	1	RH ARM / SHOE RETAINER
16	6450177	006-092-01	1	FLANGE NUT
17	6450183-01	K71-378-00	1	MAGNET KIT
18	6450088	071-462-00	1	ADJUSTER CABLE
19	6450146	071-464-00	1	LH ADJUSTER LEVER
19	6450150	071-463-00	1	RH ADJUSTER LEVER
20	6450275	046-137-00	1	ADJUSTER SPRING






\* Quantity per brake. \*\* Item Sold Separately.

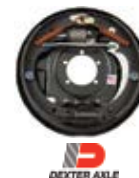
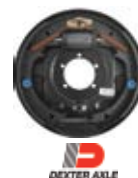







ELECTRIC BRAKE ASSEMBLIES

# HYDRAULIC BRAKE ASSEMBLIES



DESCRIPTION	10" x 2 1/4"	10" x 2 1/4"	10" x 2 1/4"	10" x 2 1/4"	10" x 2 1/4"	12" x 2"
CAPACITY PER PAIR	3.5K	3.5K	3.5K	3.5K	3.5K	6K
TYPE	UNI-SERVO	DUO-SERVO	PARK FEATURE	FREEBACKING	MARINE FREEBACKING	UNI-SERVO
LEFT HAND ITEM NUMBER	6400031	6400095	6400093	6400064	6400028	6400046
LEFT HAND ID NO.	023-312-00	023-310-00	023-330-00	023-344-00	SB40716M	023-324-00
RIGHT HAND ITEM NUMBER	6400032	6400096	6400094	6400065	6400029	6400047
RIGHT HAND ID NO.	023-313-00	023-311-00	023-331-00	023-345-00	SB40715M	023-325-00
SHOE & LINING KIT					NOT AVAILABLE	
LEFT HAND ITEM NUMBER	6450051	6450051	6450051	6450265	-	6450052
LEFT HAND ID NO.	K71-267-00	K71-267-00	K71-267-00	K71-393-00	-	K71-268-00
RIGHT HAND ITEM NUMBER	6450051	6450051	6450051	6450265	-	6450052
RIGHT HAND ID NO.	K71-267-00	K71-267-00	K71-267-00	K71-393-00	-	K71-268-00
<b>Complete Breakdown on:</b>	<b>Page B-28</b>	<b>Page B-28</b>	<b>Page B-29</b>	<b>Page B-30</b>	<b>Page B-31</b>	<b>Page B-32</b>



DESCRIPTION	12" x 2"	12" x 2"	12" x 2"	12" x 2"	12" x 2"	12" x 2"
CAPACITY PER PAIR	6K	6K	6K	7K	7K	7K
TYPE	DUO-SERVO	UNI-SERVO PARK	MARINE FREEBACKING	UNI-SERVO	DUO-SERVO	PARK
LEFT HAND ITEM NUMBER	6400068	6400109	6400086	6400066	6400071	6400069
LEFT HAND ID NO.	023-322-00	023-320-00	SB42029M	023-338-00	023-336-00	023-334-00
RIGHT HAND ITEM NUMBER	6400097	6400108	6400085	6400067	6400072	6400070
RIGHT HAND ID NO.	023-323-00	023-321-00	SB42028M	023-339-00	023-337-00	023-335-00
SHOE & LINING KIT			NOT AVAILABLE			
LEFT HAND ITEM NUMBER	6450052	6450052	-	6450071	6450071	6450071
LEFT HAND ID NO.	K71-268-00	K71-268-00	-	K71-269-00	K71-269-00	K71-269-00
RIGHT HAND ITEM NUMBER	6450052	6450052	-	6450070	6450070	6450070
RIGHT HAND ID NO.	K71-268-00	K71-268-00	-	K71-270-00	K71-270-00	K71-270-00
<b>Complete Breakdown on:</b>	<b>Page B-32</b>	<b>Page B-33</b>	<b>Page B-34</b>	<b>Page B-35</b>	<b>Page B-35</b>	<b>Page B-36</b>

# HYDRAULIC BRAKE ASSEMBLIES



DESCRIPTION	12" x 2"	12" x 2"	12" x 3 3/8"	12 1/4" x 3 3/8"	12 1/4" x 3 3/8"
CAPACITY PER PAIR	7K	7K	8K	8K	9-10KGD
TYPE	FREEBACKING	MARINE FREEBACKING	UNI-SERVO	FSA	FSA
LEFT HAND ITEM NUMBER	6400008	-	6400080	6400041	6400014
LEFT HAND ID NO.	023-342-00	023-342-01	60206803	023-402-00	023-410-00
RIGHT HAND ITEM NUMBER	6400009	-	6400080	6400042	6400015
RIGHT HAND ID NO.	023-343-00	023-343-01	60206803	023-403-00	023-411-00
SHOE & LINING KIT					
LEFT HAND ITEM NUMBER	6450053	-	6450058	6450081	6450081
LEFT HAND ID NO.	K71-394-00	K71-427-00	K363925	K71-165-00	K71-165-00
RIGHT HAND ITEM NUMBER	6450083	-	6450058	6450080	6450080
RIGHT HAND ID NO.	K71-395-00	K71-428-00	K363925	K71-166-00	K71-166-00
<b>Complete Breakdown on:</b>	<b>Page B-37</b>	<b>Page B-37</b>	<b>Page B-38</b>	<b>Page B-39</b>	<b>Page B-41</b>



DESCRIPTION	12 1/4" x 3 1/2"	12 1/4" x 4"	12 1/4" x 5"	12 1/4" x 5"
CAPACITY PER PAIR	10-12K	10K	12K	15K
TYPE		FSA	FSA	FSA
LEFT HAND ITEM NUMBER	6400195	6400020	6400088	6400090
LEFT HAND ID NO.	K568213	023-404-00	023-408-00	023-406-00
RIGHT HAND ITEM NUMBER	6400195	6400021	6400089	6400091
RIGHT HAND ID NO.	K568213	023-405-00	023-409-00	023-407-00
SHOE & LINING KIT				
LEFT HAND ITEM NUMBER	6450062	6450074	6450077	6450077
LEFT HAND ID NO.	K568234	K71-167-00	K71-169-00	K71-169-00
RIGHT HAND ITEM NUMBER	6450062	6450073	6450076	6450076
RIGHT HAND ID NO.	K568234	K71-168-00	K71-170-00	K71-170-00
<b>Complete Breakdown on:</b>	<b>Page B-42</b>	<b>Page B-43</b>	<b>Page B-44</b>	<b>Page B-44</b>



# HYDRAULIC DISC & AIR BRAKE ASSEMBLIES



DESCRIPTION	10" 545 Disc	10" 545 Disc	12" 655 Disc	13" 865 Disc	13" 865 Disc	13" 865 Disc
MANUFACTURER						
CAPACITY PER PAIR	3.5K MAXX	3.5K MAXX SS* Caliper	6K	7K	8K	8K
SLIP-ON KIT	6450503	6450504	6450579	6450657	6450512	6450745
MAXX COAT ID NO.	DBSO-3.5K-MAXX	DBSO-3.5K-MAXX-SS	DBSO-6K-MAXX	DBSO-7K-MAXX	K71-635-00	DBSO-8KD9-MAXX
INTEGRAL KIT	6450510	6450511	6450586	6450676	-	-
MAXX COAT ID NO.	DBI-3.5K-MAXX	DBI-3.5K-MAXX-SS	DBI-6K-MAXX	DBI-7K-MAXX	-	-
DISC BRAKE PAD KIT						
SEMI-METALLIC	6450620	6450620	6450620	6450406	6450287 K71-629-00	6450406
CERAMIC	6450392	6450392	6450392	6450810	-	6450810
<b>Complete Breakdown on:</b>	<b>Page B-45</b>	<b>Page B-45</b>	<b>Page B-44</b>	<b>Page B-44</b>	<b>Page B-52</b>	<b>Page B-44</b>

\*SS = Stainless Steel Caliper

Available In Stainless Steel



DESCRIPTION	DISC	DISC BRAKE	DISC BRAKE
MANUFACTURER			
CAPACITY PER PAIR	9-10KGD	10-12K	10-12K
TYPE	-	Hub & Rotor	Hub & Rotor
SLIP-ON KIT	-	9089421	10K
MAXX COAT ID NO.	-	09089421	7650132-02
INTEGRAL KIT	-	-	12K
MAXX COAT ID NO.	-	-	7650067-02
DISC BRAKE PAD KIT	-		
SEMI-METALLIC	-	6450039	6450109
10KGD ITEM NO.	6450414	-	-
10KGD ID NO.	DBI-10K-MAXX	-	-
<b>Complete Breakdown on:</b>	<b>Page B-54</b>	<b>Page B-54</b>	<b>Page B-55 &amp; 56</b>

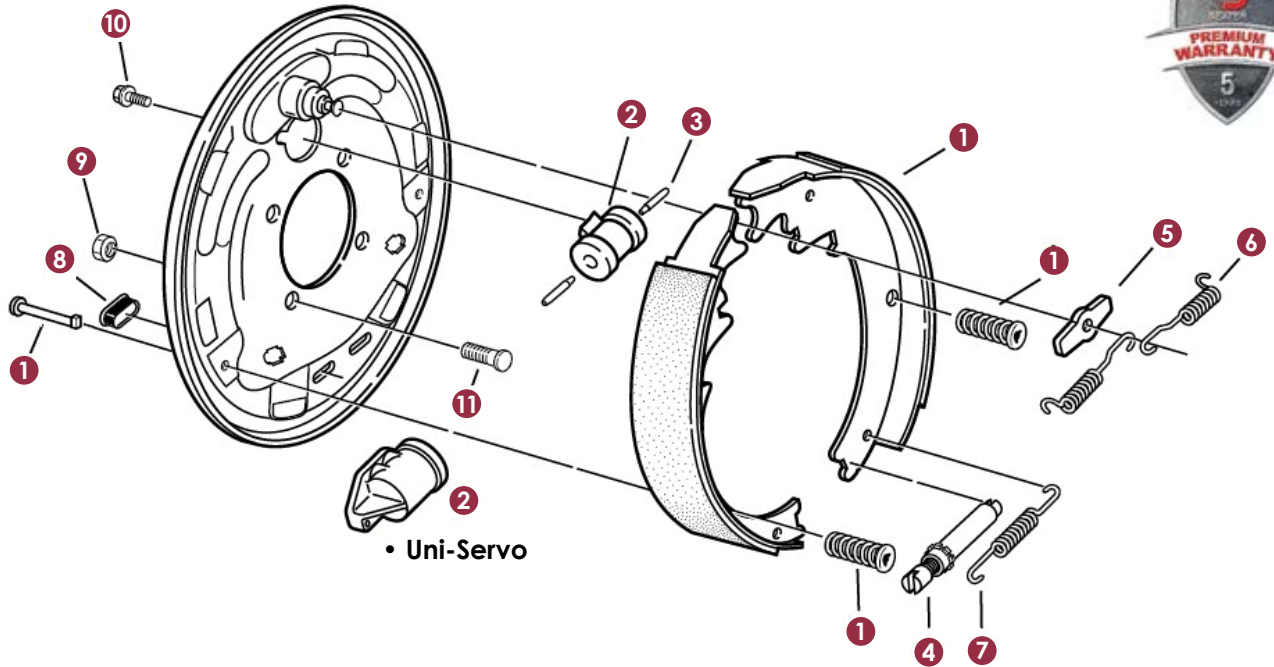
DESCRIPTION	AIR BRAKE "PQ"	AIR BRAKE "P"	AIR BRAKE "Q"
CAPACITY PER PAIR	10K-27.5K	10K	22.5K-27.5K
10K ITEM NO.	6450262	6450261	-
10K ID NO.	040-321-01	040-164-01	-
12K-15K ITEM NO.	6450263	-	-
12K-15K ID NO.	040-322-01	-	-
22.5K-27.5K ITEM NO.	6450273	-	6450285
22.5K-27.5K ID NO.	040-320-01	-	040-180-00
<b>Complete Breakdown on:</b>	<b>Page B-57</b>	<b>Page B-58</b>	<b>Page B-59</b>



HYDRAULIC DISC & AIR BRAKE ASSEMBLIES



# 3,500 LBS. • 10" X 2 1/4" UNI-SERVO HYDRAULIC BRAKE ASSEMBLY



• Uni-Servo

- Uni-Servo brakes to be used with surge actuator
- This brake is rated to a maximum capacity of 3,500 lbs. / pair
- Sprung CSA Approved at 3,500#/14.0 SLR; Uni-Servo



1-1



1-2



2-1

2-2



2-3

2-4

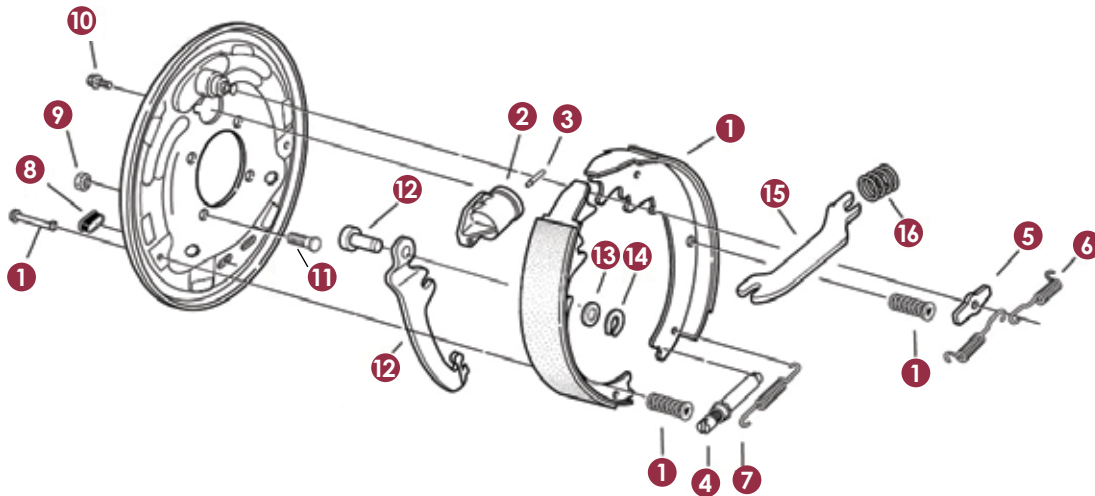
REF NO.	ITEM NO.	ID NO.	QTY.*	DESCRIPTION
1	6450051	K71-267-00	1	SHOE & LINING KIT COMPLETE
1-1	6400031	023-312-00	1	UNI-SERVO LH COMPLETE BRAKE ASSEMBLY
1-2	6400032	023-313-00	1	UNI-SERVO RH COMPLETE BRAKE ASSEMBLY
1-3	6400095	023-310-00	1	DUO-SERVO LH COMPLETE BRAKE ASSEMBLY
1-4	6400096	023-311-00	1	DUO-SERVO RH COMPLETE BRAKE ASSEMBLY
2-1	6450250	054-064-00	1	UNI-SERVO LH BRAKE CYLINDER
2-2	6450251	054-065-00	1	UNI-SERVO RH BRAKE CYLINDER
2-3	6450107	054-062-00	1	DUO-SERVO LH BRAKE CYLINDER
2-4	6450108	054-063-00	1	DUO-SERVO RH BRAKE CYLINDER
3	6450256	054-060-00	1 OR 2	CYLINDER PUSH ROD US (1) DS (2)
4	6450007	043-004-00	1	ADJUSTER ASSEMBLY
5	6451004	005-113-00	1	ANCHOR POST WASHER
6	6450228	046-009-00	2	RETRACTOR SPRING
7	6450226	046-018-00	1	ADJUSTING SCREW SPRING
8	6450038	046-007-00	1	ADJUSTER SLOT PLUG
9**	6450181	006-017-00	4	BRAKE MOUNTING NUT
10	6451005	087-001-00	2	SEMS (SCREW & WASHER ASSEMBLY)
11	6450241	007-041-00	4	BRAKE MOUNTING BOLT- PRESS IN
NS	-	054-089-00	1	BLEEDER SCREW (INCLUDED WITH ITEM 2)

\* Quantity per brake. \*\* Item Sold Separately.

HYDRAULIC BRAKE ASSEMBLIES



# 3,500 LBS. • 10" X 2 1/4" UNI-SERVO HYDRAULIC PARK BRAKE ASSEMBLY =



- Uni-Servo brakes to be used with surge actuator
- This brake is rated to a maximum capacity of 3,500 lbs. / pair
- Sprung CSA Approved at 3,500#/14.0 SLR; Uni-Servo

REF NO.	ITEM NO.	ID NO.	QTY*	DESCRIPTION
1	6450051	K71-267-00	1	SHOE & LINING KIT COMPLETE
1-1	6400093	023-330-00	1	UNI-SERVO LH COMPLETE BRAKE ASSEMBLY
1-2	6400094	023-331-00	1	UNI-SERVO RH COMPLETE BRAKE ASSEMBLY
2-1	6450250	054-064-00	1	UNI-SERVO LH BRAKE CYLINDER
2-2	6450251	054-065-00	1	UNI-SERVO RH BRAKE CYLINDER
3	6450256	054-060-00	1	CYLINDER PUSH ROD US (1)
4	6450007	043-004-00	1	ADJUSTER ASSEMBLY
5	6451004	005-113-00	1	ANCHOR POST WASHER
6	6450228	046-009-00	2	RETRACTOR SPRING
7	6450226	046-018-00	1	ADJUSTING SCREW SPRING
8	6450038	046-007-00	1	ADJUSTER SLOT PLUG
9**	6450181	006-017-00	4	BRAKE MOUNTING NUT
10	6451005	087-001-00	2	SEMS (SCREW & WASHER ASSEMBLY)
11	6450241	007-041-00	4	BRAKE MOUNTING BOLT- PRESS IN
12	-	047-116-01	1	LH PARKING LEVER & PIN ASSEMBLY
12	-	047-117-01	1	RH PARKING LEVER & PIN ASSEMBLY
13	-	005-112-00	1	SPRING TENSION WASHER
14	6450190	069-055-00	1	RETAINER
ns	-	054-089-00	1	BLEEDER SCREW (INCLUDED WITH ITEM 2)
ns**	6451006	071-514-00	1	PARK BRAKE CABLE
15	-	047-118-00	1	PARKING STRUT
16	6450387	046-103-00	1	PARKING STRUT SPRING



1-1



1-2



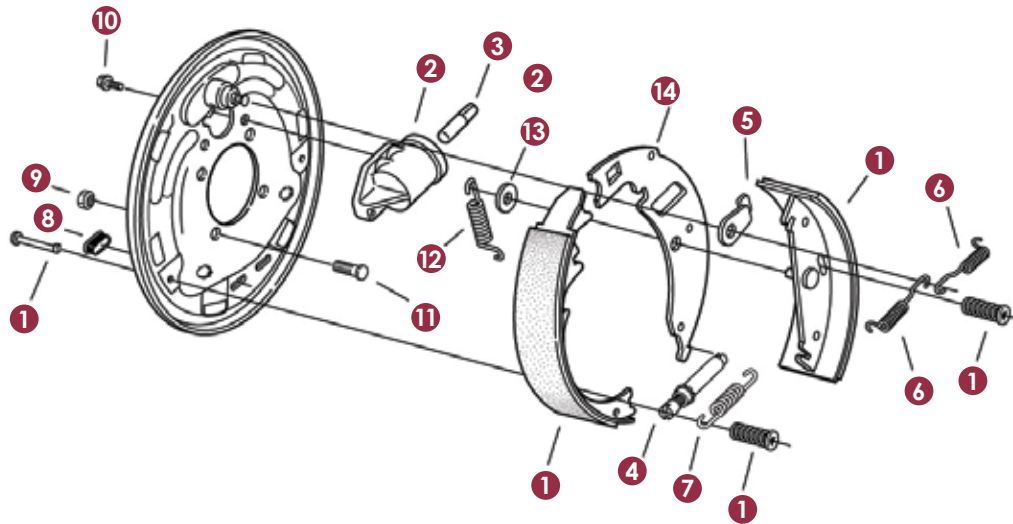
2-1

2-2

\* Quantity per brake. \*\* Item Sold Separately.



# 3,500 LBS. • 10" X 2 1/4" UNI-SERVO HYDRAULIC FREEBACKING BRAKE ASSEMBLY =



- Uni-Servo brakes to be used with surge actuator
- This brake is rated to a maximum capacity of 3,500 lbs. / pair
- Sprung CSA Approved at 3,500#/14.0 SLR; Uni-Servo



1-1



1-2



2-1

2-2

REF NO.	ITEM NO.	ID NO.	QTY.*	DESCRIPTION
1	6450265	K71-393-00	1	SHOE & LINING KIT COMPLETE
1-1	6400064	023-344-00	1	UNI-SERVO LH COMPLETE BRAKE ASSEMBLY
1-2	6400065	023-345-00	1	UNI-SERVO RH COMPLETE BRAKE ASSEMBLY
2-1	6450250	054-064-00	1	UNI-SERVO LH BRAKE CYLINDER
2-2	6450251	054-065-00	1	UNI-SERVO RH BRAKE CYLINDER
3	6450256	054-060-00	1	CYLINDER PUSH ROD US (1)
4	6450007	043-004-00	1	ADJUSTER ASSEMBLY
5	-	037-069-02	1	TRAVEL LINK
6	6450228	046-009-00	2	RETRACTOR SPRING
7	6450225	046-083-00	1	ADJUSTING SCREW SPRING
8	6450038	046-007-00	1	ADJUSTER SLOT PLUG
9**	6450181	006-017-00	4	BRAKE MOUNTING NUT
10	6451005	087-001-00	2	SEMS (SCREW & WASHER ASSEMBLY)
11	6450241	007-041-00	4	BRAKE MOUNTING BOLT- PRESS IN
12	6451007	046-108-01	1	PRIMARY SHOE RETURN
13	-	005-064-00	1	WASHER
14	-	040-240-02	1	SHOE LEVER
14	6450190	069-055-00	1	RETAINER
NS	-	054-089-00	1	BLEEDER SCREW (INCLUDED WITH ITEM 2)
NS**	6451006	071-514-00	1	PARK BRAKE CABLE

\* Quantity per brake. \*\* Item Sold Separately.



# 3,500 LBS. • 10" X 2 1/4" HYDRAULIC FREEBACKING MARINE BRAKE ASSEMBLY =



**Demco Freebacking Brakes** incorporate a "Fall-Away" shoe which diminishes shoe drag when backing. The galvanized backing plate, stainless steel spring hardware, plated wheel cylinder and riveted marine brake shoe make this brake assembly highly durable. **Requires periodic manual adjustment.**



1-1



1-2



2

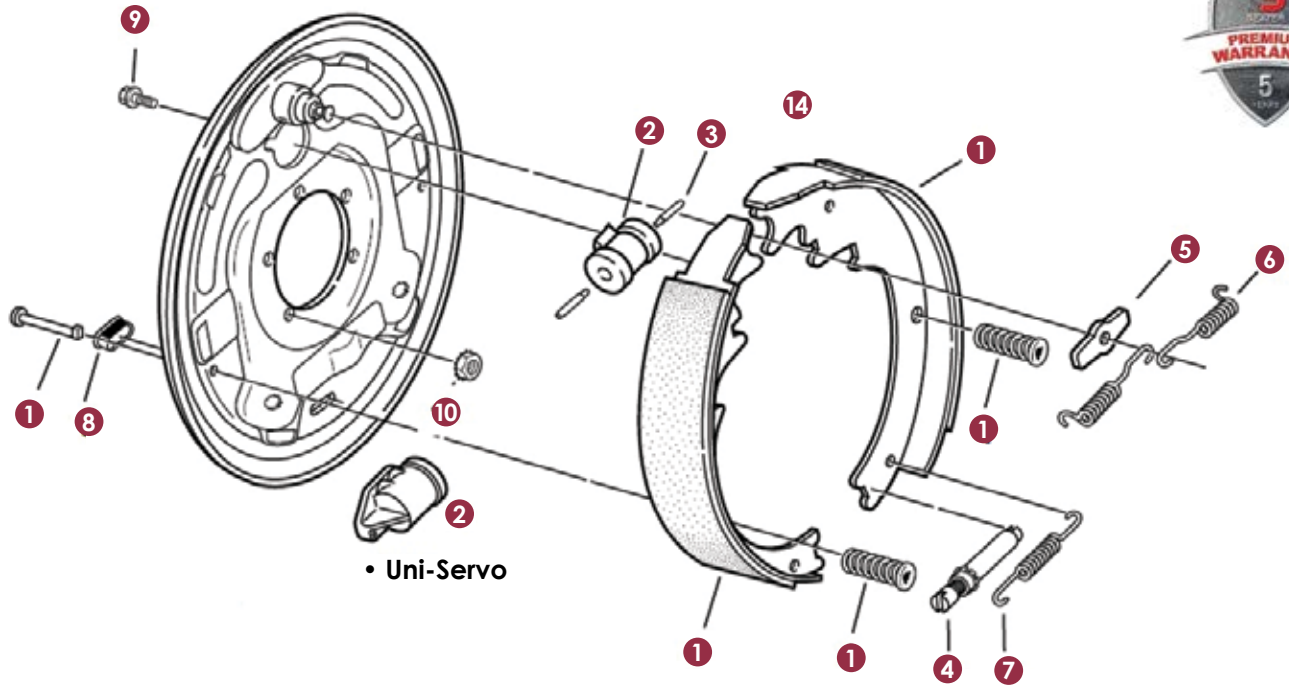
- Demco Marine Brake has galvanized back plate, stainless steel spring hardware, plated wheel cylinder and riveted marine brake shoe.
- 4 on 4.00" Bolt Hole Pattern
- 13" - 15" Wheel Size

REF NO.	ITEM NO.	ID NO.	QTY*	DESCRIPTION
1-1	6400028	SB40716M	1	LH COMPLETE BRAKE ASSEMBLY
1-2	6400029	SB40715M	1	RH COMPLETE BRAKE ASSEMBLY
2	6450394	SB9777M	1	LH WHEEL CYLINDER ASSEMBLY
2	6450393	SB9776M	1	RH WHEEL CYLINDER ASSEMBLY

\* Quantity per brake.



# 6,000 LBS. • 12" X 2" UNI-SERVO HYDRAULIC BRAKE ASSEMBLY



• Uni-Servo

- Uni-Servo brakes to be used with surge actuator
- This brake is rated to a maximum capacity of 6,000 lbs. / pair



1-1



1-2



2-1

2-2



2-3

2-4

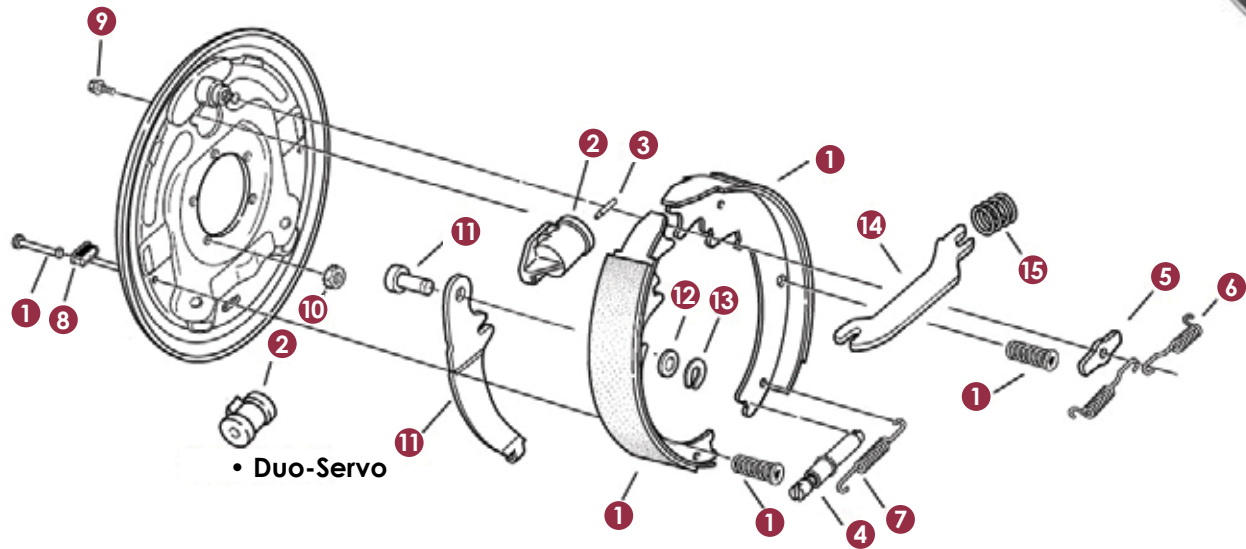
REF NO.	ITEM NO.	ID NO.	QTY.*	DESCRIPTION
1	6450052	K71-268-00	1	SHOE & LINING KIT COMPLETE
1-1	6400046	023-324-00	1	UNI-SERVO LH COMPLETE BRAKE ASSEMBLY
1-2	6400047	023-325-00	1	UNI-SERVO RH COMPLETE BRAKE ASSEMBLY
1-3	6400068	023-322-00	1	DUO-SERVO LH COMPLETE BRAKE ASSEMBLY
1-4	6400097	023-323-00	1	DUO-SERVO RH COMPLETE BRAKE ASSEMBLY
2-1	6450250	054-064-00	1	UNI-SERVO LH BRAKE CYLINDER
2-2	6450251	054-065-00	1	UNI-SERVO RH BRAKE CYLINDER
2-3	6450107	054-062-00	1	DUO-SERVO LH BRAKE CYLINDER
2-4	6450108	054-063-00	1	DUO-SERVO RH BRAKE CYLINDER
3	6450256	054-060-00	1 OR 2	CYLINDER PUSH ROD US (1) DS (2)
4	6450386	043-029-00	1	ADJUSTER ASSEMBLY
5	6451004	005-113-00	1	ANCHOR POST WASHER
6	6450249	046-101-00	2	RETRACTOR SPRING
7	6450229	046-102-00	1	ADJUSTING SCREW SPRING
8	6450038	046-007-00	1	ADJUSTER SLOT PLUG
9**	6451005	087-001-00	2	SEMS (SCREW & WASHER ASSEMBLY)
10	6450308	006-193-00	5	NUT WASHER ASSEMBLY
NS	-	-	1	BLEEDER SCREW (INCLUDED WITH ITEM 2)

\* Quantity per brake. \*\* Item Sold Separately.



HYDRAULIC BRAKE ASSEMBLIES

# 6,000 LBS. • 12" X 2" UNI-SERVO HYDRAULIC PARK BRAKE ASSEMBLY =



- Uni-Servo brakes to be used with surge actuator
- This brake is rated to a maximum capacity of 6,000 lbs. / pair

REF NO.	ITEM NO.	ID NO.	QTY.*	DESCRIPTION
1	6450052	K71-268-00	1	SHOE & LINING KIT COMPLETE
1-1	6400109	023-320-00	1	UNI-SERVO LH COMPLETE BRAKE ASSEMBLY
1-2	6400108	023-321-00	1	UNI-SERVO RH COMPLETE BRAKE ASSEMBLY
1-3	6400163	K23-318-00	1	DUO-SERVO LH COMPLETE BRAKE ASSEMBLY
1-4	6400171	K23-319-00	1	DUO-SERVO RH COMPLETE BRAKE ASSEMBLY
2-1	6450250	054-064-00	1	UNI-SERVO LH BRAKE CYLINDER
2-2	6450251	054-065-00	1	UNI-SERVO RH BRAKE CYLINDER
2-3	6450107	054-062-00	1	DUO-SERVO LH BRAKE CYLINDER
2-4	6450108	054-063-00	1	DUO-SERVO RH BRAKE CYLINDER
3	6450256	054-060-00	1 OR 2	CYLINDER PUSH ROD US (1) DS (2)
4	6450386	043-029-00	1	ADJUSTER ASSEMBLY
5	6451004	005-113-00	1	ANCHOR POST WASHER
6	6450249	046-101-00	2	RETRACTOR SPRING
7	6450229	046-102-00	1	ADJUSTING SCREW SPRING
8	6450038	046-007-00	1	ADJUSTER SLOT PLUG
9**	6451005	087-001-00	2	SEMS (SCREW & WASHER ASSEMBLY)
10	6450308	006-193-00	5	NUT WASHER ASSEMBLY
NS	-	-	1	BLEEDER SCREW (INCLUDED WITH ITEM 2)
11	-	047-110-01	1	LH PARKING LEVER & PIN ASSEMBLY
11	-	047-111-01	1	RH PARKING LEVER & PIN ASSEMBLY
12	-	005-112-00	1	SPRING TENSION WASHER
13	6450190	069-055-00	1	RETAINER
NS	-	054-089-00	1	BLEEDER SCREW (INCLUDED WITH ITEM 2)
NS**	6450082	071-515-00	1	PARK BRAKE CABLE
14	-	047-109-00	1	PARKING STRUT
15	6450387	046-103-00	1	PARKING STRUT SPRING



1-1



1-2



2-1

2-2



2-3

2-4



HYDRAULIC BRAKE ASSEMBLIES

\* Quantity per brake. \*\* Item Sold Separately.

# 7,000 LBS. • 12" X 2" HYDRAULIC FREEBACKING MARINE BRAKE ASSEMBLY =



**Demco Freebacking Brakes** incorporate a "Fall-Away" shoe which diminishes shoe drag when backing. The galvanized backing plate, stainless steel spring hardware, plated wheel cylinder and riveted marine brake shoe make this brake assembly highly durable. **Requires periodic manual adjustment.**

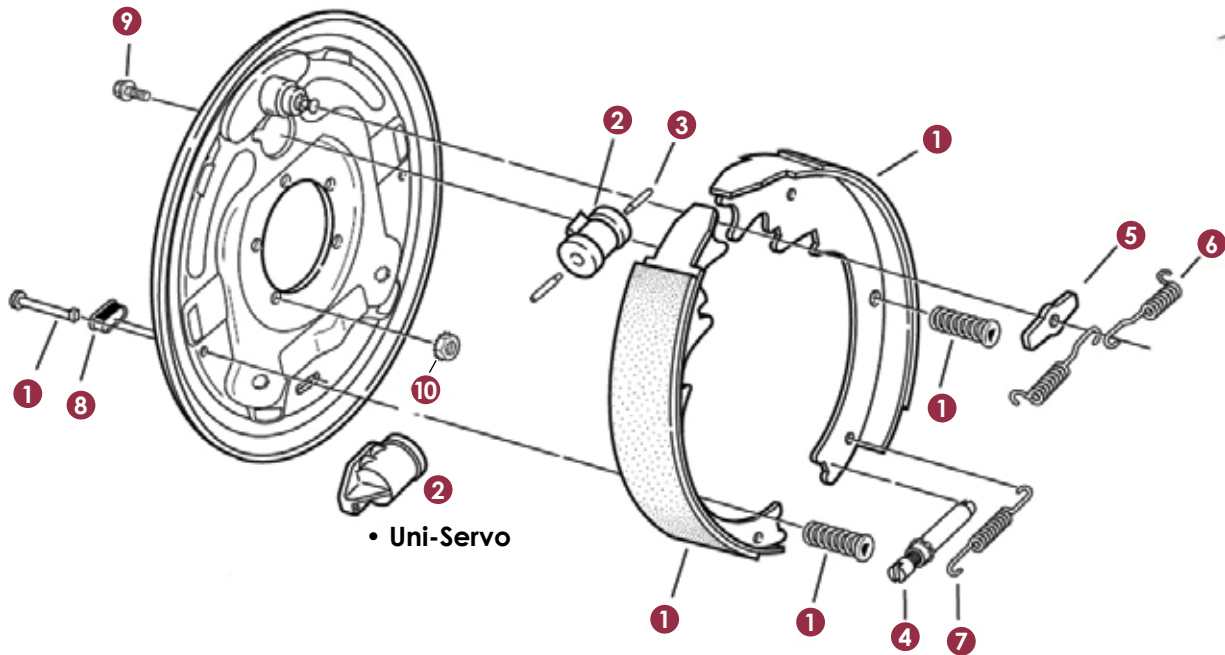


- Demco Marine Brake has galvanized back plate, stainless steel spring hardware, plated wheel cylinder and riveted marine brake shoe.
- 5 on 3.875" Bolt Hole Pattern
- 14.5" - 16" Wheel Size

REF NO.	ITEM NO.	ID NO.	QTY.*	DESCRIPTION
1-1	6400086	SB42029M	1	LH COMPLETE BRAKE ASSEMBLY
1-2	6400085	SB42028M	1	RH COMPLETE BRAKE ASSEMBLY
2	6450394	SB9777M	1	LH WHEEL CYLINDER ASSEMBLY
2	6450393	SB9776M	1	RH WHEEL CYLINDER ASSEMBLY

\* Quantity per brake.

# 7,000 LBS. • 12" X 2" UNI-SERVO HYDRAULIC BRAKE ASSEMBLY =



• Uni-Servo

- Uni-Servo brakes to be used with surge actuator
- This brake is rated to a maximum capacity of 7,000 lbs. / pair

REF NO.	ITEM NO.	ID NO.	QTY.*	DESCRIPTION
1	6450071	K71-269-00	1	LH SHOE & LINING KIT COMPLETE
1	6450070	K71-270-00	1	RH SHOE & LINING KIT COMPLETE
1-1	6400066	023-338-00	1	UNI-SERVO LH COMPLETE BRAKE ASSEMBLY
1-2	6400067	023-339-00	1	UNI-SERVO RH COMPLETE BRAKE ASSEMBLY
1-3	6400071	023-336-00	1	DUO-SERVO LH COMPLETE BRAKE ASSEMBLY
1-4	6400072	023-337-00	1	DUO-SERVO RH COMPLETE BRAKE ASSEMBLY
2-1	6450250	054-064-00	1	UNI-SERVO LH BRAKE CYLINDER
2-2	6450251	054-065-00	1	UNI-SERVO RH BRAKE CYLINDER
2-3	6450107	054-062-00	1	DUO-SERVO LH BRAKE CYLINDER
2-4	6450108	054-063-00	1	DUO-SERVO RH BRAKE CYLINDER
3	6450256	054-060-00	1 OR 2	CYLINDER PUSH ROD US (1) DS (2)
4	6450386	043-029-00	1	ADJUSTER ASSEMBLY
5	6451004	005-113-00	1	ANCHOR POST WASHER
6	6450249	046-101-00	2	RETRACTOR SPRING
7	6450229	046-102-00	1	ADJUSTING SCREW SPRING
8	6450038	046-007-00	1	ADJUSTER SLOT PLUG
9**	6451005	087-001-00	2	SEMS (SCREW & WASHER ASSEMBLY)
10	6450308	006-193-00	5	NUT WASHER ASSEMBLY
NS	-	-	1	BLEEDER SCREW (INCLUDED WITH ITEM 2)

\* Quantity per brake. \*\* Item Sold Separately.



1-1



1-2



2-1



2-2



2-3



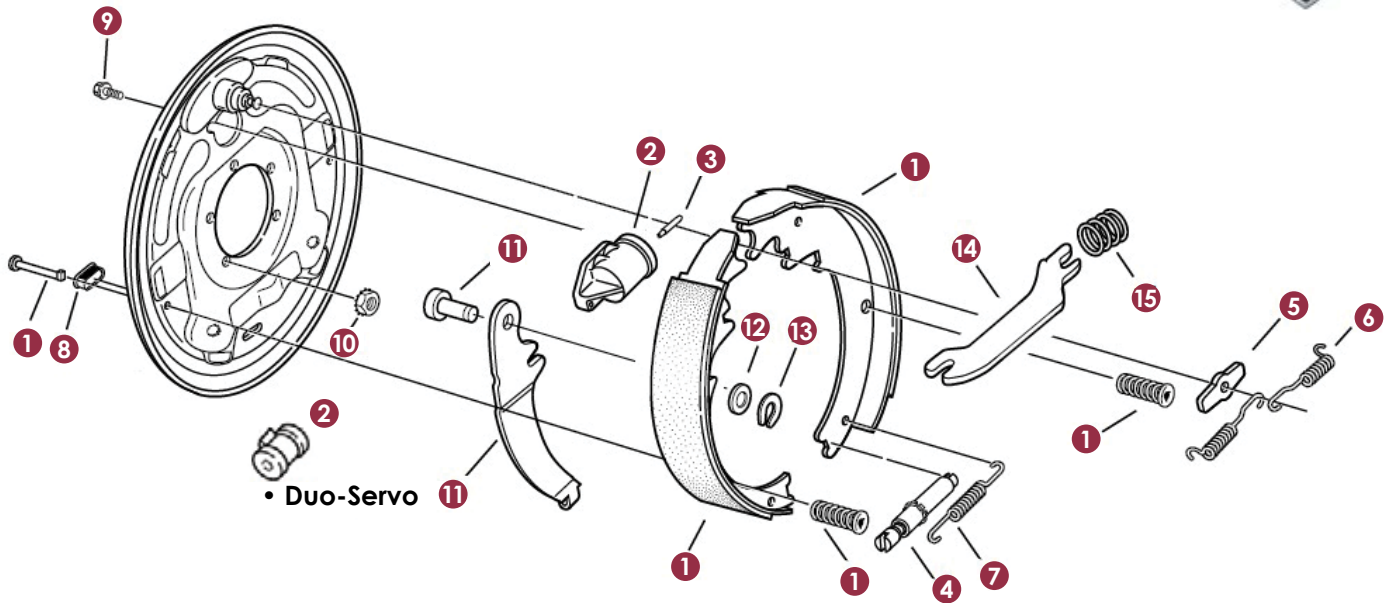
2-4

HYDRAULIC BRAKE ASSEMBLIES





# 7,000 LBS. • 12" X 2" UNI-SERVO HYDRAULIC PARK BRAKE ASSEMBLY =



- Uni-Servo brakes to be used with surge actuator
- This brake is rated to a maximum capacity of 7,000 lbs. / pair



1-1



1-2



2-1

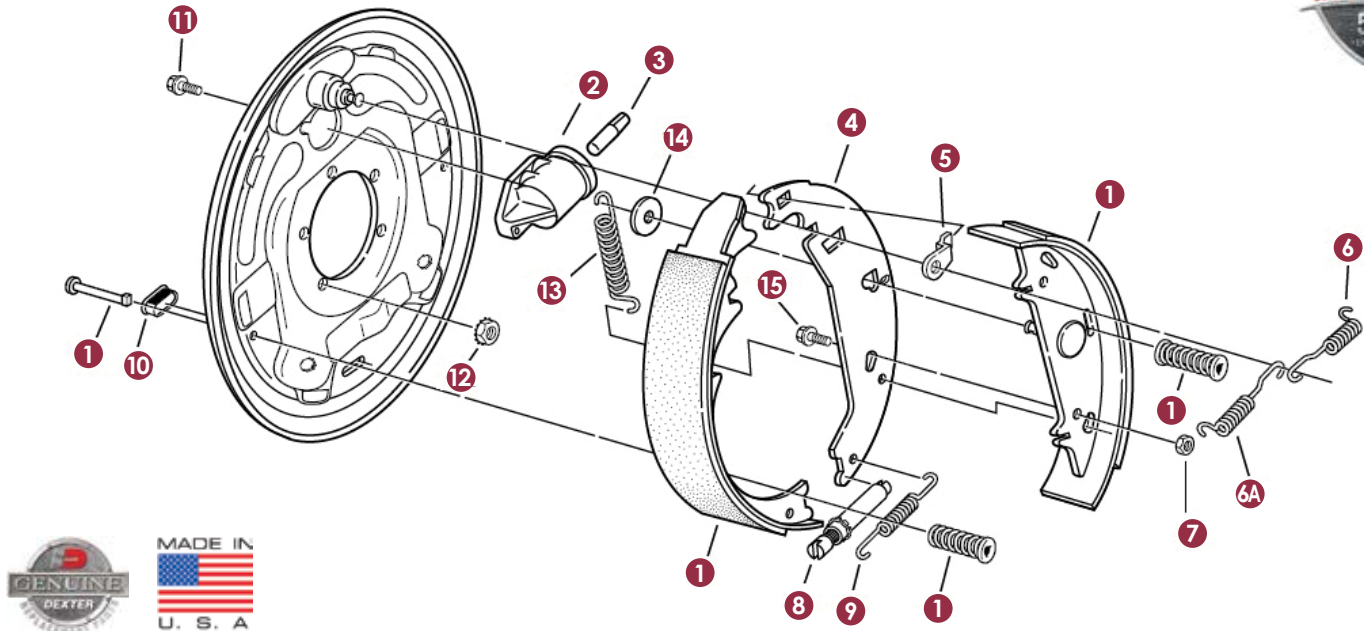
2-2

REF NO.	ITEM NO.	ID NO.	QTY.*	DESCRIPTION
1	6450071	K71-269-00	1	LH SHOE & LINING KIT COMPLETE
1	6450070	K71-270-00	1	RH SHOE & LINING KIT COMPLETE
1-1	6400069	023-334-00	1	UNI-SERVO LH COMPLETE BRAKE ASSEMBLY
1-2	6400070	023-335-00	1	UNI-SERVO RH COMPLETE BRAKE ASSEMBLY
2-1	6450250	054-064-00	1	UNI-SERVO LH BRAKE CYLINDER
2-2	6450251	054-065-00	1	UNI-SERVO RH BRAKE CYLINDER
3	6450256	054-060-00	1	CYLINDER PUSH ROD US (1)
4	6450386	043-029-00	1	ADJUSTER ASSEMBLY
5	6451004	005-113-00	1	ANCHOR POST WASHER
6	6450249	046-101-00	2	RETRACTOR SPRING
7	6450229	046-102-00	1	ADJUSTING SCREW SPRING
8	6450038	046-007-00	1	ADJUSTER SLOT PLUG
9**	6451005	087-001-00	2	SEMS (SCREW & WASHER ASSEMBLY)
10	6450308	006-193-00	5	NUT WASHER ASSEMBLY
NS	-	-	1	BLEEDER SCREW (INCLUDED WITH ITEM 2)
11	-	047-110-01	1	LH PARKING LEVER & PIN ASSEMBLY
11	-	047-111-01	1	RH PARKING LEVER & PIN ASSEMBLY
12	-	005-112-00	1	SPRING TENSION WASHER
13	6450190	069-055-00	1	RETAINER
NS	-	054-089-00	1	BLEEDER SCREW (INCLUDED WITH ITEM 2)
NS**	6450082	071-515-00	1	PARK BRAKE CABLE
14	-	047-109-00	1	PARKING STRUT
15	6450387	046-103-00	1	PARKING STRUT SPRING

\* Quantity per brake. \*\* Item Sold Separately.



# 7,000 LBS. • 12" X 2" HYDRAULIC FREEBACKING BRAKE ASSEMBLY



- Uni-Servo brakes to be used with surge actuator
- This brake is rated to a maximum capacity of 7,000 lbs. / pair

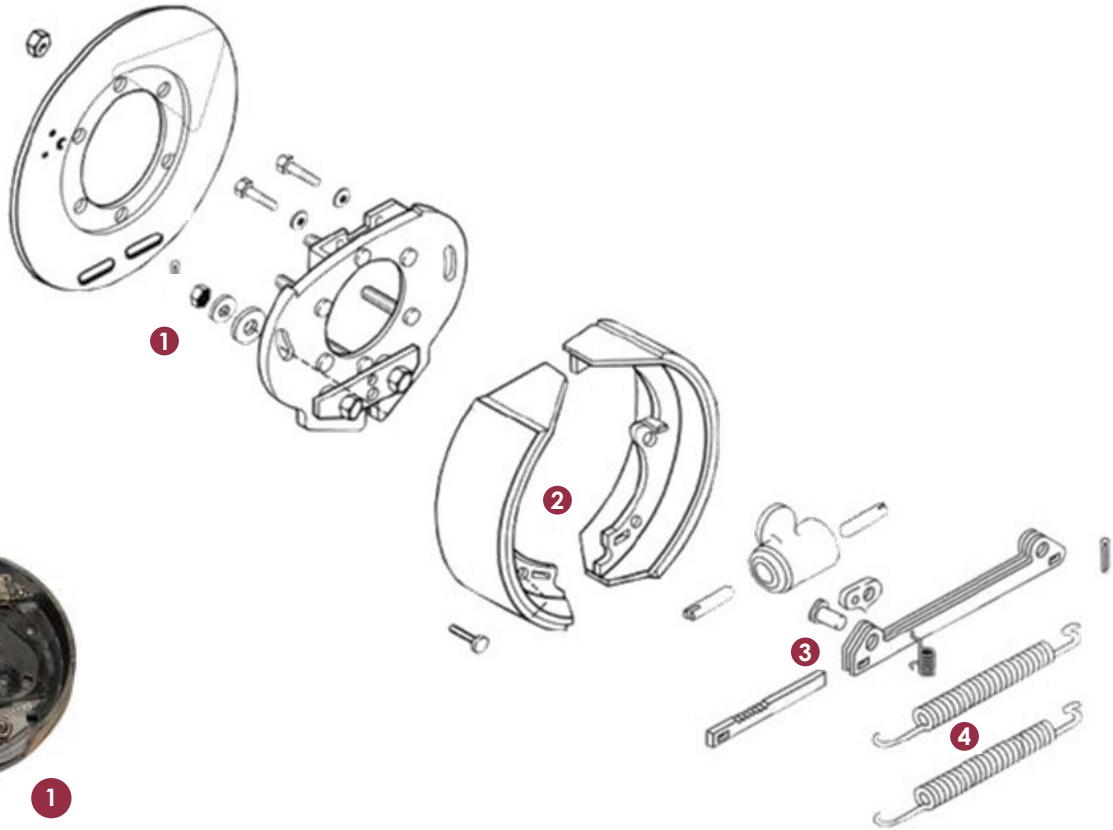
HYDRAULIC FREEBACKING BRAKE					MARINE	
					CORROSION RESISTANT HYDRAULIC FREEBACKING BRAKE	
REF NO.	ITEM NO.	ID NO.	QTY.*	DESCRIPTION	ITEM NO.	ID NO.
1	6450053	K71-394-00	1	LH SHOE & LINING KIT COMPLETE	-	K71-427-00
1	6450083	K71-395-00	1	RH SHOE & LINING KIT COMPLETE	-	K71-428-00
1-1	6400008	023-342-00	1	UNI-SERVO LH COMPLETE BRAKE ASSEMBLY	-	023-342-01
1-2	6400009	023-343-00	1	UNI-SERVO RH COMPLETE BRAKE ASSEMBLY	-	023-343-01
2-1	6450250	054-064-00	1	UNI-SERVO LH BRAKE CYLINDER	6450250-02	054-064-01
2-2	6450251	054-065-00	1	UNI-SERVO RH BRAKE CYLINDER	6450251-02	054-065-01
3	6450256	054-060-00	1	CYLINDER PUSH ROD US (1)	6450256	054-060-00
4	-	040-244-01	1	SHOE LEVER	-	040-244-02
5	-	037-069-02	1	TRAVEL LINK	-	037-069-02
6	-	046-107-01	1	SHOE LEVER RETURN SPRING	-	046-107-03
6A	6450249	046-101-00	1	RETRACTOR SPRING	6450249	046-101-00
7	9000143	006-011-00	1	LOCKNUT	9000143	006-011-00
8	-	043-028-00	1	ADJUSTER ASSEMBLY	-	043-028-00
9	6450286	046-123-00	1	ADJUSTING SCREW SPRING	6450286	046-123-00
10	6450038	046-007-00	1	ADJUSTER SLOT PLUG	6450038	046-007-00
11	6451005	087-001-00	2	SEMS (SCREW & WASHER ASSEMBLY)	6451005	087-001-00
12**	6450308	006-193-00	5	NUT WASHER ASSEMBLY	6450308	006-193-00
13	6451007	046-108-01	1	PRIMARY SHOE RETURN	-	046-108-03
14	-	005-064-00	1	WASHER	-	005-064-00
15	-	007-210-00	1	SCREW	-	007-210-00
NS	-	054-089-00	1	BLEEDER SCREW (INCLUDED WITH ITEM 2)	-	054-089-00

\* Quantity per brake. \*\* Item Sold Separately.

HYDRAULIC BRAKE ASSEMBLIES

# 8,000 LBS. • 12" X 3 3/8" DUO-SERVO HYDRAULIC BRAKE ASSEMBLY

**2** YEAR  
WARRANTY



1



2



3

• Shown Assembled

REF NO.	ITEM NO.	ID NO.	QTY.*	DESCRIPTION
1	6400080	568004	1	LH OR RH COMPLETE BRAKE ASSY.
2	6450058	K363925	1	LH OR RH SHOE & LINING KIT
3	6450492	568259	1	SELF-ADJUSTER ASSEMBLY CONSISTING OF:
			1	RACK
			1	CLEVIS PIN 3/8" X 3/4"
			1	PAWL
			1	SPRING-PAWL
			1	SLEEVE ASSEMBLY
			1	COTTER PIN 5/32" X 3/4"
4	6450295	568226	2	SHOE RETRACTING SPRING

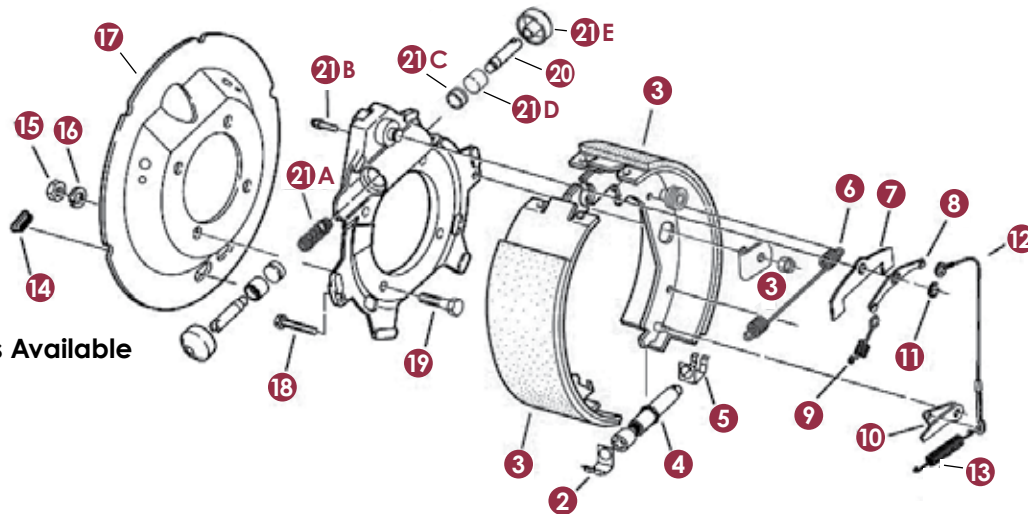
\* Quantity per brake.

**AL-KO**  
GENUINE PARTS  
By DEXTER



HYDRAULIC BRAKE ASSEMBLIES

# 8,000 LBS. • 12 1/4" X 3 3/8" FORWARD SELF-ADJUSTING HYDRAULIC BRAKE ASSEMBLY =



• ABS Parts Available

• This brake is rated to a maximum capacity of 8,000 lbs. / pair

REF NO.	ITEM NO.	ID NO.	QTY.*	DESCRIPTION
1-1	6400041	023-402-00	1	DUO-SERVO LH COMPLETE BRAKE ASSY.
1-2	6400042	023-403-00	1	DUO-SERVO RH COMPLETE BRAKE ASSY.
2	6450100	046-132-00	1	ADJUSTER CLIP (THREAD END)
3	6450081	K71-165-00	1	LH SHOE & LINING KIT COMPLETE
3	6450080	K71-166-00	1	RH SHOE & LINING KIT COMPLETE
4	6450011	048-019-00	1	LH ADJUSTER ASSEMBLY
4	6450010	048-020-00	1	RH ADJUSTER ASSEMBLY
5	6450101	046-133-00	1	ADJUSTER CLIP (BARREL END)
6	6450219	046-087-00	1	RETRACTOR SPRING
7	6450260	034-062-00	1	PISTON STOP
8	6450280	071-456-00	1	CABLE ATTACHMENT BRACKET
9	6450291	046-131-01	1	EXTENSION SPRING
10	6450146	071-464-00	1	LH ADJUSTER LEVER
10	6450150	071-463-00	1	RH ADJUSTER LEVER
11	6450264	069-053-00	1	RETAINER
12	6450088	071-462-00	1	ADJUSTER CABLE
13	6450013	046-135-00	1	LH ADJUSTER SPRING
13	6450014	046-134-00	1	RH ADJUSTER SPRING
14**	6450038	046-007-00	2	ADJUSTER SLOT PLUG
15**	9000137	006-129-00	4	BRAKE MOUNTING NUT
16**	9000251	005-058-00	4	LOCK WASHER
17**	6450113	036-115-20	1	DUST SHIELD
18	6450203	007-113-00	2	SHOE HOLD DOWN SCREW
19**	6450019	007-097-00	4	BRAKE MOUNTING BOLT
20	6450259	054-033-00	2	CYLINDER PUSH ROD DS (2)
21	6450027	K71-080-00	1	WHEEL CYLINDER KIT 1.00" BORE CONTAINS:
21A	-	046-130-00	1	SPRING
21B	-	054-032-00	2	BOOT
21C	-	054-041-00	2	PISTON
21D	-	054-085-00	2	CUP
21E	-	054-035-00	1	BLEEDER SCREW



1-1



1-2



21

HYDRAULIC BRAKE ASSEMBLIES



\* Quantity per brake. \*\* Item Sold Separately.



# 9K-15K HEAVY DUTY FORWARD SELF-ADJUSTING HYDRAULIC BRAKES

Anchor post of high strength steel to accept high torques of heavy duty brake service.

Spider Assembly is high strength ductile iron with integral cast hydraulic cylinder. Designed for long life under heavy duty braking conditions.

Retractor Spring assures uniform return of both brake shoes after stop.

Dust Shield (not shown) protects brake from foreign material, thus allowing trouble-free operation.

Positive Brake Shoe Hold-Down for smooth brake shoe movement.

Brake Lining are truck type for improved stopping force and extended service life. Linings are bonded to brake shoes for more useable lining life.

Adjuster Link transmits braking forces between brake shoes. Length is adjusted during normal vehicle forward and reverse operation to maintain close brakes shoe-to-drum relation for maximum braking efficiency and service-free operation.

Adjuster Spring holds heel ends of brake shoes engaged with adjuster link.

Adjuster Pawl is cable actuated when brake is applied while vehicle is operating in forward or reverse.

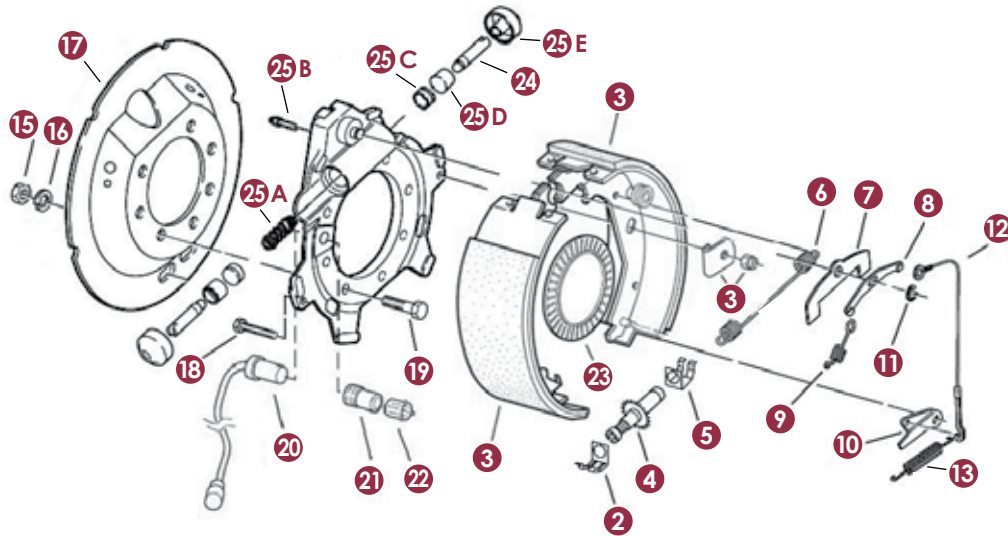
*NOTE: Hydraulic brakes equipped with parking feature adjust ONLY when the brake is applied while vehicle is operating in reverse.*



ITEM NO.	ID NO.	CAPACITY*	SIZE	DESCRIPTION	CAT PG.
6400014	023-410-00	9K, 10KGD, #13G	12-1/4" x 3-3/8"	LH COMPLETE BRAKE ASSEMBLY	B-41
6400015	023-411-00	9K, 10KGD, #13G	12-1/4" x 3-3/8"	RH COMPLETE BRAKE ASSEMBLY	B-41
6400020	023-404-00	10K, #13D	12-1/4" x 4"	LH COMPLETE BRAKE ASSEMBLY	B-43
6400021	023-405-00	10K, #13D	12-1/4" x 4"	RH COMPLETE BRAKE ASSEMBLY	B-43
6400088	023-408-00	12K, #14T	12-1/4" x 5"	LH COMPLETE BRAKE ASSEMBLY	B-44
6400089	023-409-00	12K, #14T	12-1/4" x 5"	RH COMPLETE BRAKE ASSEMBLY	B-44
6400090	023-406-00	15K	12-1/4" x 5"	LH COMPLETE BRAKE ASSEMBLY	B-45
6400091	023-407-00	15K	12-1/4" x 5"	RH COMPLETE BRAKE ASSEMBLY	B-45

HYDRAULIC BRAKE ASSEMBLIES

# 9K-10K LBS. GD • 12 1/4" X 3 3/8" FORWARD SELF-ADJUSTING HYDRAULIC BRAKE ASSEMBLY =



REF NO.	ITEM NO.	ID NO.	QTY.*	DESCRIPTION
1-1	6400014	023-410-00	1	DUO-SERVO LH COMPLETE BRAKE ASSY.
1-2	6400015	023-411-00	1	DUO-SERVO RH COMPLETE BRAKE ASSY.
2	6450100	046-132-00	1	ADJUSTER CLIP (THREAD END)
3	6450081	K71-165-00	1	LH SHOE & LINING KIT COMPLETE
3	6450080	K71-166-00	1	RH SHOE & LINING KIT COMPLETE
4	6450011	048-019-00	1	LH ADJUSTER ASSEMBLY
4	6450010	048-020-00	1	RH ADJUSTER ASSEMBLY
5	6450101	046-133-00	1	ADJUSTER CLIP (BARREL END)
6	6450219	046-087-00	1	RETRACTOR SPRING
7	6450260	034-062-00	1	PISTON STOP
8	6450280	071-456-00	1	CABLE ATTACHMENT BRACKET
9	6450291	046-131-01	1	EXTENSION SPRING
10	6450146	071-464-00	1	LH ADJUSTER LEVER
10	6450150	071-463-00	1	RH ADJUSTER LEVER
11	6450264	069-053-00	1	RETAINER
12	6450088	071-462-00	1	ADJUSTER CABLE
13	6450013	046-135-00	1	LH ADJUSTER SPRING
13	6450014	046-134-00	1	RH ADJUSTER SPRING
15**	6450181	006-017-00	7	BRAKE MOUNTING NUT
16**	9000251	005-058-00	7	LOCK WASHER
17**	6450118	036-115-21	1	DUST SHIELD
18	6450203	007-113-00	2	SHOE HOLD DOWN SCREW
19**	6450020	007-116-00	7	BRAKE MOUNTING BOLT
20+	6050079	097-004-00	1	ABS SENSOR STRAIGHT
21+	6050078	024-204-00	1	ABS SENSOR MOUNTING BLOCK
22+	6050055	097-002-00	1	ABS SENSOR RETAINING CLIP
23+	6050071	024-203-00	1	ABS TONE RING IN DRUM
24	6450259	054-033-00	2	CYLINDER PUSH ROD DS (2)
25	6450028	K71-081-00	1	WHEEL CYLINDER KIT 1.25" BORE CONTAINS:
25A	-	046-128-00	1	SPRING
25B	-	054-032-00	2	BOOT
25C	-	054-030-00	2	PISTON
25D	-	054-087-00	2	CUP
25E	-	054-035-00	1	BLEEDER SCREW



1-1



1-2



25

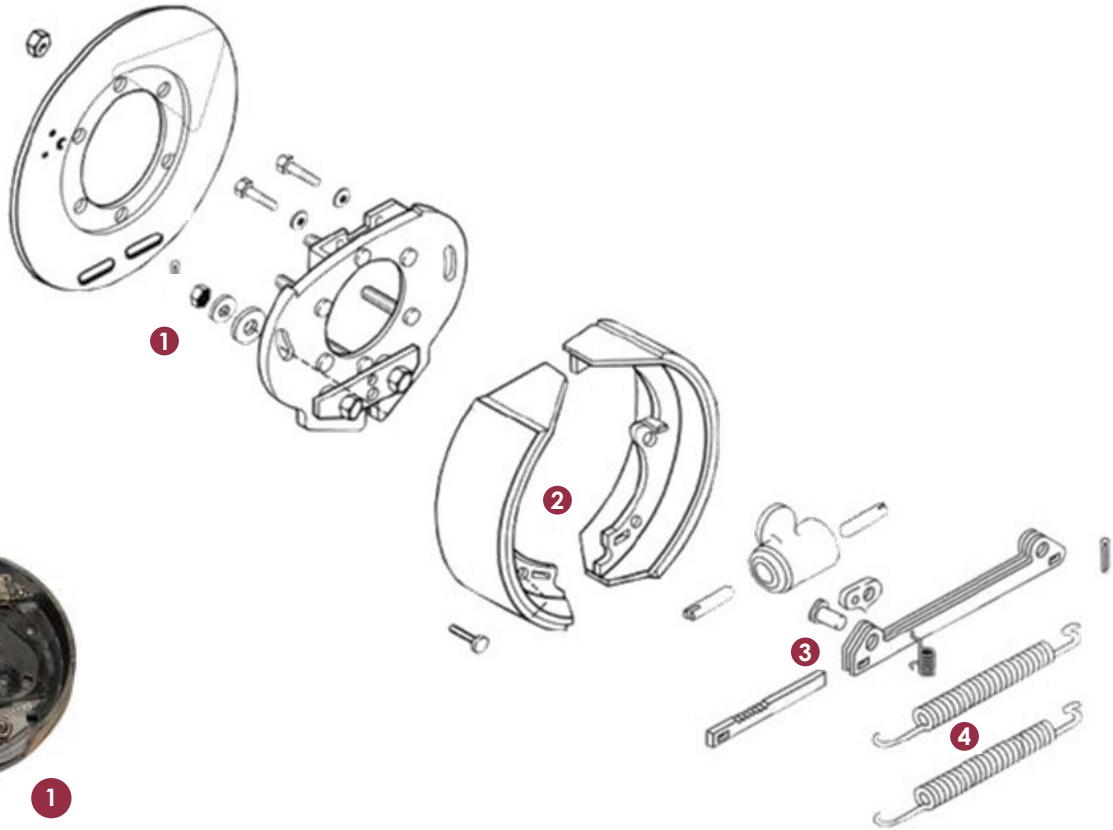
HYDRAULIC BRAKE ASSEMBLIES



\* Quantity per brake. \*\* Item Sold Separately. + ABS Option.

# 10K-12K LBS. • 12 1/4" X 3 1/2" DUO-SERVO HYDRAULIC BRAKE ASSEMBLY

**2** YEAR  
WARRANTY



1



2



3

• Shown Assembled

REF NO.	ITEM NO.	ID NO.	QTY.*	DESCRIPTION
1	6400195	K568213	1	LH OR RH COMPLETE BRAKE ASSY.
2	6450062	K568234	1	LH OR RH SHOE & LINING KIT
3	6450492	568259	1	SELF-ADJUSTER ASSEMBLY CONSISTING OF:
			1	RACK
			1	CLEVIS PIN 3/8" X 3/4"
			1	PAWL
			1	SPRING-PAWL
			1	SLEEVE ASSEMBLY
			1	COTTER PIN 5/32" X 3/4"
4	6450295	568226	2	SHOE RETRACTING SPRING

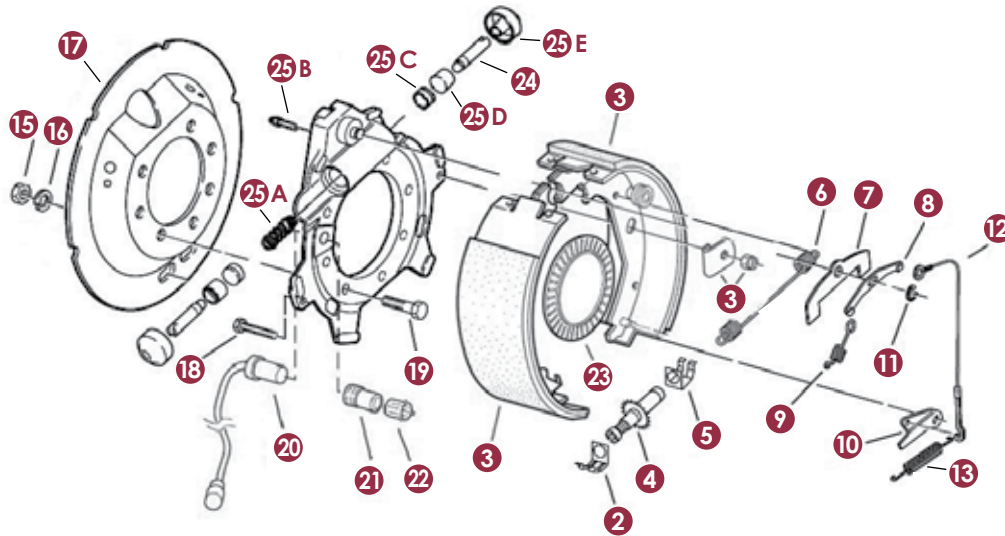
\* Quantity per brake.

**AL-KO**  
GENUINE PARTS  
By DEXTER



HYDRAULIC BRAKE ASSEMBLIES

# 10,000 LBS. • 12 ¼" X 4" FORWARD SELF-ADJUSTING HYDRAULIC BRAKE ASSEMBLY =



REF NO.	ITEM NO.	ID NO.	QTY.*	DESCRIPTION
1-1	6400020	023-404-00	1	DUO-SERVO LH COMPLETE BRAKE ASSY.
1-2	6400021	023-405-00	1	DUO-SERVO RH COMPLETE BRAKE ASSY.
2	6450100	046-132-00	1	ADJUSTER CLIP (THREAD END)
3	6450074	K71-167-00	1	LH SHOE & LINING KIT COMPLETE
3	6450073	K71-168-00	1	RH SHOE & LINING KIT COMPLETE
4	6450011	048-019-00	1	LH ADJUSTER ASSEMBLY
4	6450010	048-020-00	1	RH ADJUSTER ASSEMBLY
5	6450101	046-133-00	1	ADJUSTER CLIP (BARREL END)
6	6450219	046-087-00	1	RETRACTOR SPRING
7	6450260	034-062-00	1	PISTON STOP
8	6450280	071-456-00	1	CABLE ATTACHMENT BRACKET
9	6450291	046-131-01	1	EXTENSION SPRING
10	6450146	071-464-00	1	LH ADJUSTER LEVER
10	6450150	071-463-00	1	RH ADJUSTER LEVER
11	6450264	069-053-00	1	RETAINER
12	6450088	071-462-00	1	ADJUSTER CABLE
13	6450013	046-135-00	1	LH ADJUSTER SPRING
13	6450014	046-134-00	1	RH ADJUSTER SPRING
15**	6450181	006-017-00	7	BRAKE MOUNTING NUT
16**	9000251	005-058-00	7	LOCK WASHER
17**	6450269	036-115-22	1	DUST SHIELD
18	6450203	007-113-00	2	SHOE HOLD DOWN SCREW
19**	6450020	007-116-00	7	BRAKE MOUNTING BOLT
20+	6050079	097-004-00	1	ABS SENSOR STRAIGHT
21+	6050078	024-204-00	1	ABS SENSOR MOUNTING BLOCK
22+	6050055	097-002-00	1	ABS SENSOR RETAINING CLIP
23+	6050071	024-203-00	1	ABS TONE RING IN DRUM
24	6450259	054-033-00	2	CYLINDER PUSH ROD DS (2)
25	6450028	K71-081-00	1	WHEEL CYLINDER KIT 1.25" BORE CONTAINS:
25A	-	046-128-00	1	SPRING
25B	-	054-032-00	2	BOOT
25C	-	054-030-00	2	PISTON
25D	-	054-087-00	2	CUP
25E	-	054-035-00	1	BLEEDER SCREW



1-1



1-2



25

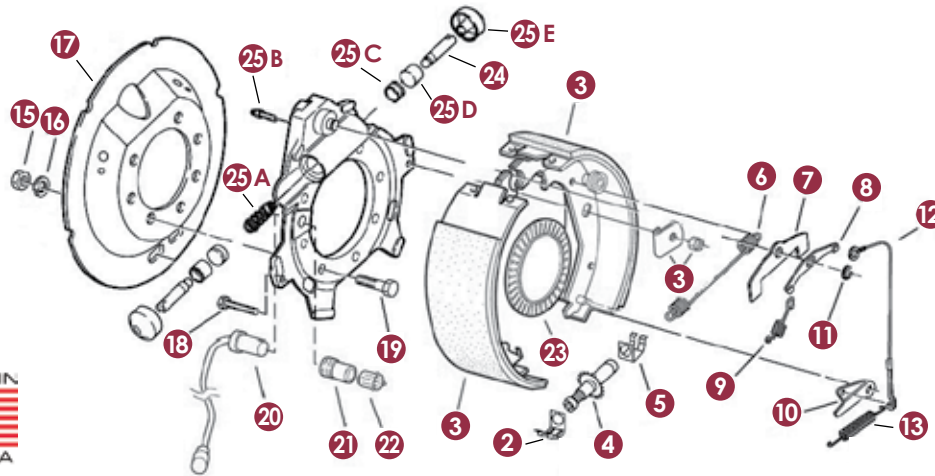
HYDRAULIC BRAKE ASSEMBLIES



\* Quantity per brake. \*\* Item Sold Separately. + ABS Option.



# 12K-15K LBS. • 12 ¼" X 5" FORWARD SELF-ADJUSTING HYDRAULIC BRAKE ASSEMBLY



REF NO.	12K Hydraulic Brake		15K Hydraulic Brake		QTY.*	DESCRIPTION
	ITEM NO.	ID NO.	ITEM NO.	ID NO.		
1-1	6400088	023-408-00	6400090	023-406-00	1	DUO-SERVO LH COMPLETE BRAKE ASSEMBLY
1-2	6400089	023-409-00	6400091	023-407-00	1	DUO-SERVO RH COMPLETE BRAKE ASSEMBLY
2	6450100	046-132-00	6450100	046-132-00	1	ADJUSTER CLIP (THREAD END)
3	6450077	K71-169-00	6450077	K71-169-00	1	LH SHOE & LINING KIT COMPLETE
3	6450076	K71-170-00	6450076	K71-170-00	1	RH SHOE & LINING KIT COMPLETE
4	6450011	048-019-00	6450011	048-019-00	1	LH ADJUSTER ASSEMBLY
4	6450010	048-020-00	6450010	048-020-00	1	RH ADJUSTER ASSEMBLY
5	6450101	046-133-00	6450101	046-133-00	1	ADJUSTER CLIP (BARREL END)
6	6450219	046-087-00	6450219	046-087-00	1	RETRACTOR SPRING
7	6450260	034-062-00	6450260	034-062-00	1	PISTON STOP
8	6450280	071-456-00	6450280	071-456-00	1	CABLE ATTACHMENT BRACKET
9	6450291	046-131-01	6450291	046-131-01	1	EXTENSION SPRING
10	6450146	071-464-00	6450146	071-464-00	1	LH ADJUSTER LEVER
10	6450150	071-463-00	6450150	071-463-00	1	RH ADJUSTER LEVER
11	6450264	069-053-00	6450264	069-053-00	1	RETAINER
12	6450088	071-462-00	6450088	071-462-00	1	ADJUSTER CABLE
13	6450013	046-135-00	6450013	046-135-00	1	LH ADJUSTER SPRING
13	6450014	046-134-00	6450014	046-134-00	1	RH ADJUSTER SPRING
15**	6450181	006-017-00	6450181	006-017-00	7	BRAKE MOUNTING NUT
16**	9000251	005-058-00	9000251	005-058-00	7	LOCK WASHER
17**	6450117	036-115-23	6450117	036-115-23	1	DUST SHIELD
18	6450203	007-113-00	6450203	007-113-00	2	SHOE HOLD DOWN SCREW
19**	6450020	007-116-00	6450020	007-116-00	7	BRAKE MOUNTING BOLT
20+	6050079	097-004-00	6050079	097-004-00	1	ABS SENSOR STRAIGHT
21+	6050078	024-204-00	6050078	024-204-00	1	ABS SENSOR MOUNTING BLOCK
22+	6050055	097-002-00	6050055	097-002-00	1	ABS SENSOR RETAINING CLIP
23+	6050071	024-203-00	6050071	024-203-00	1	ABS TONE RING IN DRUM
24	6450259	054-033-00	6450259	054-033-00	2	CYLINDER PUSH ROD DS (2)
25	6450028	K71-081-00	6450026	K71-082-00	1	WHEEL CYLINDER KIT CONTAINS:
25A	-	046-128-00	-	046-129-00	1	SPRING
25B	-	054-032-00	-	054-032-00	2	BOOT
25C	-	054-030-00	-	054-030-00	2	PISTON
25D	-	054-087-00	-	054-087-00	2	CUP
25E	-	054-035-00	-	054-035-00	1	BLEEDER SCREW

\* Quantity per brake. \*\* Item Sold Separately. + ABS Option.

# 3.5K-10K LBS. • HEAVY DUTY HYDRAULIC DISC BRAKES =



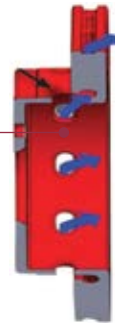
## EXPERIENCE THE DEEMAXX DIFFERENCE:

- **Exclusive MAXX COATING** on caliper passed *Salt Spray Test* per **ASTM-B-117-09** over 1008 hours with no RUST!
- **Exclusive** 120° Bleeder design means better bleeding, balanced system, and no more damaged bleeders!
- **Exclusive** Laser writing on caliper means instructions are always there!
- **Exclusive** Bolt design means no more mishandling or incorrect shipping of bolts!
- **Exclusive** Reverse Mount Slip On Rotor means cooler running, better plating, and no more premature corrosion!
- **LIMITED LIFETIME WARRANTY**
- Ceramic Brake Pads are slotted, chamfered, and have a Stainless Steel Clip!
- Equals better stopping, longer life and corrosion protection!
- Solid / Rigid Ductile Iron Casting eliminate flexing and give you more Brake Torque!
- Bracket design give you twice as many mounting options for your caliper position!
- Uses only ISO QUALITY Certified Factories!
- **PASSED THE SAE J2681 BRAKE TEST!**



Available in **MAXX COATING** or **STAINLESS STEEL** 3,500 lbs. to 10,000 lbs. General Duty. Available as a *Slip-On* or *Integral Kit*.

This unique rotor cross section design actively draws cooling air from the rotor interior.

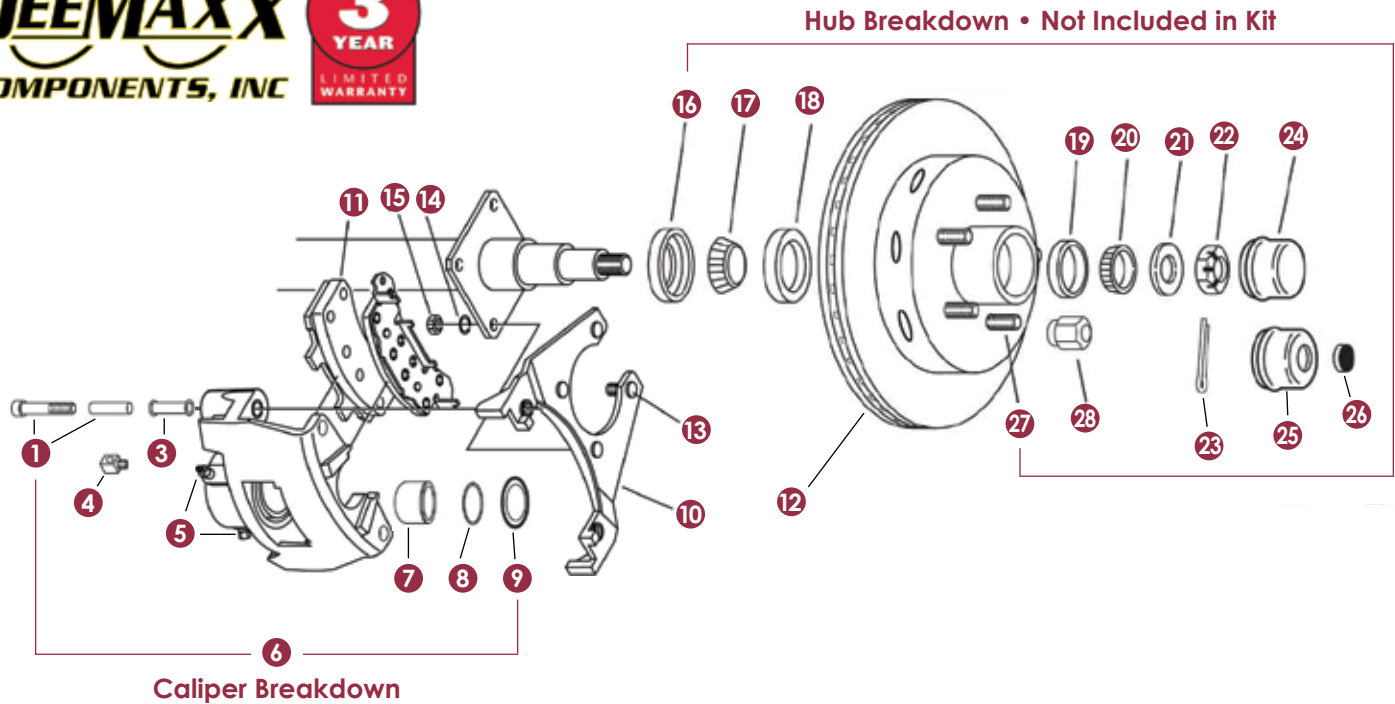


DEEMAXX Components Disc Brake Kits contain parts for one complete axle.

ITEM NO.	ID NO.	CAPACITY	SIZE	DESCRIPTION	CAT PG.
6450510	DBI-3.5K-MAXX	3.5K	10"	INTEGRAL DISC BRAKE KIT MAXX	B-46
6450511	DBI-3.5K-MAXX-SS	3.5K	10"	INTEGRAL DISC BRAKE KIT MAXX - SS CALIPER	B-46
6450503	DBSO-3.5K-MAXX	3.5K	10"	SLIP-ON DISC BRAKE KIT MAXX	B-47
6450504	DBSO-3.5K-MAXX-SS	3.5K	10"	SLIP-ON DISC BRAKE KIT MAXX - SS CALIPER	B-47
6450505	DBSO-3.5K-SS	3.5K	10"	SLIP-ON DISC BRAKE KIT STAINLESS STEEL	B-47
6450586	DBI-6K-MAXX	5.2-6K	12"	INTEGRAL DISC BRAKE KIT MAXX	B-48
6450587	DBI-6K-MAXX-SS	5.2-6K	12"	INTEGRAL DISC BRAKE KIT MAXX - SS CALIPER	B-48
6450579	DBSO-6K-MAXX	5.2-6K	12"	SLIP-ON DISC BRAKE KIT MAXX	B-49
6450580	DBSO-6K-MAXX-SS	5.2-6K	12"	SLIP-ON DISC BRAKE KIT MAXX - SS CALIPER	B-49
6450581	DBSO-6K-SS	5.2-6K	12"	SLIP-ON DISC BRAKE KIT STAINLESS STEEL	B-49
6450676	DBI-7K-MAXX	7K	13"	INTEGRAL DISC BRAKE KIT MAXX	B-50
6450677	DBI-7K-MAXX-SS	7K	13"	INTEGRAL DISC BRAKE KIT MAXX - SS CALIPER	B-50
6450681	DBI-7K9-MAXX	7K	13"	SLIP-ON DISC BRAKE KIT MAXX	B-51
6450657	DBSO-7K-MAXX	7K	13"	SLIP-ON DISC BRAKE KIT MAXX - SS CALIPER	B-51
6450658	DBSO-7K-MAXX-SS	7K	13"	SLIP-ON DISC BRAKE KIT STAINLESS STEEL	B-51
6450752	DBSO-8KD10-MAXX	8K 5/8" STUD	13"	SLIP-ON DISC BRAKE KIT MAXX	B-53
6450753	DBSO-8KD10-MAXX-SS	8K 5/8" STUD	13"	SLIP-ON DISC BRAKE KIT MAXX - SS CALIPER	B-53
6450755	DBSO-8KD10-SS	8K 5/8" STUD	13"	SLIP-ON DISC BRAKE KIT STAINLESS STEEL	B-53
6450745	DBSO-8KD9-MAXX	8K 9/16" STUD	13"	SLIP-ON DISC BRAKE KIT MAXX	B-53
6450747	DBSO-8KD9-MAXX-SS	8K 9/16" STUD	13"	SLIP-ON DISC BRAKE KIT MAXX - SS CALIPER	B-53
6450748	DBSO-8KD9-SS	8K 9/16" STUD	13"	SLIP-ON DISC BRAKE KIT STAINLESS STEEL	B-53
6450414*	DBSI-10K-MAXX	9K-10KGD	13"	INTEGRAL DISC BRAKE KIT MAXX	B-54

\* Designed specifically to work on 17.5" Dual Tandem applications only.

# 3,500 LBS. • 10" INTEGRAL DISC BRAKE ASSEMBLY =



- Replacement parts are compatible with other brands.
- Ask sales associate for details.

REF NO.	ITEM NO.	PER HUB	DESCRIPTION
1	6450408	2	STAINLESS STEEL GUIDE BOLT & STAINLESS STEEL SLEEVE
3	6450446	2	RUBBER BUSHING FOR GUIDE BOLT
4	6450552	2	ADAPTER PORT - 90 DEGREE
5	6450413	2	BLEED PORT
<b>CALIPER INCLUDES ITEMS 1-9</b>			
6	6450528	1	CALIPER MAXX
	6450529	1	CALIPER STAINLESS STEEL
7	6450548	1	STAINLESS STEEL PISTON
8	6450550	1	PISTON RUBBER SEAL
9	6450551	1	RUBBER DUST BOOT
10	6450410	1	CALIPER MOUNTING BRACKET MAXX
	6450535	1	CALIPER MOUNTING BRACKET SS
11	6450620	1	BRAKE PADS (SEMI-METALLIC)
	6450392	1	BRAKE PADS (CERAMIC)
12	6450525	1	545 10" HUB/ROTOR MAXX
13*	6450240	1	BRAKE MOUNTING BOLT - 3/8"-24
14*	7030112	1	LOCK WASHER - ZINC
15*	6450182	1	NUT - ZINC
16	7700085	1	SEAL 10-19

\* Not included with complete kit. Item sold separately.

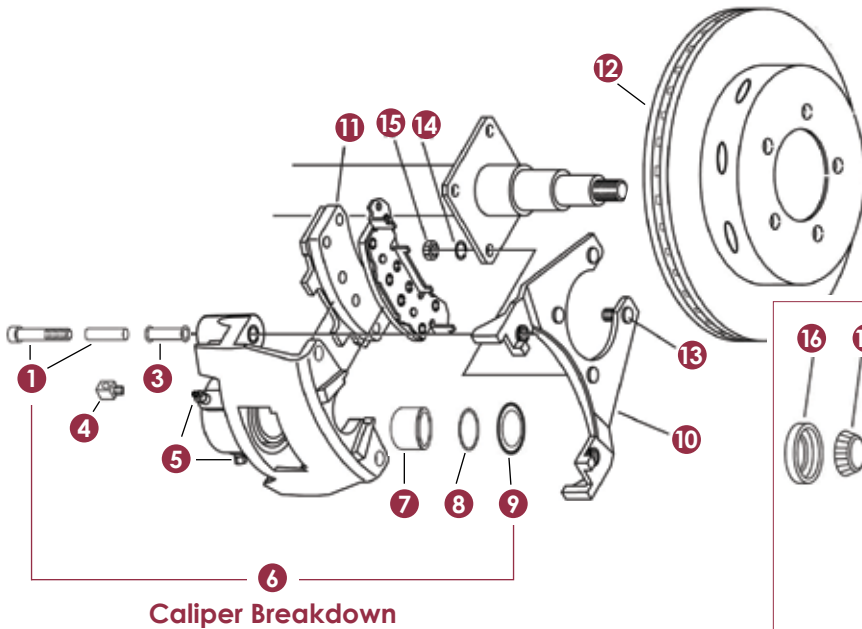
REF NO.	ITEM NO.	PER HUB	DESCRIPTION
17	7800006	1	INNER BEARING L68149
18	7800041	1	INNER RACE L68111
19	7800046	1	OUTER RACE L44610
20	7800010	1	OUTER BEARING L44649
21	**	1	SPINDLE WASHER
22	8750005	1	SPINDLE NUT
23	8750003	1	COTTER PIN
24	7700024	1	GREASE CAP
25	7700025	1	EZLUBE GREASE CAP
26	7700053	1	RUBBER PLUG FOR EXLUBE GREASE CAP
27	7700094	5	1/2" WHEEL STUD FOR GALVANIZED HUB LB 2.0
	7700159	5	1/2" WHEEL STUD FOR GAL-DEX DEXTER HUB 7-150
28	7700045	5	LUG NUT 1/2"
	7700044	5	CHROME LUG NUT 1/2"
	7700202	5	CHROME LUG NUT 1/2" LONG

#### DISC BRAKE KITS<sup>+</sup>

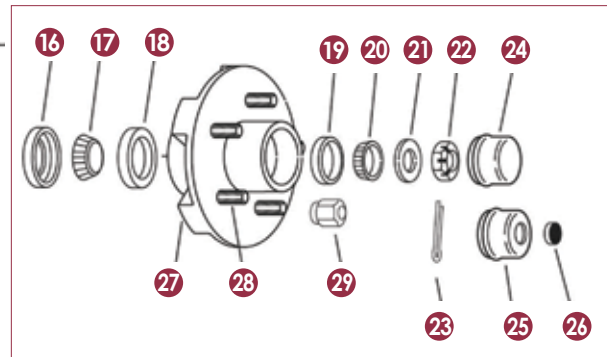
6450510	1	DISC BRAKE KIT, MAXX
6450511	1	DISC BRAKE KIT, MAXX - SS** CALIPER

\*\* See Section C-Hubs & Hubs-Drums for required spindle washer.  
 + Disc brake kits contain parts for ONE COMPLETE axle.  
 ++ Stainless Steel.

# 3,500 LBS. • 10" SLIP-ON DISC BRAKE ASSEMBLY =



**Caliper Breakdown**



**Hub Breakdown • Not Included in Kit**

- Replacement parts are compatible with other brands.
- Ask sales associate for details.

REF NO.	ITEM NO.	PER HUB	DESCRIPTION
1	6450408	2	STAINLESS STEEL GUIDE BOLT & STAINLESS STEEL SLEEVE
3	6450446	2	RUBBER BUSHING FOR GUIDE BOLT
4	6450552	2	ADAPTER PORT - 90 DEGREE
5	6450413	2	BLEED PORT
<b>CALIPER INCLUDES ITEMS 1-9</b>			
6	6450528	1	CALIPER MAXX
	6450529	1	CALIPER STAINLESS STEEL
7	6450548	1	STAINLESS STEEL PISTON
8	6450550	1	PISTON RUBBER SEAL
9	6450551	1	RUBBER DUST BOOT
10	6450411	1	CALIPER MOUNTING BRACKET MAXX
	6450535	1	CALIPER MOUNTING BRACKET SS
11	6450620	1	BRAKE PADS (SEMI-METALLIC)
	6450392	1	BRAKE PADS (CERAMIC)
12	6450520	1	545 10" ROTOR MAXX
	6450521	1	545 10" ROTOR STAINLESS STEEL
13*	6450240	1	BRAKE MOUNTING BOLT - 3/8"-24
14*	7030112	1	LOCK WASHER - ZINC
15*	6450182	1	NUT - ZINC
16	7700085	1	SEAL 10-19
17	7800006	1	INNER BEARING L68149
18	7800041	1	INNER RACE L68111

\* Not included with complete kit. Item sold separately.

REF NO.	ITEM NO.	PER HUB	DESCRIPTION
19	7800046	1	OUTER RACE L44610
20	7800010	1	OUTER BEARING L44649
21	**	1	SPINDLE WASHER
22	8750005	1	SPINDLE NUT
23	8750003	1	COTTER PIN
24	7700024	1	GREASE CAP
25	7700025	1	EZLUBE GREASE CAP
26	7700053	1	RUBBER PLUG FOR EXLUBE GREASE CAP
27	7650073-GV	1	HUB 2-1/2" STUDS 5 ON 4.5 GALVANIZED
	7650073-GC	1	HUB 2-1/2" STUDS 5 ON 4.5 GAL-DEX
28	7700094	5	1/2" WHEEL STUD FOR GALVANIZED HUB LB 2.0
	7700159	5	1/2" WHEEL STUD FOR GAL-DEX DEXTER HUB 7-150
29	7700045	5	LUG NUT 1/2"
	7700044	5	CHROME LUG NUT 1/2"
	7700202	5	CHROME LUG NUT 1/2" LONG
<b>DISC BRAKE KITS<sup>+</sup></b>			
	6450503	1	DISC BRAKE KIT, MAXX
	6450504	1	DISC BRAKE KIT, MAXX - SS <sup>++</sup> CALIPER
	6450505	1	DISC BRAKE KIT, MAXX - STAINLESS STEEL

\*\* See Section C-Hubs & Hubs-Drums for required spindle washer.

+ Disc brake kits contain parts for ONE COMPLETE axle.

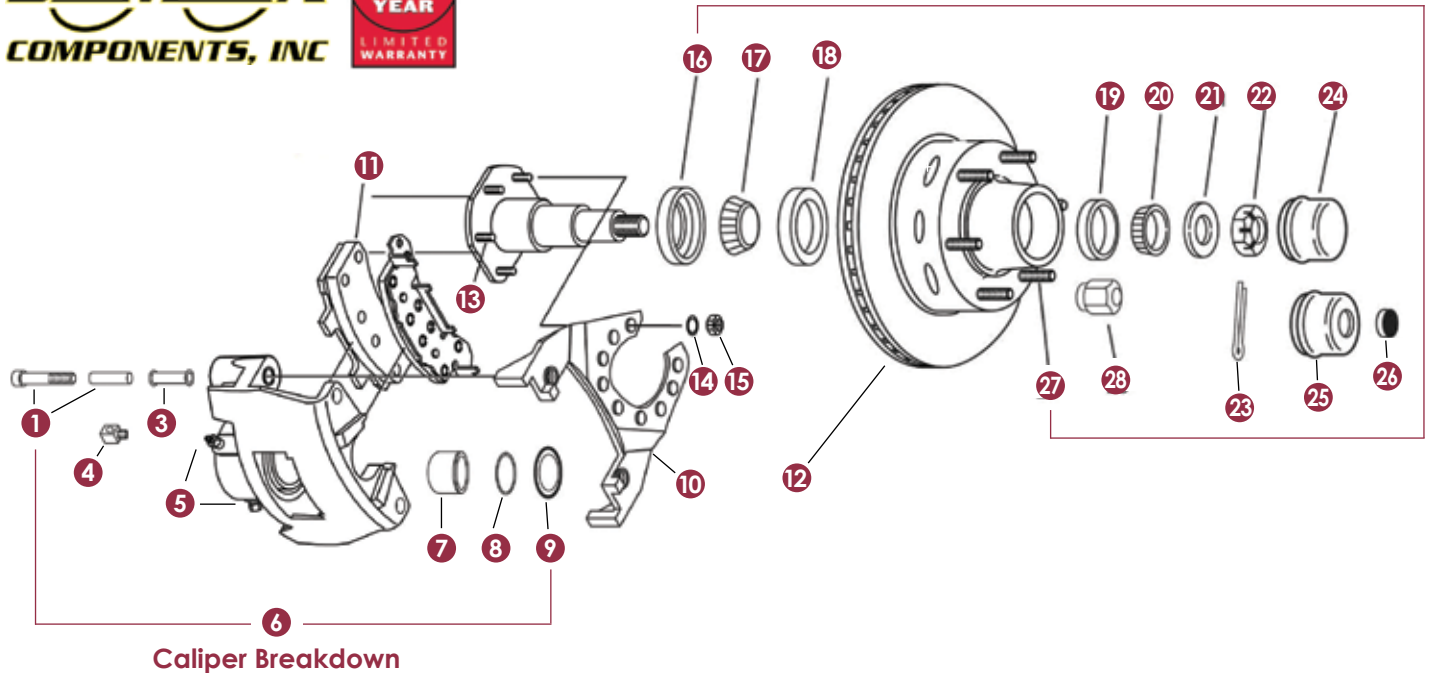
++ Stainless Steel.



# 6,000 LBS. • 12" INTEGRAL DISC BRAKE ASSEMBLY =



Hub Breakdown • Not Included in Kit



- Replacement parts are compatible with other brands.
- Ask sales associate for details.

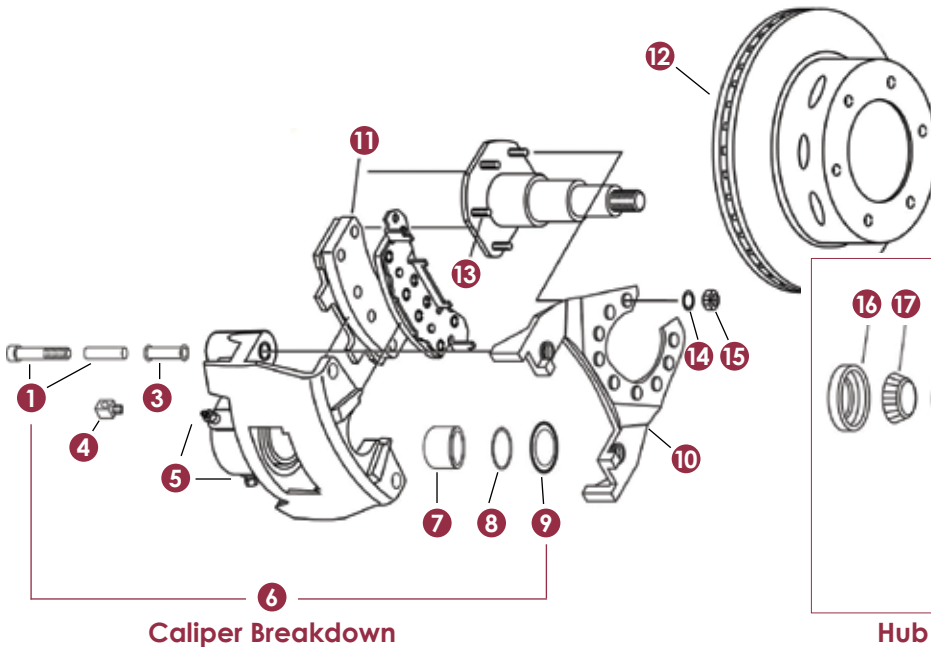
REF NO.	ITEM NO.	PER HUB	DESCRIPTION
1	6450408	2	STAINLESS STEEL GUIDE BOLT & STAINLESS STEEL SLEEVE
3	6450446	2	RUBBER BUSHING FOR GUIDE BOLT
4	6450552	2	ADAPTER PORT - 90 DEGREE
5	6450413	2	BLEED PORT
<b>CALIPER INCLUDES ITEMS 1-9</b>			
6	6450528	1	CALIPER MAXX
	6450529	1	CALIPER STAINLESS STEEL
7	6450548	1	STAINLESS STEEL PISTON
8	6450550	1	PISTON RUBBER SEAL
9	6450551	1	RUBBER DUST BOOT
10	6450471	1	CALIPER MOUNTING BRACKET MAXX
	6450412	1	CALIPER MOUNTING BRACKET SS
11	6450620	1	BRAKE PADS (SEMI-METALLIC)
	6450392	1	BRAKE PADS (CERAMIC)
12	6450605	1	655 12" HUB/ROTOR MAXX
13*	6450240	1	BRAKE MOUNTING BOLT - 3/8"-24
14*	7030112	1	LOCK WASHER - ZINC
15*	6450182	1	NUT - ZINC
16	7700073	1	SEAL 10-36

\* Not included with complete kit. Item sold separately.

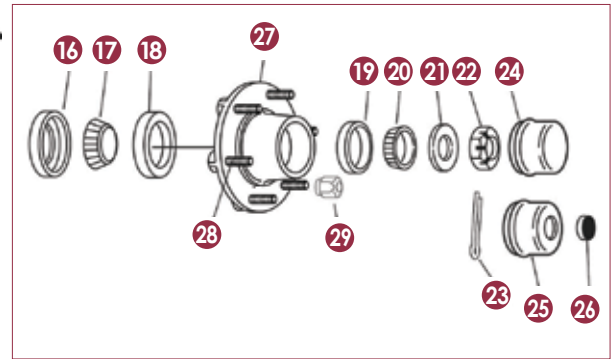
REF NO.	ITEM NO.	PER HUB	DESCRIPTION
17	7800026	1	INNER BEARING 25580
18	7800054	1	INNER RACE 25520
19	7800027	1	OUTER RACE 15123
20	7800055	1	OUTER BEARING 15245
21	**	1	SPINDLE WASHER
22	8750005	1	SPINDLE NUT
23	8750003	1	COTTER PIN
24	7700027	1	GREASE CAP
25	7700016	1	EZLUBE GREASE CAP
26	7700053	1	RUBBER PLUG FOR EXLUBE GREASE CAP
27	7700094	6	1/2" WHEEL STUD FOR GALVANIZED HUB LB 2.0
	7700159	6	1/2" WHEEL STUD FOR GAL-DEX DEXTER HUB 7-150
28	7700045	6	LUG NUT 1/2"
	7700044	6	CHROME LUG NUT 1/2"
	7700202	6	CHROME LUG NUT 1/2" LONG
<b>DISC BRAKE KITS<sup>+</sup></b>			
	6450586	1	DISC BRAKE KIT, MAXX
	6450587	1	DISC BRAKE KIT, MAXX - SS <sup>++</sup> CALIPER

\*\* See Section C-Hubs & Hubs-Drums for required spindle washer.  
<sup>+</sup> Disc brake kits contain parts for ONE COMPLETE axle.  
<sup>++</sup> Stainless Steel.

# 6,000 LBS. • 12" SLIP-ON DISC BRAKE ASSEMBLY =



**Caliper Breakdown**



**Hub Breakdown • Not Included in Kit**

- Replacement parts are compatible with other brands.
- Ask sales associate for details.

REF NO.	ITEM NO.	PER HUB	DESCRIPTION
1	6450408	2	STAINLESS STEEL GUIDE BOLT & STAINLESS STEEL SLEEVE
3	6450446	2	RUBBER BUSHING FOR GUIDE BOLT
4	6450552	2	ADAPTER PORT - 90 DEGREE
5	6450413	2	BLEED PORT
<b>CALIPER INCLUDES ITEMS 1-9</b>			
6	6450528	1	CALIPER MAXX
	6450529	1	CALIPER STAINLESS STEEL
7	6450548	1	STAINLESS STEEL PISTON
8	6450550	1	PISTON RUBBER SEAL
9	6450551	1	RUBBER DUST BOOT
10	6450471	1	CALIPER MOUNTING BRACKET MAXX
	6450412	1	CALIPER MOUNTING BRACKET SS
11	6450620	1	BRAKE PADS (SEMI-METALLIC)
	6450392	1	BRAKE PADS (CERAMIC)
12	6450600	1	655 12" ROTOR MAXX
	6450601	1	655 12" ROTOR STAINLESS STEEL
13*	6450240	1	BRAKE MOUNTING BOLT - 3/8"-24
14*	7030112	1	LOCK WASHER - ZINC
15*	6450182	1	NUT - ZINC
16	7700073	1	SEAL 10-36
17	7800026	1	INNER BEARING 25580
18	7800054	1	INNER RACE 25520
19	7800027	1	OUTER RACE 15123
20	7800055	1	OUTER BEARING 15245

\* Not included with complete kit. Item sold separately.

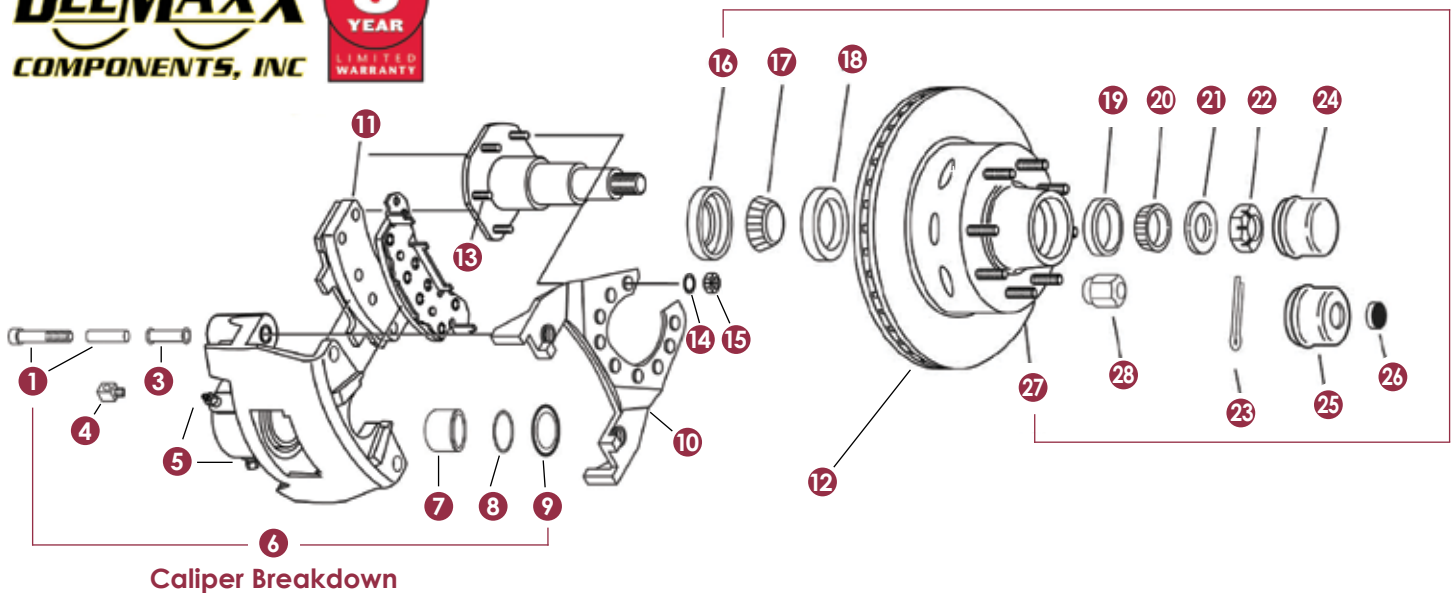
REF NO.	ITEM NO.	PER HUB	DESCRIPTION
21	**	1	SPINDLE WASHER
22	8750005	1	SPINDLE NUT
23	8750003	1	COTTER PIN
24	7700027	1	GREASE CAP
25	7700016	1	EZLUBE GREASE CAP
26	7700053	1	RUBBER PLUG FOR EXLUBE GREASE CAP
27	7650085-GV	1	HUB 2-1/2" STUDS 6 ON 5.5 GALVANIZED
	008-213-51	1	HUB 2-1/2" STUDS 6 ON 5.5 GAL-DEX
28	7700094	6	1/2" WHEEL STUD 2.09 FOR STEEL WHEELS
	7700101	6	1/2" WHEEL STUD 2.50 FOR ALUMINUM WHEELS
	7700159	6	1/2" WHEEL STUD 2.09 FOR STEEL WHEELS
	7700142	6	1/2" WHEEL STUD 2.50 FOR ALUMINUM WHEELS
29	7700045	6	LUG NUT 1/2"
	7700044	6	CHROME LUG NUT 1/2"
	7700202	6	CHROME LUG NUT 1/2" LONG
<b>DISC BRAKE KITS<sup>+</sup></b>			
	6450579	1	DISC BRAKE KIT, MAXX
	6450580	1	DISC BRAKE KIT, MAXX - SS <sup>++</sup> CALIPER
	6450581	1	DISC BRAKE KIT, MAXX - STAINLESS STEEL

\*\* See Section C-Hubs & Hubs-Drums for required spindle washer.  
 + Disc brake kits contain parts for ONE COMPLETE axle.  
 ++ Stainless Steel.

# 7,000 LBS. • 13" INTEGRAL DISC BRAKE ASSEMBLY =



Hub Breakdown • Not Included in Kit



- Replacement parts are compatible with other brands.
- Ask sales associate for details.

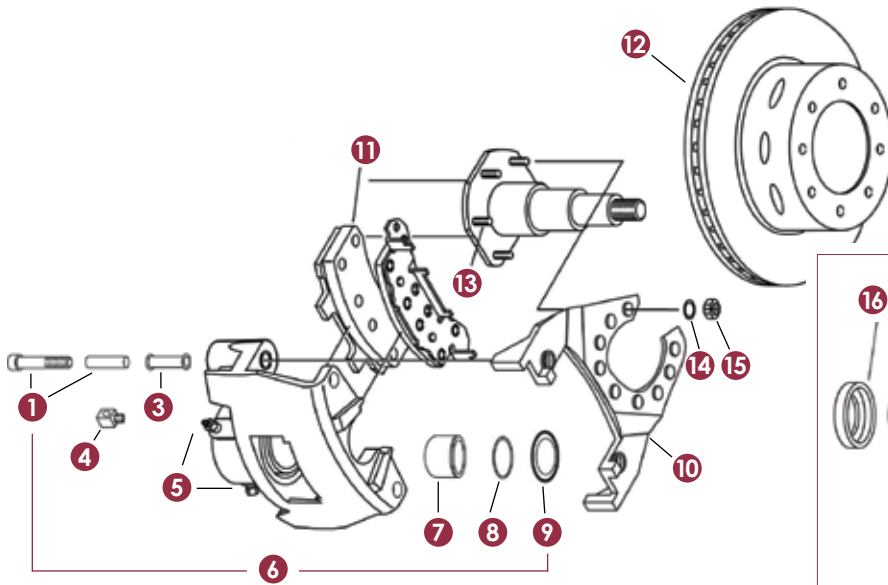
REF NO.	ITEM NO.	PER HUB	DESCRIPTION
1	6450408	2	STAINLESS STEEL GUIDE BOLT & STAINLESS STEEL SLEEVE
3	6450446	2	RUBBER BUSHING FOR GUIDE BOLT
4	6450552	2	ADAPTER PORT - 90 DEGREE
5	6450413	2	BLEED PORT
<b>CALIPER INCLUDES ITEMS 1-9</b>			
6	6450706	1	CALIPER MAXX
	6450707	1	CALIPER STAINLESS STEEL
7	6450896	1	STAINLESS STEEL PISTON
8	6450297	1	PISTON RUBBER SEAL
9	6450821	1	RUBBER DUST BOOT
10	6450407	1	CALIPER MOUNTING BRACKET MAXX
	6450713	1	CALIPER MOUNTING BRACKET SS
11	6450406	1	BRAKE PADS (SEMI-METALLIC)
	6450810	1	BRAKE PADS (CERAMIC)
12	6450702	1	865 13" HUB/ROTOR 1/2" STUDS MAXX
	6450785	1	865 13" HUB/ROTOR 9/16" STUDS MAXX
13*	6450240	1	BRAKE MOUNTING BOLT - 3/8"-24
14*	7030112	1	LOCK WASHER - ZINC
15*	6450182	1	NUT - ZINC
16	7700073	1	SEAL 10-36
17	7800026	1	INNER BEARING 25580
18	7800054	1	INNER RACE 25520
19	7800056	1	OUTER RACE 14276

REF NO.	ITEM NO.	PER HUB	DESCRIPTION
20	7800017	1	OUTER BEARING 14125A
21	**	1	SPINDLE WASHER
22	8750005	1	SPINDLE NUT
23	8750003	1	COTTER PIN
24	7700186	1	GREASE CAP
25	7700018	1	EZLUBE GREASE CAP
26	7700053	1	RUBBER PLUG FOR EXLUBE GREASE CAP
27	7700094	8	1 /2" WHEEL STUD 2.09 FOR STEEL WHEELS
	7700101	8	1 /2" WHEEL STUD 2.50 FOR ALUMINUM WHEELS
	7700123	8	9/16" WHEEL STUD 2.09 FOR STEEL WHEELS
	6450835	8	9/16" WHEEL STUD 2.50 FOR ALUMINUM WHEELS
28	7700045	8	LUG NUT 1/2"
	7700044	8	CHROME LUG NUT 1/2"
	7700202	8	CHROME LUG NUT 1/2" LONG
	7700036	8	LUG NUT 9/16"
	7700201	8	CHROME LUG NUT 9/16"
<b>DISC BRAKE KITS<sup>+</sup></b>			
	6450676	1	DISC BRAKE KIT, MAXX
	6450677	1	DISC BRAKE KIT, MAXX - SS <sup>++</sup> CALIPER
	6450681	1	DISC BRAKE KIT, MAXX 9/16" STUDS

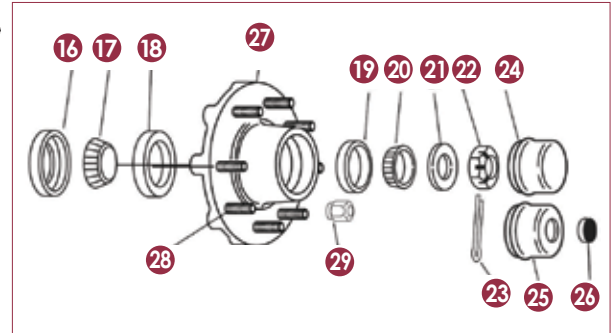
\* Not included with complete kit. Item sold separately.

\*\* See Section C-Hubs & Hubs-Drums for required spindle washer.  
 + Disc brake kits contain parts for ONE COMPLETE axle.  
 Standard kit is 1/2" studs. ++ Stainless Steel.

# 7,000 LBS. • 13" SLIP-ON DISC BRAKE ASSEMBLY =



**Caliper Breakdown**



**Hub Breakdown • Not Included in Kit**

- Replacement parts are compatible with other brands.
- Ask sales associate for details.

REF NO.	ITEM NO.	PER HUB	DESCRIPTION
1	6450408	2	STAINLESS STEEL GUIDE BOLT & STAINLESS STEEL SLEEVE
3	6450446	2	RUBBER BUSHING FOR GUIDE BOLT
4	6450552	2	ADAPTER PORT - 90 DEGREE
5	6450413	2	BLEED PORT
<b>CALIPER INCLUDES ITEMS 1-9</b>			
6	6450706	1	CALIPER MAXX
	6450707	1	CALIPER STAINLESS STEEL
7	6450896	1	STAINLESS STEEL PISTON
8	6450297	1	PISTON RUBBER SEAL
9	6450821	1	RUBBER DUST BOOT
10	6450407	1	CALIPER MOUNTING BRACKET MAXX
	6450713	1	CALIPER MOUNTING BRACKET SS
11	6450406	1	BRAKE PADS (SEMI-METALLIC)
	6450810	1	BRAKE PADS (CERAMIC)
12	6450697	1	865 13" ROTOR MAXX
	6450698	1	865 13" ROTOR STAINLESS STEEL
13*	6450240	1	BRAKE MOUNTING BOLT - 3/8"-24
14*	7030112	1	LOCK WASHER - ZINC
15*	6450182	1	NUT - ZINC
16	7700073	1	SEAL 10-36
17	7800026	1	INNER BEARING 25580
18	7800054	1	INNER RACE 25520
19	7800056	1	OUTER RACE 14276

\* Not included with complete kit. Item sold separately.

REF NO.	ITEM NO.	PER HUB	DESCRIPTION
20	7800017	1	OUTER BEARING 14125A
21	**	1	SPINDLE WASHER
22	8750005	1	SPINDLE NUT
23	8750003	1	COTTER PIN
24	7700186	1	GREASE CAP
25	7700018	1	EZLUBE GREASE CAP
26	7700053	1	RUBBER PLUG FOR EXLUBE GREASE CAP
27	7650083-GV	1	HUB 2-1/2" STUD 8 ON 6.5 GALVANIZED
28	7700094	8	1/2" WHEEL STUD 2.09 FOR STEEL WHEELS
	7700101	8	1/2" WHEEL STUD 2.50 FOR ALUMINUM WHEELS
	7700159	8	1/2" WHEEL STUD 2.09 FOR STEEL WHEELS
	7700142	8	1/2" WHEEL STUD 2.50 FOR ALUMINUM WHEELS
29	7700045	8	LUG NUT 1/2"
	7700044	8	CHROME LUG NUT 1/2"
	7700202	8	CHROME LUG NUT 1/2" LONG
<b>DISC BRAKE KITS<sup>+</sup></b>			
	6450657	1	DISC BRAKE KIT, MAXX
	6450658	1	DISC BRAKE KIT, MAXX - SS <sup>++</sup> CALIPER
	6450659	1	DISC BRAKE KIT, MAXX - STAINLESS STEEL

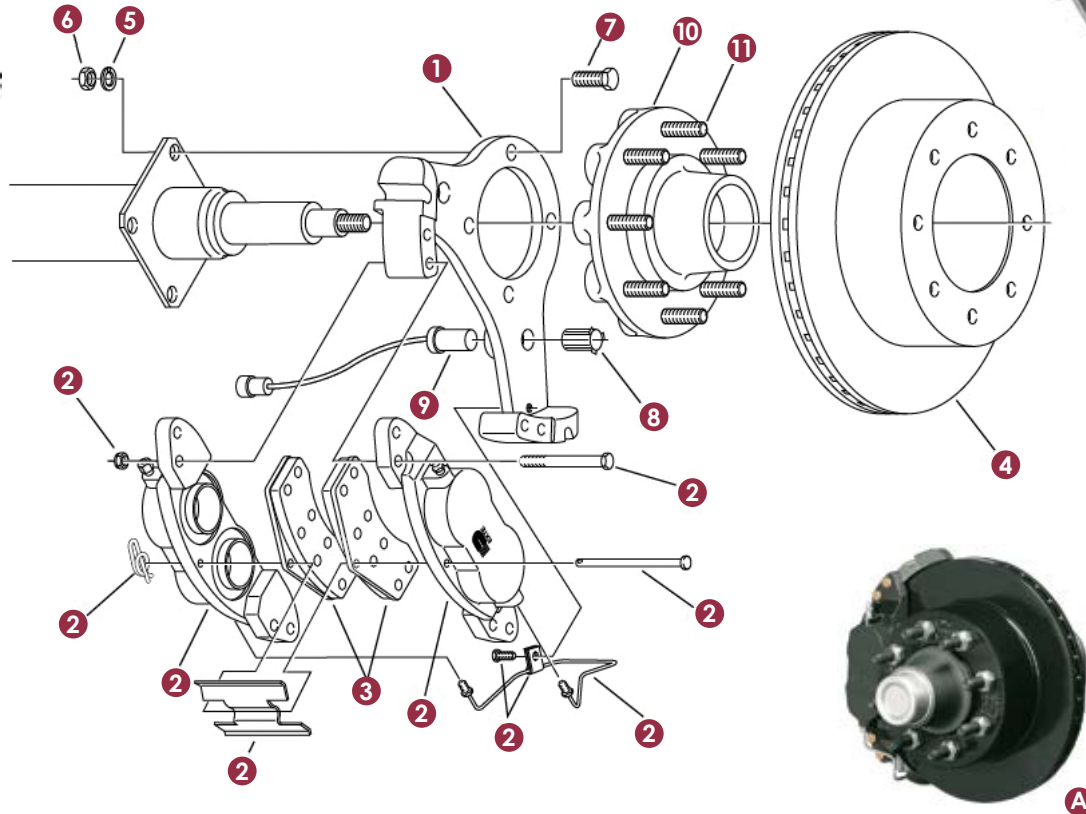
\*\* See Section C-Hubs & Hubs-Drums for required spindle washer.

+ Disc brake kits contain parts for ONE COMPLETE axle.

Standard kit is 1/2" studs. ++ Stainless Steel.



# 8,000 LBS. • 13" SLIP-ON DISC BRAKE ASSEMBLY



REF NO.	ITEM NO.	ID NO.	QTY.*	DESCRIPTION
A	6450512	K71-635-00	1	8K SLIP-ON RETROFIT DISC BRAKE KIT (1-WHEEL)
1	6450373	090-003-01	1	ANCHOR YOKE
2	6450298	K71-630-00	1	CALIPER ASSEMBLY KIT LH OR RH CONTAINS:
		006-045-00	4	CALIPER MOUNTING NUT
		007-254-00	4	CALIPER MOUNTING BOLT
		019-019-00	1	COTTER RING
		027-060-00	1	TUBE CLAMP
		046-145-00	1	ANTI-RATTLE SPRING
		054-092-00	1	BLEEDER SCREW
		054-094-00	1	ADAPTER FITTING
		056-038-00	1	PAD RETAINING PIN
		071-513-00	1	CROSS OVER HYDRAULIC LINE
			1	(YOKES WITHOUT NOTCH)
		071-518-00	1	CROSS OVER HYDRAULIC LINE
			1	(YOKES WITH NOTCH)
		087-002-00	1	HEX BOLT
		089-003-02	2	ASSEMBLED CALIPER HALF

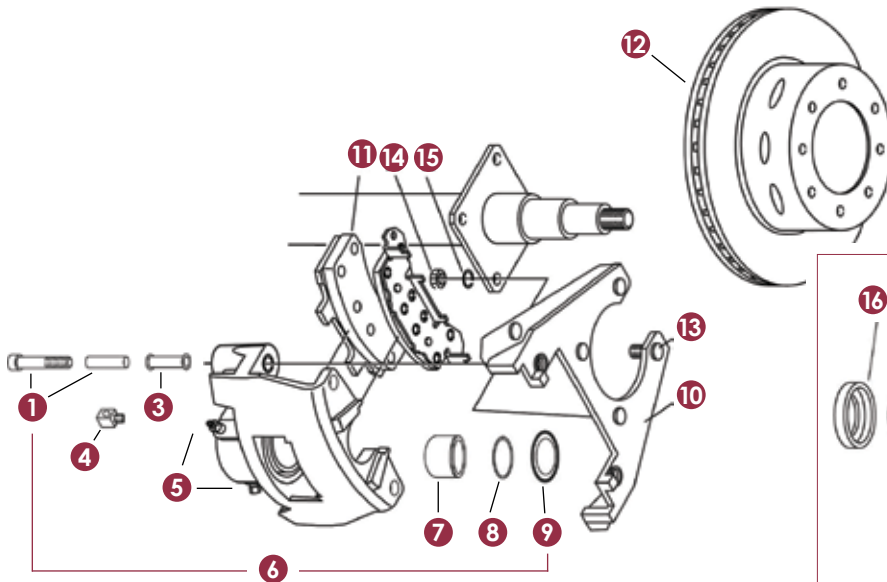
REF NO.	ITEM NO.	ID NO.	QTY.*	DESCRIPTION
3	6450287	K71-629-00	1	BRAKE PAD KIT
4	6450315	K71-631-00	1	ROTOR KIT
5	9000251	005-058-00	4	LOCK WASHER
6	6450176-02	006-129-01	4	HEX NUT
7	6450019	007-097-00	4	BRAKE MOUNTING BOLT
8	6050055	097-002-00	1	ABS SENSOR RETAINING CLIP
9	6050079	097-004-00	1	ABS SENSOR (STRAIGHT)
<b>DISC BRAKE HUBS &amp; STUDS**</b>				
10	7650234	008-399-05	1	GREASE 9/16" STUDS 8 ON 6.5
	7650247	008-399-06	1	OIL 9/16" STUDS 8 ON 6.5
	7650257	008-399-07	1	GREASE 5/8" STUDS 8 ON 6.5
	7650256	008-399-08	1	OIL 5/8" STUDS 8 ON 6.5
11	7700217	007-257-00	8	9/16" X 2.50 PRESS-IN STUD
	7700107	007-115-00	8	5/8" X 3.16 PRESS-IN STUD

\*\* See Section C-Hubs & Hubs-Drums for more details.

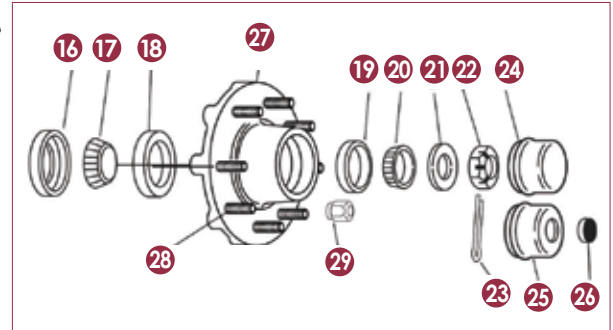
\* Quantity per brake.



# 8,000 LBS. • 13" SLIP-ON DISC BRAKE ASSEMBLY =



**Caliper Breakdown**



**Hub Breakdown • Not Included in Kit**

- Replacement parts are compatible with other brands.
- Ask sales associate for details.

REF NO.	ITEM NO.	PER HUB	DESCRIPTION
1	6450408	2	STAINLESS STEEL GUIDE BOLT & STAINLESS STEEL SLEEVE
3	6450446	2	RUBBER BUSHING FOR GUIDE BOLT
4	6450552	2	ADAPTER PORT - 90 DEGREE
5	6450413	2	BLEED PORT
<b>CALIPER INCLUDES ITEMS 1-9</b>			
6	6450706	1	CALIPER MAXX
	6450707	1	CALIPER STAINLESS STEEL
7	6450896	1	STAINLESS STEEL PISTON
8	6450297	1	PISTON RUBBER SEAL
9	6450821	1	RUBBER DUST BOOT
10	6450800	1	CALIPER MOUNTING BRACKET MAXX
	6450801	1	CALIPER MOUNTING BRACKET SS
11	6450406	1	BRAKE PADS (SEMI-METALLIC)
	6450810	1	BRAKE PADS (CERAMIC)
12	6450780	1	865 13" ROTOR MAXX 5/8"
	6450781	1	865 13" ROTOR STAINLESS STEEL 5/8"
	6450776	1	865 13" ROTOR MAXX 9/16"
	6450777	1	865 13" ROTOR STAINLESS STEEL 9/16"
13*	6450240	1	BRAKE MOUNTING BOLT - 3/8"-24
14*	6450182	1	LOCK WASHER - ZINC
15*	6450250	1	NUT - ZINC
16	7700073	1	SEAL 10-36
17	7800026	1	INNER BEARING 25580
18	7800054	1	INNER RACE 25520
19	7800057	1	OUTER RACE 02420

\* Not included with complete kit. Item sold separately.

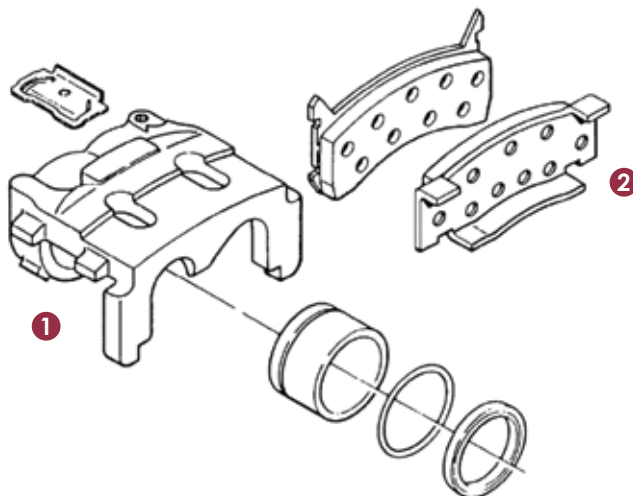
REF NO.	ITEM NO.	PER HUB	DESCRIPTION
20	7800028	1	OUTER BEARING 02475
21	**	1	SPINDLE WASHER
22	8750005	1	SPINDLE NUT
23	8750003	1	COTTER PIN
24	7700186	1	GREASE CAP
25	7700018	1	EZLUBE GREASE CAP
26	7700053	1	RUBBER PLUG FOR EXLUBE GREASE CAP
27	7650140	1	HUB 2-1/2" STUD 8 ON 6.5 GAL-DEX
28	7700217	8	9/16" WHEEL STUD 2.50 FOR ALUMINUM WHEELS
	6450355	8	5/8" WHEEL STUD 3.165" PRESS-IN
29	7700036	8	LUG NUT 9/16"
	7700201	8	CHROME LUG NUT 9/16"
	7700048	8	LUG NUT 5/8"
<b>DISC BRAKE KITS<sup>+</sup></b>			
	6450752	1	DISC BRAKE KIT, MAXX 5/8"
	6450753	1	DISC BRAKE KIT, MAXX - SS** CALIPER 5/8"
	6450755	1	DISC BRAKE KIT, MAXX - STAINLESS STEEL 5/8"
	6450745	1	DISC BRAKE KIT, MAXX 9/16"
	6450747	1	DISC BRAKE KIT, MAXX - SS** CALIPER 9/16"
	6450748	1	DISC BRAKE KIT, MAXX - STAINLESS STEEL 9/16"

\*\* See Section C-Hubs & Hubs-Drums for required spindle washer.  
 + Disc brake kits contain parts for ONE COMPLETE axle.  
 Standard kit is 9/16" studs. ++ Stainless Steel.

# 10K - 12K LBS. • 13" DISC BRAKE ASSEMBLY =

**2** YEAR WARRANTY

**AL-KO**  
GENUINE PARTS  
By DEXTER



REF NO.	ITEM NO.	ID NO.	QTY.*	DESCRIPTION
1	6450092	09231512	1	LH CALIPER LESS PADS
	6450095	09231511	1	RH CALIPER LESS PADS
2	6450039	KSL116	1	REPLACEMENT DISC PAD KIT

\* Quantity per brake.



# 9K-10K LBS. • 13" GD INTEGRAL DISC BRAKE ASSEMBLY =

**DEEMAXX**  
COMPONENTS, INC  
**3** YEAR LIMITED WARRANTY



ITEM NO.	DESCRIPTION
6450414	7-BOLT FLANGE 9K-10KGD DISC BRAKE KIT

Designed specifically to work with 17.5" Dual Tandems Only.

HYDRAULIC DISC BRAKE ASSEMBLIES

# 10K - 12K HEAVY DUTY HYDRAULIC DISC BRAKES



Universal Caliper and Universal Brake Pads eliminate the need to stock right-hand and left-hand parts.

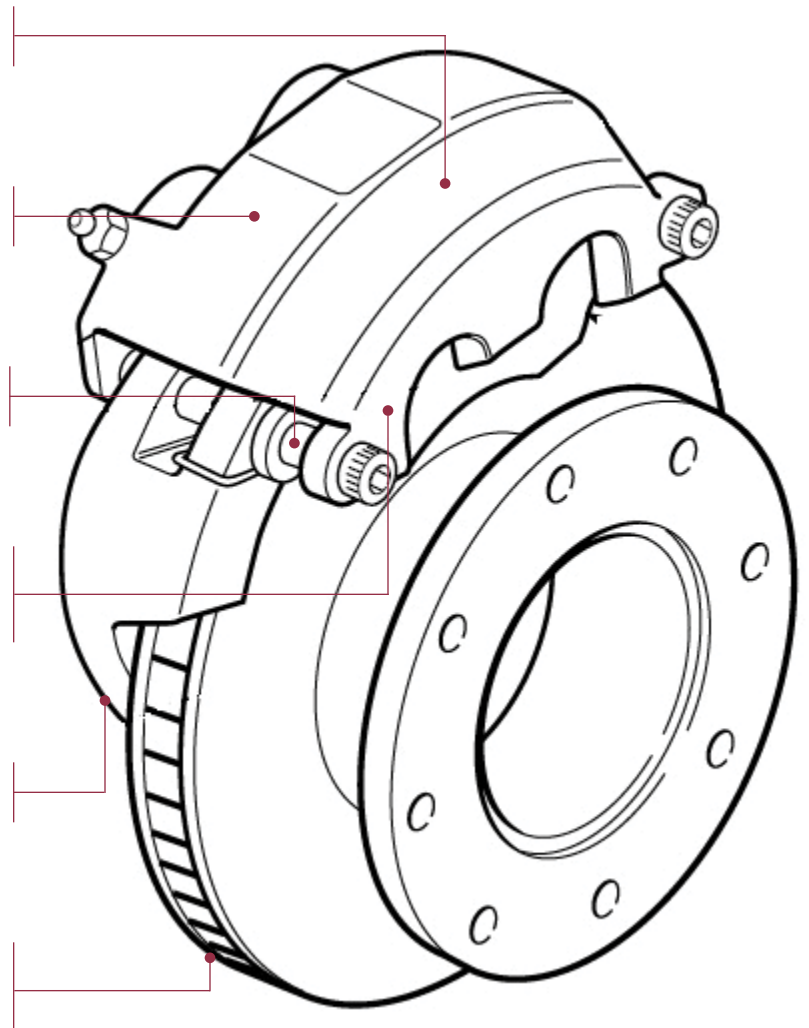
Caliper Pistons (underneath housing) are larger, for greater brake torque. Dual Pistons per caliper.

Corrosion-Resistant Bolts.

Brake Shoes of heavy steel are bonded to brake linings for extended lining life. Linings are truck type for improved stopping force and extended service life.

Two-Piece Hub and Rotor Design allows rotor replacement without requiring new hub.

Dexter Ventilated Disc Rotors. High grade alloy iron to prevent heat checking and distortion. Ventilation provides great heat dissipation.



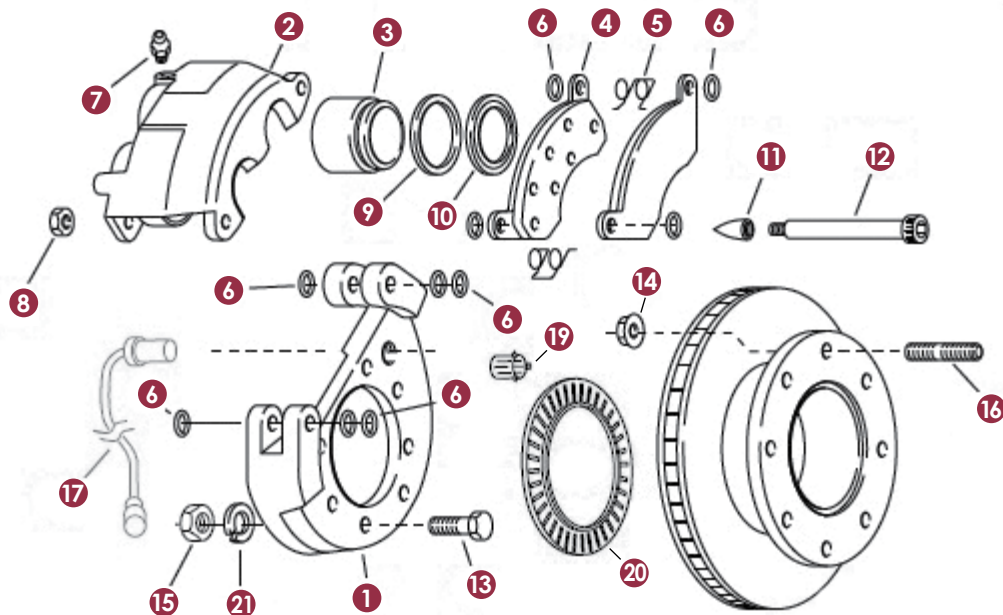
HYDRAULIC DISC BRAKE ASSEMBLIES



MADE IN  
  
U. S. A.



# 10K - 12K LBS. • 13" DISC BRAKE ASSEMBLY =



• For 10K-12K Sprung & Torflex™ 13G, 13D & 14T

REF NO.	ITEM NO.	ID NO.	QTY.*	DESCRIPTION
1	6450252	090-002-02	1	ANCHOR YOKE ASSEMBLY (INCLUDES ITEM #6)
2	6450091	089-002-02	1	CALIPER ASSEMBLY (INCLUDES ITEMS #6,3,9,10)
3	6450093	054-066-00	2	CALIPER PISTON
12	6450200	007-186-00	2	SHOULDER SCREW 5/8" X 5"
13	6450020	007-116-00	7	HEX SCREW 7/16"-20 X 1-3/4"
14	9000137	006-046-00	8	FLANGE NUT
15	6450181	006-017-00	7	HEX NUT 7/16"-20
16	6450242	025-014-00	8	ROTOR MOUNTING STUD
17**	6050079	097-004-00	1	ABS SENSOR (STRAIGHT)
19**	6050055	097-002-00	1	ABS SENSOR RETAINING CLIP
20**	6050071	024-203-00	1	ABS TONE RING
21	7030116	005-008-00	7	LOCK WASHER
A	6450025	K71-181-00	1	CALIPER REPAIR KIT CONTAINS:
6	010-062-00		4	"O" RING
7	054-069-00		1	BLEEDER SCREW
9	054-067-00		2	CALIPER SEAL
10	054-068-00		2	DUST BOOT
B	6450109	K71-180-00	1	DISC BRAKE REPLACEMENT PAD KIT CONTAINS:
4	091-003-00		4	BRAKE PAD
5	046-105-00		4	ANTI-RATTLE SPRING
6	010-062-00		20	"O" RING
8	006-125-00		4	HEX LOCKNUT
11	071-182-00		1	INSTALLATION TOOL

\* Quantity per brake.

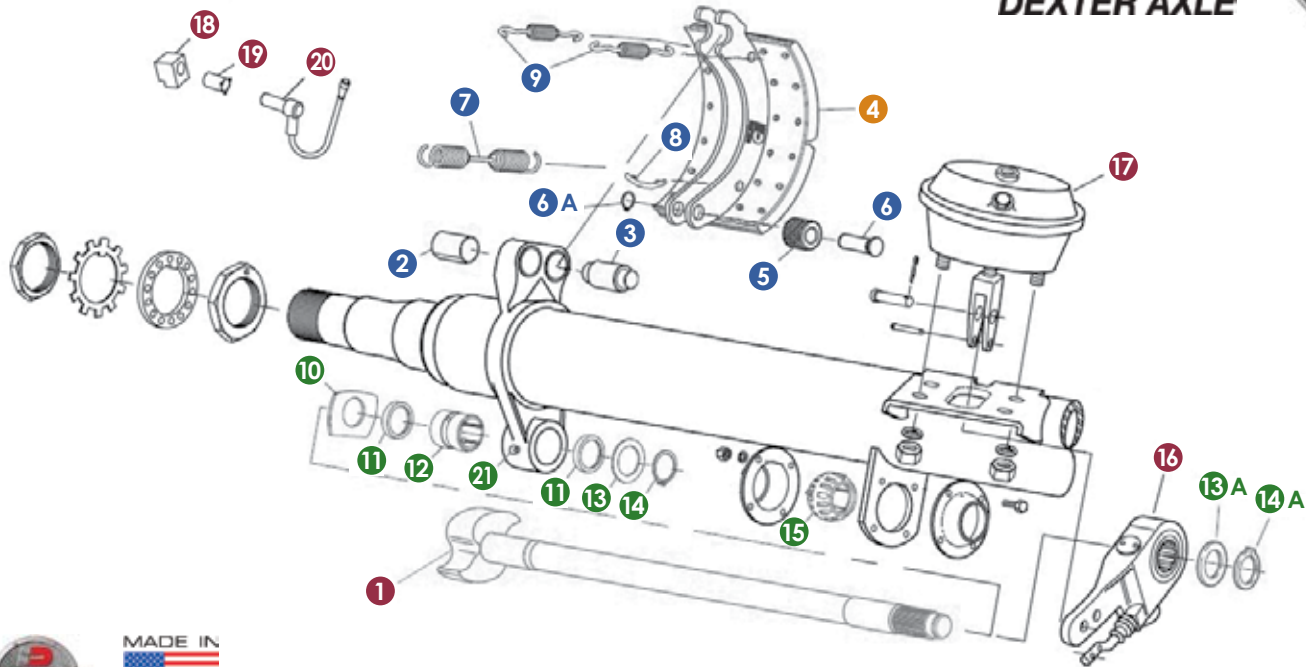
\*\* Not applicable on Torflex.



HYDRAULIC DISC BRAKE ASSEMBLIES



# 10K - 27.5K LBS. • 12 1/4" 'PQ' AIR BRAKE COMPONENTS



## GENERAL

REF NO.	ITEM NO.	ID NO.	QTY.*	DESCRIPTION
1	<b>See Page B-61 for Camshaft Options</b>			
16	6050032	055-040-99	1	AUTO SLACK ADJUSTER - 28 SPLINE
NP	6151686	034-261-07	1	TYPE 20/24 SPRING BRAKE (10K)
NP	6160355	034-060-07	1	TYPE 24/30 SPRING BRAKE (12K-15K)
17**	6151682	034-058-01	1	TYPE 30/30 SPRING BRAKE (22.5K-27.5K)
NP	6050070	024-101-00	1	ABS SENSOR LOWER MOUNT BLOCK
18	6050072	024-101-01	1	ABS SENSOR UPPER MOUNT BLOCK
19	6050055	097-002-00	1	ABS SENSOR RETAINER CLIP
20	6050056	097-007-00	1	90° ABS SENSOR - WABCO
NP	6050071	024-203-00	1	ABS TONE RING (9K-15K)

## SHOE / LINING ASSEMBLY (LESS ROLLERS) • 12-1/4" 'PQ' STYLE AIR BRAKES

REF NO.	ITEM NO.	ID NO.	QTY.*	DESCRIPTION
4	6450262	040-321-01	2	10K 4" ASSEMBLY
4	6450263	040-322-01	2	12K-15K 5" ASSEMBLY
4	6450273	040-320-01	2	22.5K-27.5K 7-1/2" ASSEMBLY

\* Quantity per brake. Double quantity to order by axle.

\*\* Pictured is only the Type 30 Service Brake.

NP = Not Pictured

## SHOE HARDWARE KIT • 6450274 • K71-460-00 • 'PQ' STYLE KIT

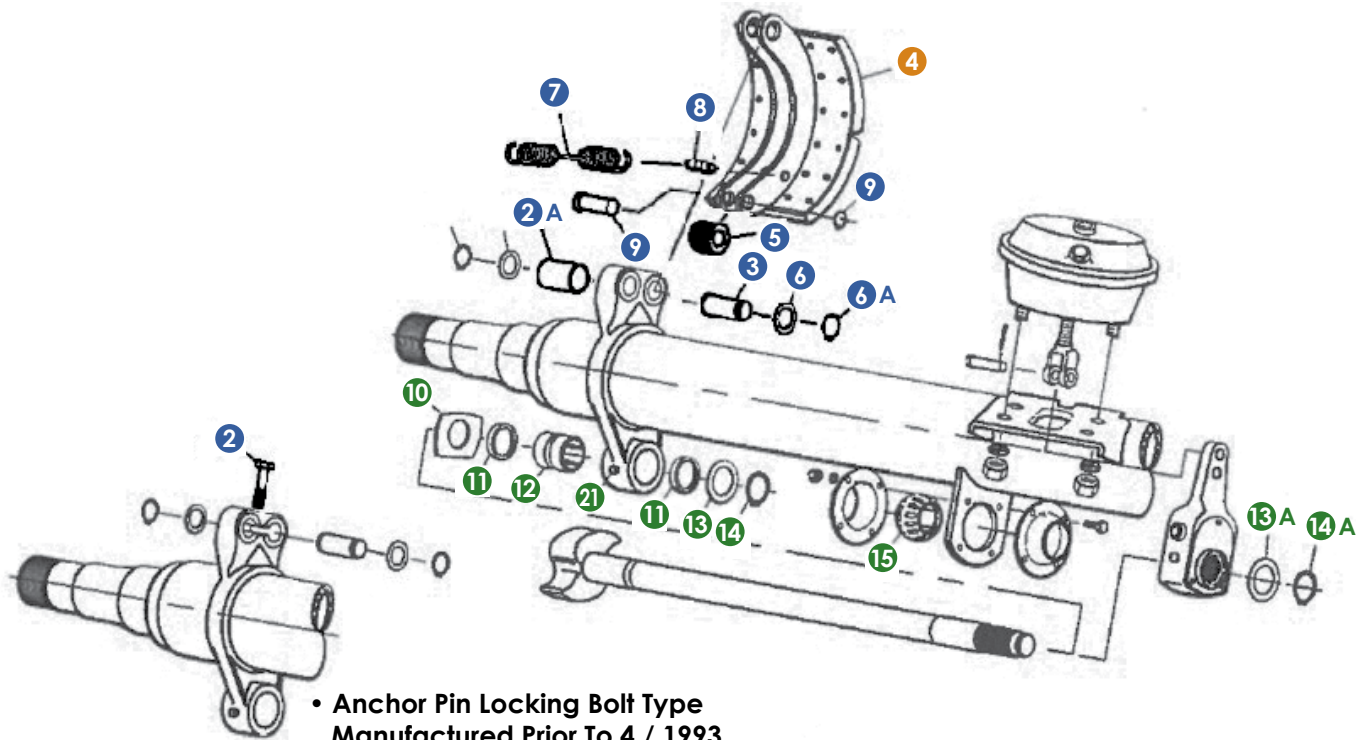
REF NO.	ITEM NO.	ID NO.	QTY.*	DESCRIPTION
ns	-	005-076-00	2	WASHER
2	-	014-068-00	2	BUSHING
3	-	056-017-00	2	ANCHOR PIN
5	-	014-057-00	2	ROLLER
6	-	056-010-00	2	ROLLER RETAINER
6A	-	069-018-00	2	RETAINER RING
7	-	046-092-00	1	SHOE RETAINER SPRING
8	-	056-018-00	2	RETRACTOR SPRING PIN RETAINER
9	-	046-097-00	2	SHOE KEEPER SPRING
NP	-	059-553-00	1	INSTRUCTION SHEET

## CAMSHAFT REPAIR KIT • 6450096 • K71-101-00 • 'P' OR 'PQ' STYLE KIT

REF NO.	ITEM NO.	ID NO.	QTY.*	DESCRIPTION
10	-	005-074-00	1	D' WASHER CAMSHAFT
11	-	010-052-00	2	SEAL
12	-	014-056-00	1	CAMSHAFT BUSHING
13	-	005-075-00	2	CAMSHAFT WASHER
13A	-	005-134-00	1	PLAIN WASHER
14	-	069-020-00	2	CAMSHAFT RETAINER
14A	-	069-078-00	1	SNAP RING
15	-	014-058-00	1	CAMSHAFT SUPPORT BUSHING
21	-	061-006-00	1	GREASE FITTING
NP	-	059-663-00	1	INSTRUCTION SHEET

AIR BRAKE ASSEMBLIES

# 10K - 27.5K LBS. • 12¼" 'PQ' AIR BRAKE COMPONENTS



• Anchor Pin Locking Bolt Type  
Manufactured Prior To 4 / 1993

AIR BRAKE ASSEMBLIES

### 6450036 • K71-098-00 • 'P' STYLE KIT • CONTAINS THE FOLLOWING:

REF NO.	ITEM NO.	ID NO.	QTY.*	DESCRIPTION
2**		007-137-00	1	ANCHOR PIN CLAMPING SCREW
2A <sup>+</sup>		014-104-00	2	SPIDER ANCHOR PIN BUSHING
3		056-011-00	2	ANCHOR PIN
5		014-057-00	2	ROLLER
6		005-072-00	4	WASHER (10K)
6A		069-019-00	4	ANCHOR PIN RETAINER
7		046-092-00	1	RETRACTOR SPRING
8		056-012-00	2	RETRACTOR SPRING PIN RETAINER
9		056-010-00	2	ROLLER PIN
NP		005-073-00	4	WASHER (12K & 15K)
NP		005-076-00	2	ROLLER PIN SPACER
NP		056-552-00	1	INSTRUCTION SHEET

\* Quantity per brake. Double quantity to order by axle.  
+ Not used before April 1993    \*\* Not used after April 1993

### CAMSHAFT REPAIR KIT • 6450096 • K71-101-00 • 'P' OR 'PQ' STYLE KIT

REF NO.	ITEM NO.	ID NO.	QTY.*	DESCRIPTION
10		005-074-00	1	D' WASHER CAMSHAFT
11		010-052-00	2	SEAL
12		014-056-00	1	CAMSHAFT BUSHING
13		005-075-00	2	CAMSHAFT WASHER
13A		005-134-00	1	PLAIN WASHER
14		069-020-00	2	CAMSHAFT RETAINER
14A		069-078-00	1	SNAP RING
15		014-058-00	1	CAMSHAFT SUPPORT BUSHING
21		061-006-00	1	GREASE FITTING
NP		059-663-00	1	INSTRUCTION SHEET

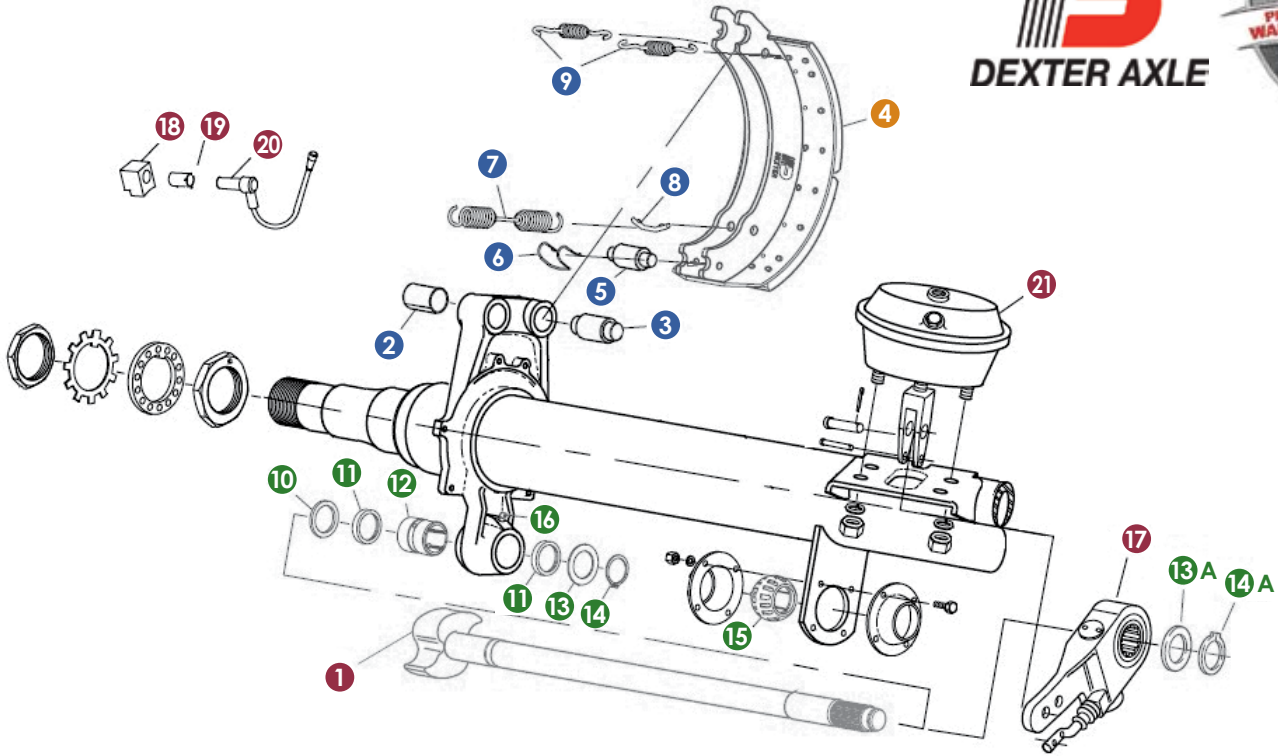
### SHOE & BLOCK 12-1/4" 'P' STYLE AIR BRAKES

REF NO.	ITEM NO.	ID NO.	QTY.*	DESCRIPTION
4	6450261	040-164-01	2	10K 4" SHOE & BLOCK

NP = Not Pictured



# 22.5K - 27.5K LBS. • 16½" 'Q' AIR BRAKE COMPONENTS



GENERAL				
REF NO.	ITEM NO.	ID NO.	QTY.*	DESCRIPTION
1	<b>See Page B-60 for Camshaft Options</b>			
17	6050068	055-040-98	1	AUTO SLACK ADJUSTER - 28 SPLINE
21**	6151682	034-058-01	1	TYPE 30/30 SPRING BRAKE (22.5K-27.5K)
NP	6050070	024-101-00	1	ABS SENSOR LOWER MOUNT BLOCK
18	6050072	024-101-01	1	ABS SENSOR UPPER MOUNT BLOCK
19	6050055	097-002-00	1	ABS SENSOR RETAINER CLIP
20	6050056	097-007-00	1	90° ABS SENSOR - WABCO

AIR BRAKE CAMSHAFT REPAIR KIT • 6450284 • K71-135-00 • 'Q' STYLE KIT				
REF NO.	ITEM NO.	ID NO.	QTY.*	DESC
10	-	005-096-00	1	WASHER CAMSHAFT
11	-	010-052-00	2	SEAL
12	-	014-056-00	1	CAMSHAFT BUSHING
13	-	005-097-00	1	WASHER
13A	-	005-134-00	1	PLAIN WASHER
14	-	069-020-00	2	CAMSHAFT RETAINER
14A	-	069-078-00	1	SNAP RING
15	-	014-058-00	1	CAMSHAFT SUPPORT BUSHING
16	-	061-006-00	1	GREASE FITTING
NP	-	059-554-00	1	INSTRUCTION SHEET

SHOE HARDWARE KIT • 6450021 • K71-136-00 • 'Q' STYLE KIT				
REF NO.	ITEM NO.	ID NO.	QTY.*	DESCRIPTION
2	-	014-068-00	2	SPIDER ANCHOR PIN BUSHING
3	-	056-017-00	2	ANCHOR PIN
5	-	014-065-00	2	ROLLER
6	-	071-122-00	2	ROLLER RETAINER
7	-	046-096-00	1	SHOE RETAINER SPRING
8	-	056-018-00	2	RETRACTOR SPRING PIN RETAINER
9	-	046-097-00	2	SHOE KEEPER SPRING
NP	-	059-553-00	1	INSTRUCTION SHEET

SHOE / LINING ASSEMBLY (LESS ROLLERS) • 16-1/2" 'Q' STYLE AIR BRAKES				
REF NO.	ITEM NO.	ID NO.	QTY.*	DESCRIPTION
4	6450285	040-180-00	2	22.5K-27.5K 7-1/2" ASSEMBLY

\* Quantity per brake. Double quantity to order by axle.

\*\* Pictured is only the Type 30 Service Brake.

NP = Not Pictured



AIR BRAKE ASSEMBLIES

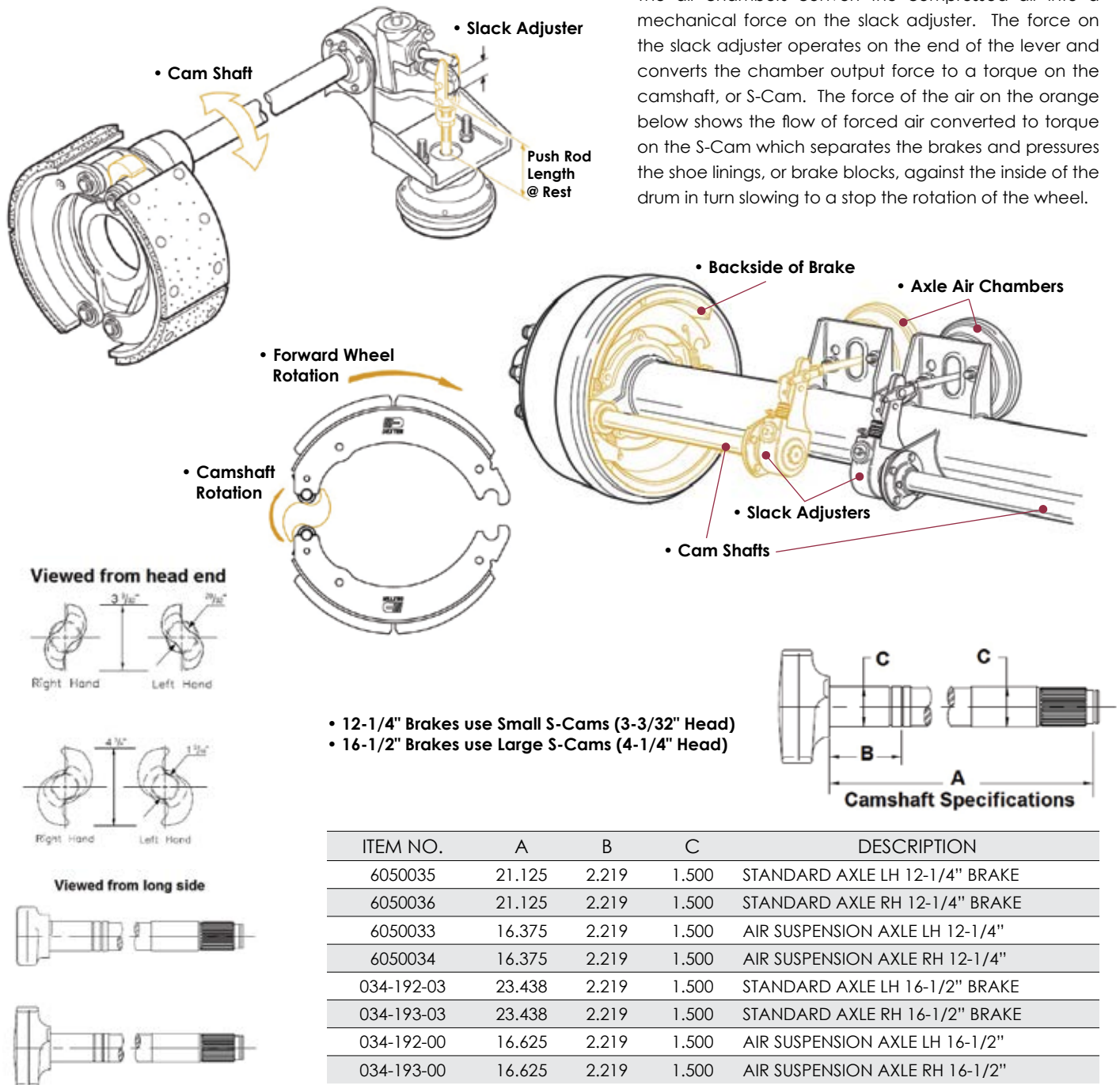


# S-CAM AIR BRAKE COMPONENTS



Trailer air brakes are operated by an air supply through a series of relay and check valves. When breaking is desired, the air is supplied to the axle air chamber which applies a force that is multiplied by the slack adjuster lever arm length. This force is transmitted rotationally through the camshaft which, through the geometry of the S-head, spreads the brake shoes to contact the brake drum surface. The air brake systems are an effective, very durable braking system for use in high mileage or extreme operating conditions. They can be outfitted with ABS (Anti-lock brake systems), automatic slack adjusters and spring brakes to comply with Federal Motor Vehicle Safety Standard Part 571.121.

The air chambers convert the compressed air into a mechanical force on the slack adjuster. The force on the slack adjuster operates on the end of the lever and converts the chamber output force to a torque on the camshaft, or S-Cam. The force of the air on the orange below shows the flow of forced air converted to torque on the S-Cam which separates the brakes and pressures the shoe linings, or brake blocks, against the inside of the drum in turn slowing to a stop the rotation of the wheel.



16-1/2" Brake Camshafts are special order only.